

Data Sheet

PR015xxVBHC

Page 1/5

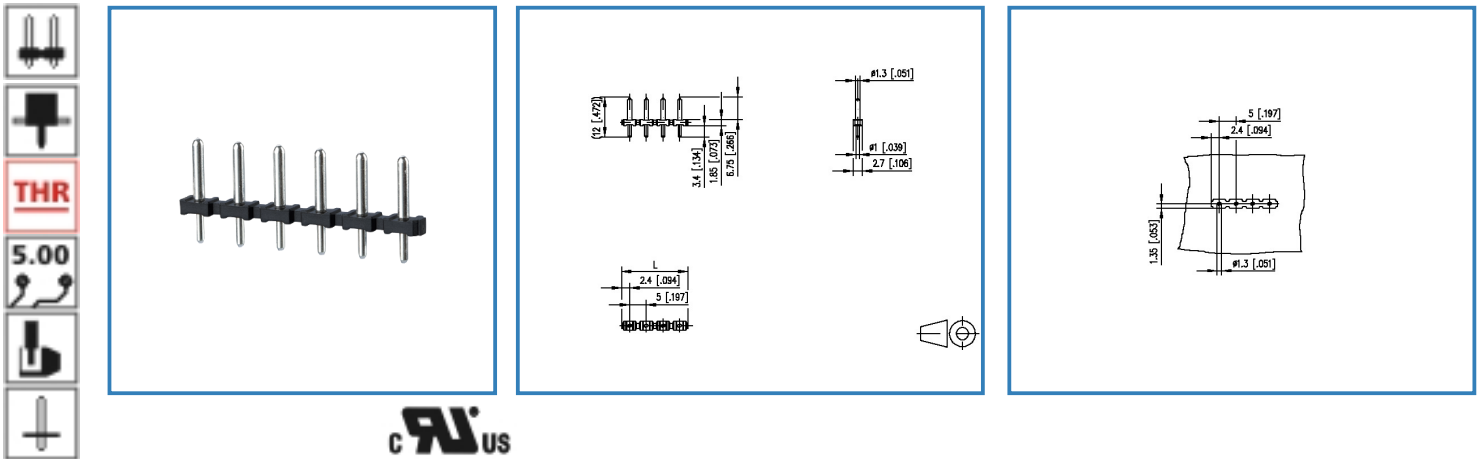
P/N

310171xx

xx=number of poles

2017/02/10

Illustration



see enlarged drawing at the end of the document

Product specification

- pin header, THR solderable
- centerline 5.00 mm, direction of connection vertical 0°
- fittable without loss of poles
- color black
- Tape & Reel packaging

Data Sheet

PR015xxVBHC

Page 2/5

P/N

310171xx

xx=number of poles


2017/02/10

Technical Data

General Data

Solder pin length	3.4 mm		
min. number of poles	2		
max. number of poles	24		
Insulating material class	CTI 400		
clearance/creepage dist.	3.7 mm		
protection category	IP 00		
Overvoltage category	III	III	II
Pollution degree	3	2	2
Rated voltage	250 V	500 V	500 V
Rated test voltage	4.0 kV	4 kV	4.0 kV

Approvals

 V / A	300 / 15
SEV Reg 130002	10 A / 250 V / 4 kV / 3 / IEC 61984

Material

insulating material	PA66/6T
flammability class	V0
Glow-Wire Flammability GWFI	960
Glow-Wire Flammability GWIT	775
contact pin material	CuZn
contact pin surface	Ni + Ag

Climatic properties

upper limit temperature	105 °C
lower limit temperature	-40 °C

General

solderability	Acc. to IPC/JEDEC J-STD-020D-MSL 1
Tolerance	ISO 2768 -mH

Data Sheet

PR015xxVBHC

Page 3/5

P/N

310171xx

xx=number of poles

2017/02/10

Matching Part to

P/N	Product name
310071	RP025xxIBWC Typ 007
310261	FT085xxVBFC Type 026
310771	RP025xxIBWU Typ 077
311071	RP025xxHBWC Typ 107
ASP025	SP025xxHDNC ASP025
ASP0250404	Terminal block ASP02
ASP145XX22-131 (on request)	SP145xxHBPC0001
ASP155XX22-131 (on request)	SP155xxHBPC0001



Data Sheet

PR015xxVBHC

Page 4/5

P/N

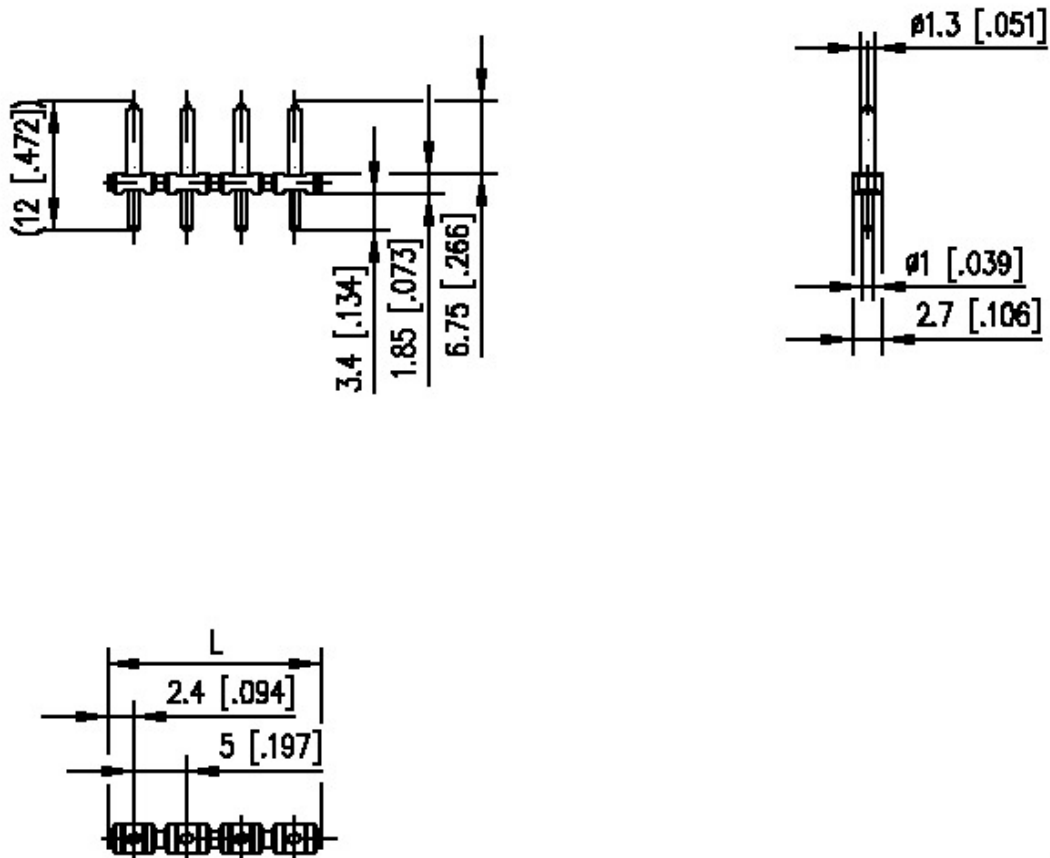
310171xx

xx=number of poles

2017/02/10

Illustration

Drawing



$L = (\text{pole size} - 1) \times \text{centerline} + 4.8$ [0.189]



METZ CONNECT GmbH

Im Tal 2 | 78176 Blumberg | Germany | www.metz-connect.com

Phone +49 7702 533-0 | Fax +49 7702 533-433

Montageanleitung / Mounting instruction siehe / see www.metz-connect.com

Members of METZ CONNECT



Data Sheet

PR015xxVBHC

Page 5/5

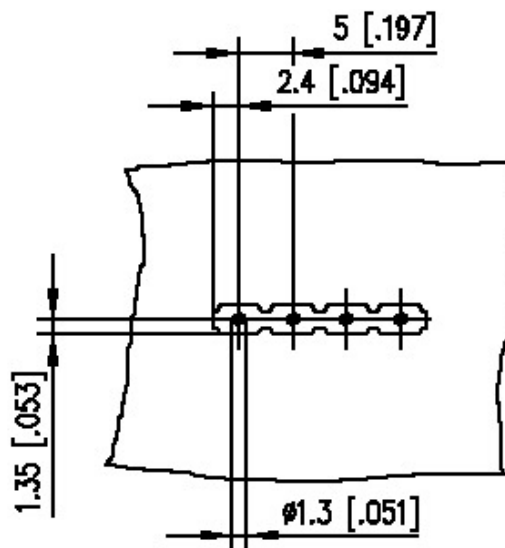
P/N

310171xx

xx=number of poles

2017/02/10

PCB Layout



X-ON Electronics

Largest Supplier of Electrical and Electronic Components

Click to view similar products for [metz manufacturer](#):

Other Similar products are found below :

[ASP0631006](#) [142M1D11100](#) [142M2X19020](#) [142M2X25005](#) [AST0820406](#) [1108861321](#) [1108311319](#) [1108501319](#) [11089313](#)
[142M2X1C050](#) [841ER-1.17L](#) [ASP0450401](#) [PT11608VBBN](#) [130920-E](#) [130924-E](#) [1108841319](#) [110304412004](#) [1108831326](#) [15024AD206-E](#)
[150240C30310S](#) [135015-SSC-E](#) [1528SBGT19E](#) [PR04302VBBN](#) [142M2X15010](#) [31189102](#) [11085813](#) [810-500](#) [31336104](#) [ASP0430922](#)
[AST0450504](#) [AST1350604](#) [SP06502VBNF](#) [31072103](#) [SP02512HDNC](#) [142M1D19020](#) [31251104](#) [31359104](#) [834B-375ML](#) [832WC-3L](#)
[31009105](#) [31020205](#) [31024102](#) [31027103](#) [ASP0251204](#) [PR01503VBVC](#) [PT11504HBBF](#) [RP01505WBWC](#) [130922-03-E](#) [150240C30610E](#)
[11027605](#)