

## ▶▶▶ Industrial PoE Splitter

### Power non-PoE or non-Ethernet Devices from your PoE Lines.

These space saving industrial PoE splitters give you all the benefits of Power over Ethernet (PoE) without needing to upgrade your existing non-PoE Ethernet devices. These splitters generate isolated 24 VDC power for your non-PoE or even non-Ethernet devices. Think of this splitter as an industrial 24 VDC power supply that is powered by your incoming PoE (Ethernet) cable. The Ethernet output can be connected to any traditional (non-PoE) Ethernet device. These industrial splitters are ultra-rugged, reliable and easy to use.

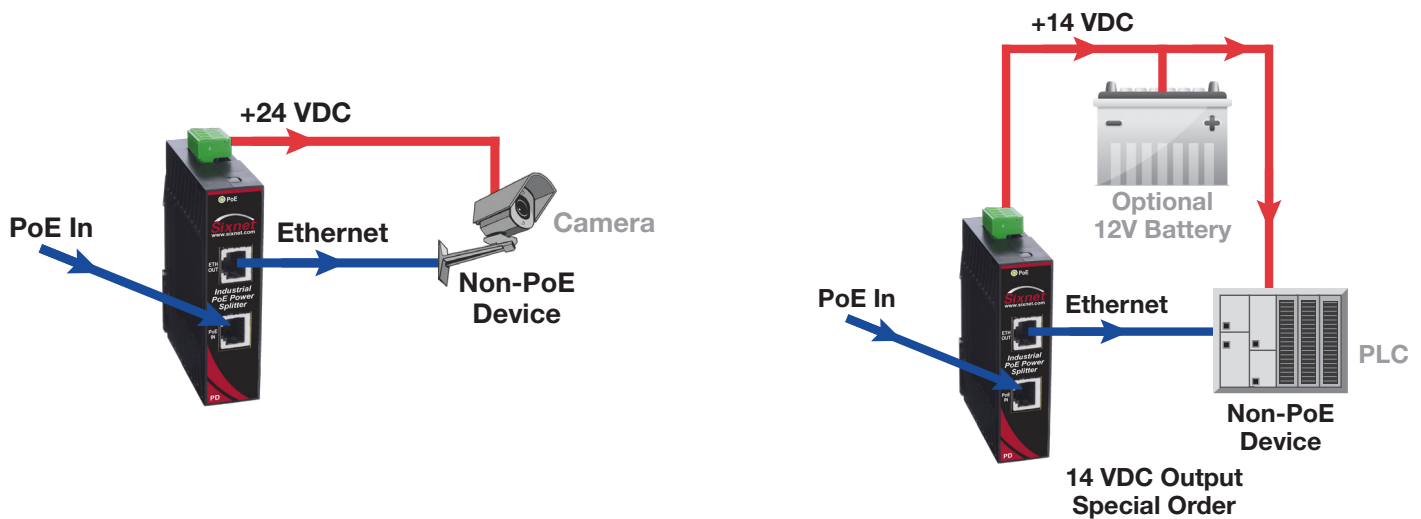


#### PRODUCT HIGHLIGHTS

- > One IEEE 802.3af compliant Power over Ethernet (PoE) port
- > One Ethernet output port where the 48 VDC has been removed
- > Plug & play saves you time and money
- > Truly industrial rated for any application

#### FEATURES & BENEFITS

- > IEEE 802.3af Compliant PoE Inport Ports
  - Powered Device (PD) operation
  - Accepts power over signal or unused pairs
  - Supports power detection & classification
- > True Isolated Power
  - 24 VDC power output (12/14V also available)
  - 13 watts of power available
- > True Plug and Play Simplicity
  - No user settings
  - Ready to use right out of the box
- > Trouble Free Operation
  - Ultra-reliable 1,000,000+ hours MTBF
  - Slim package for DIN rail or panel mounting



# ▶▶▶ Industrial Power Over Ethernet (PoE) Splitter Specifications

## GENERAL

Ethernet protocols supported: All IEEE 802.3  
 Ethernet ports: 2 (1 for PoE in, 1 for Ethernet out)  
 Ethernet port standards: 10/100BaseTX IEEE 802.3 / 802.3u

## POE INPUT

Fully IEEE 802.3af compliant  
 IEEE 802.3af PoE operation: Powered Device (PD)  
 PoE power input: Automatic detection and classification (power is accepted on either the signal or unused pairs)  
 PoE protection: Over/under voltage lockout and inrush control  
 PoE transient protection: 15,000 watts peak  
 PoE spike protection: 5,000 watts (10 times for 10 uS)

## POWER OUTPUT

Isolated power  
 Voltage output:  
 24 VDC, 0.54 Amps (24V model)  
 14 VDC, 0.93 Amps (UPS model) (special)  
 Power output: 13 watts

## ENVIRONMENTAL

Operating temperature range: -40 to +75°C  
 (cold startup @ -40°C)  
 Storage temperature range: -40 to +85 °C  
 Humidity (non-condensing) 5 to 95% RH  
 Vibration, shock and freefall: IEC68-2-6, -27 and -32

## STANDARDS COMPLIANCE

Electrical safety: UL508/CSA C22.2/14; EN61010-1, CE  
 EMI emissions: FCC part 15, ICES-003; EN61000-6-4, CE  
 EMC immunity: IEC61000-6-2, CE  
 Hazardous locations: UL1604, CSA C22.2/213 (Class I, Div. 2); EN60079-15 (Zone 2; Category 3), CE (ATEX)

## PHYSICAL

DIN rail or direct panel mounting  
 Packaging - Polycarbonate with IP30 protection  
 Weight (approximate): 0.17 Kg (0.25 lbs)  
 Dimensions - 4 x 1 x 3.3" (10 x 2.5 x 8.3 cm)  
 MTBF (estimated): >1,000,000 hours

## ORDERING GUIDE

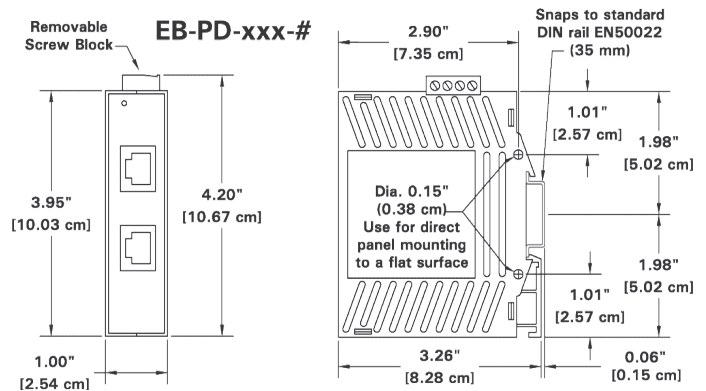
PART NUMBER	DESCRIPTION
EB-PD-24V-1	PoE splitter to power non-PoE or non-Ethernet 24 VDC devices
EB-PD-UPS-1 (special)	PoE splitter for non-PoE 12/14 VDC devices and/or to charge a 12 VDC battery for UPS backup

## ACCESSORIES

PART NUMBER	DESCRIPTION
EB-5ES-PSE-#	5 port Industrial Ethernet switch with 4 PoE ports
EB-PSE-24V-1A	PoE injector for 1 PoE port (uses unused pairs), 24V input
EB-PSE-48V-1A	PoE injector for 2 PoE port (uses unused pairs), 48V input

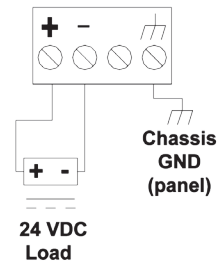
All specifications are subject to change. Consult factory for latest info.

## MECHANICAL DRAWING

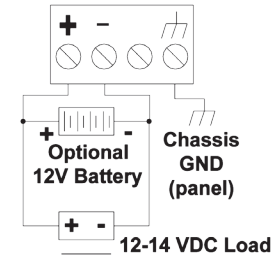


## POWER WIRING

### EB-PD-24V DC Power Output



### EB-PD-UPS DC Power Output



[www.redlion.net](http://www.redlion.net)

Connect. Monitor. Control.

**Americas**  
 sales@redlion.net

**Asia-Pacific**  
 asia@redlion.net

**Europe  
 Middle East  
 Africa**  
 europe@redlion.net

+1 (717) 767-6511

As the global experts in communication, monitoring and control for industrial automation and networking, Red Lion has been delivering innovative solutions for over forty years. Our automation, Ethernet and cellular M2M technology enables companies worldwide to gain real-time data visibility that drives productivity. Product brands include Red Lion, N-Tron and Sixnet. With headquarters in York, Pennsylvania, the company has offices across the Americas, Asia-Pacific and Europe. Red Lion is part of Spectris plc, the productivity-enhancing instrumentation and controls company. For more information, please visit [www.redlion.net](http://www.redlion.net).

ADLD0155 112316 © 2016 Red Lion Controls, Inc. All rights reserved. Red Lion, the Red Lion logo, N-Tron and Sixnet are registered trademarks of Red Lion Controls, Inc. All other company and product names are trademarks of their respective owners.

## X-ON Electronics

Largest Supplier of Electrical and Electronic Components

*Click to view similar products for [red lion manufacturer](#):*

Other Similar products are found below :

[IFMA0035](#) [SL-5ES-1](#) [LD400400](#) [PAXI0020](#) [WI0006OF](#) [508TX-A](#) [PAX2A000](#) [ZBH06002](#) [CBLGEN01](#) [1000-POE+](#) [CUB4LP40](#) [SLX-8ES-1](#) [TORF1000](#) [WF1000BF](#) [FANWAND721SMA](#) [FCOPPER-SFP-100](#) [PSDR060W](#) [SLX-5ES-1](#) [309FXE-ST-15](#)  
[CRM000CMCMOD0000](#) [CRM000CMDN000000](#) [CR10001000000210](#) [CR30001000000420](#) [PAXDP000](#) [NT24K-16M12-POE-PT](#) [NT24K-16M12-POE-R](#) [NT24K-16M12-POE-R-PT](#) [NT24K-16M12-PT](#) [NT24K-16M12-R-PT](#) [IAMA6262](#) [FMFIBER-SFP-4K](#) [PAXS0000](#)  
[CCARPG01](#) [PAXLA000](#) [CUB4CL20](#) [PSAC0000](#) [CUB5USB0](#) [516TX](#) [102MCE-SC-15](#) [304TX](#) [CUB5TCB0](#) [LMPCC000](#) [ENC5A000](#)  
[ENC8A000](#) [308TX](#) [508TX](#) [7018TX](#) [708FX2-SC](#) [516TX-A](#) [C48CS003](#)