

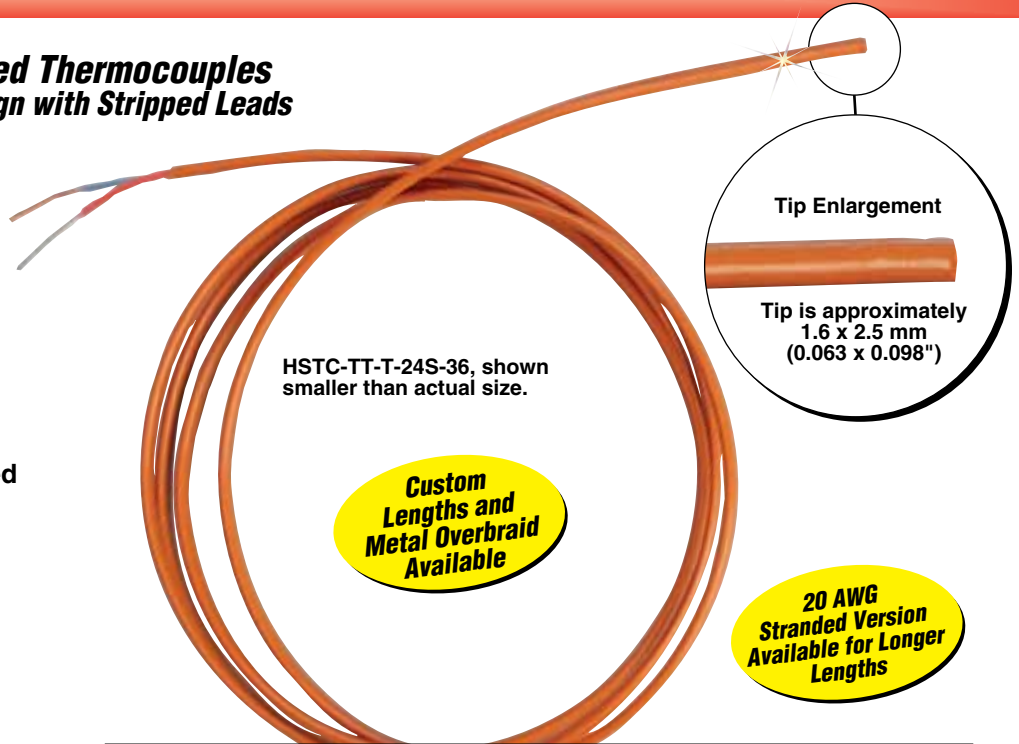
Ready-Made PFA Insulated Thermocouples Hermetically Sealed Tip Design with Stripped Leads

HSTC Series

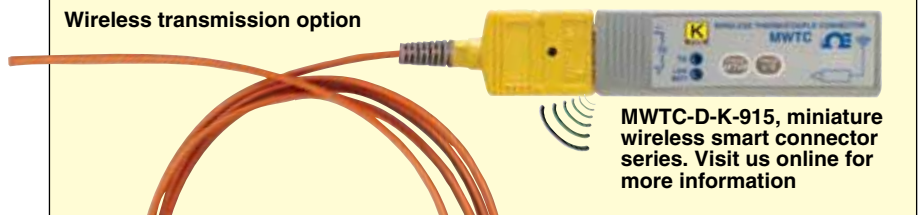


- ✓ Seal-Welded Tip
- ✓ Highly Resilient to Chemicals and Oils
- ✓ Electrically-Insulated Junction
- ✓ Easily Cleaned and Sterilized
- ✓ Small Size Provides a Fast Response
- ✓ Rated to 250°C (482°F)
- ✓ 24 AWG Stranded Thermocouple Grade Wire Standard, 20 AWG Stranded Available for Longer Lengths

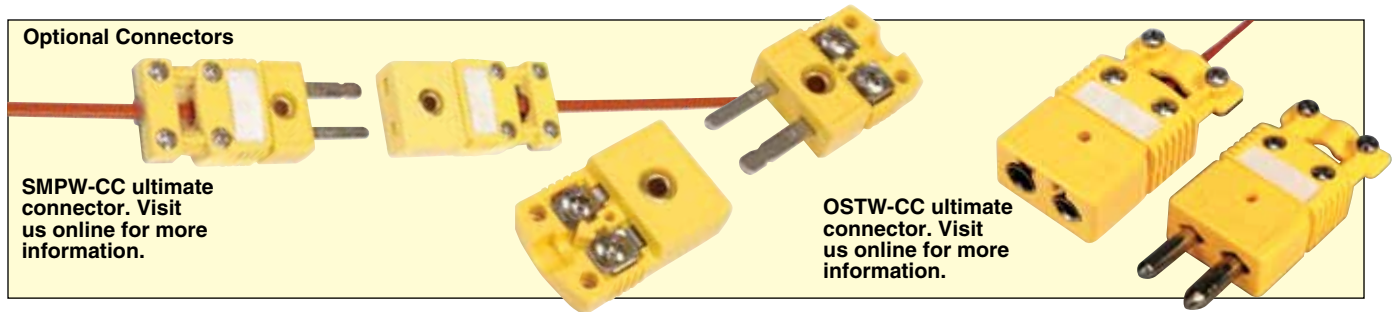
These PFA insulated thermocouple wire sensors are hermetically seal-welded at the sensor tip to provide continuous PFA protection over the measurement junction. This unique design provides a small, flexible, and electrically isolated thermocouple, suited to a variety of applications.



Wireless transmission option



Optional Connectors



To Order

Model No.	Description
HSTC-TT-(*)-24S-36	Hermetically sealed tip thermocouple, 1 m (40"), stripped ends
HSTC-TT-(*)-24S-72	Hermetically sealed tip thermocouple, 2 m (80"), stripped ends
HSTC-TT-(*)-24S-120	Hermetically sealed tip thermocouple, 3 m (120"), stripped ends
HSTC-TT-(*)-24S-36-SMPW-CC	Hermetically sealed thermocouple, 1 m (40"), ultimate SMPW male with cable clamp
HSTC-TT-(*)-24S-72-SMPW-CC	Hermetically sealed thermocouple, 2 m (80"), ultimate SMPW male with cable clamp
HSTC-TT-(*)-24S-120-SMPW-CC	Hermetically sealed thermocouple, 3 m (120"), ultimate SMPW male with cable clamp

* Insert calibration J, K, T, or E.

For additional cost 300 mm (12") of TT wire. To order thermocouple with full size connector, replace "SMPW" in the model number with "OSTW", no additional charge. To order 20 AWG stranded thermocouple for longer lengths, replace "24S" in the model with "20S" for additional cost.

Ordering Example: HSTC-TT-K-24S-36-SMPW-CC, 1 each, PFA insulated thermocouple, Type K calibration (CHROMEPA®-ALOMEGA®), 24 stranded AWG, 1 m (40") L, ultimate mini male connector with strain relief.

X-ON Electronics

Largest Supplier of Electrical and Electronic Components

Click to view similar products for [omega manufacturer](#):

Other Similar products are found below :

[PX309-5KGI](#) [SMPW-J-M](#) [5SC-TT-T-36-36](#) [5SRTC-TT-K-30-72](#) [MJP2-12-T](#) [CASS-116U-12](#) [CHAL-002](#) [DH-1-20-J-12](#) [GG-J-24-SLE-1000](#)
[HPC-AU-P](#) [HPC-IR-P](#) [KHSS-18G-RSC-12](#) [KMQIN-125U-6](#) [KMQXL-125G-12](#) [KMQXL-125U-6](#) [KQSS-18G-6](#) [KQXL-14U-36](#) [KQXL-18G-12](#) [NB3-CAXL-14U-18](#) [PX309-100AI](#) [PX309-100AV](#) [PX309-100GV](#) [PX319-V050G5V](#) [PX319-V100G5V](#) [PX319-002GI](#) [PX319-050GI](#) [PX319-100GV](#) [PX319-200AV](#) [PX319-200A5V](#) [PX319-300G5V](#) [PX319-500G5V](#) [PX319-7.5KGI](#) [PX319-7.5KG5V](#) [PX329-1KG5V](#) [PX329-10KGI](#) [PX329-2KGI](#) [PX409-015VUSBH](#) [PX409-015VV](#) [PX409-050A5V](#) [PX409-1.0KGUSBH](#) [PX409-10WVI](#) [PX409-100A5V](#) [PX409-5.0KG5V](#) [PX409-500GUSBH](#) [PX41T0-300GI](#) [PX419-250GI](#) [P10R-005](#) [SA1-RTD-4W-120](#) [SA1-T-72-SRTC](#) [SA1XL-K-SRTC](#)