

25.4 mm (1") DIAMETER STAINLESS STEEL COMPRESSION LOAD CELL

STANDARD AND METRIC MODELS

Compression

0-100 lb to 0-10,000 lb
0-500 to 0-50,000 N

1 Newton = 0.2248 lb
 1 daNewton = 10 Newtons
 1 lb = 454 g
 1 t = 1000 kg = 2204 lb

LC304/LCM304 Series



- ✓ Heavy-Duty Design
- ✓ Built-In Load Button for Easy Installation
- ✓ Miniature 25 mm (1") Diameter and 25 mm (1") High Case
- ✓ 5-Point Calibration Provided

OMEGA's LC304/LCM304 Series load cells offer the highest output of all miniature load cells. Their small 25 mm (1") diameter makes it easy to mount them in a pocket or on a flat surface. The rugged stainless steel case and high-quality construction ensure reliability.

SPECIFICATIONS

Excitation: 10 Vdc, 15 Vdc maximum

Output: 2 mV/V nominal

Accuracy: ±0.5% FSO linearity, hysteresis, repeatability combined

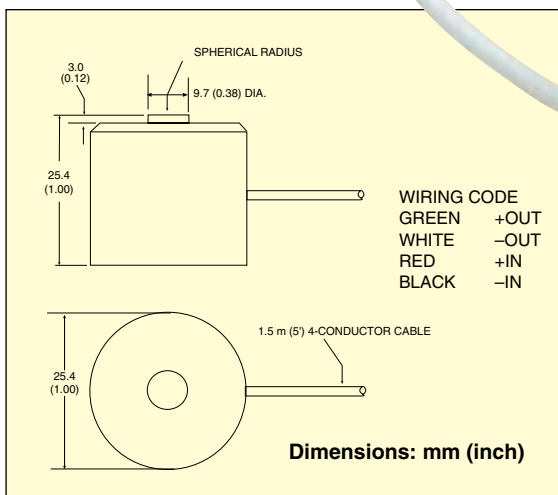
5-Point Calibration: 0%, 50%, 100%, 50%, 0%

Zero Balance: ±2% FSO

Operating Temp Range: -54 to 107°C (-65 to 225°F)

Compensated Temp Range: 16 to 71°C (60 to 160°F)

Deflection: 0.025 to 0.076 mm (0.001 to 0.003")



LC304-1K,
shown actual size.

Thermal Effects:

Zero: 0.009% FSO/°C
 Span: 0.036% FSO/°C

Protection Class: IP65

Safe Overload: 150% of capacity

Ultimate Overload: 300% of capacity

Bridge Resistance: 350 Ω minimum

Construction: Stainless steel

Electrical: 1.5 m (5') 4-conductor cable

STANDARD MODELS

To Order			
CAPACITY		MODEL NO.	COMPATIBLE METERS
lb	N		
100	445	LC304-100	iSeries, DP41-S, DP25B-S
500	2224	LC304-500	iSeries, DP41-S, DP25B-S
1000	4448	LC304-1K	iSeries, DP41-S, DP25B-S
3000	13,345	LC304-3K	iSeries, DP41-S, DP25B-S
5000	22,242	LC304-5K	iSeries, DP41-S, DP25B-S
7500	33,363	LC304-7.5K	iSeries, DP41-S, DP25B-S
10,000	44,484	LC304-10K	iSeries, DP41-S, DP25B-S

METRIC MODELS

CAPACITY		MODEL NO.	COMPATIBLE METERS
N	lb		
500	112	LCM304-500N	DP41-S, DP25B-S, iSeries
2000	450	LCM304-2KN	DP41-S, DP25B-S, iSeries
5000	1124	LCM304-5KN	DP41-S, DP25B-S, iSeries
10,000	2248	LCM304-10KN	DP41-S, DP25B-S, iSeries
20,000	4496	LCM304-20KN	DP41-S, DP25B-S, iSeries
50,000	11,240	LCM304-50KN	DP41-S, DP25B-S, iSeries

Comes complete with 5-point NIST-traceable calibration and 59 kΩ shunt data.

Ordering Examples: LC304-100, 100 lb capacity load cell.

LC304-5K, 5000 lb capacity load cell.

LCM304-5KN, 5000 N capacity load cell.

X-ON Electronics

Largest Supplier of Electrical and Electronic Components

Click to view similar products for [omega manufacturer](#):

Other Similar products are found below :

[PX309-5KGI](#) [SMPW-J-M](#) [5SC-TT-T-36-36](#) [5SRTC-TT-K-30-72](#) [MJP2-12-T](#) [CASS-116U-12](#) [CHAL-002](#) [DH-1-20-J-12](#) [GG-J-24-SLE-1000](#)
[HPC-AU-P](#) [HPC-IR-P](#) [KHSS-18G-RSC-12](#) [KMQIN-125U-6](#) [KMQXL-125G-12](#) [KMQXL-125U-6](#) [KQSS-18G-6](#) [KQXL-14U-36](#) [KQXL-18G-12](#) [NB3-CAXL-14U-18](#) [PX309-100AI](#) [PX309-100AV](#) [PX309-100GV](#) [PX319-V050G5V](#) [PX319-V100G5V](#) [PX319-002GI](#) [PX319-050GI](#) [PX319-100GV](#) [PX319-200AV](#) [PX319-200A5V](#) [PX319-300G5V](#) [PX319-500G5V](#) [PX319-7.5KGI](#) [PX319-7.5KG5V](#) [PX329-1KG5V](#) [PX329-10KGI](#) [PX329-2KGI](#) [PX409-015VUSBH](#) [PX409-015VV](#) [PX409-050A5V](#) [PX409-1.0KGUSBH](#) [PX409-10WVI](#) [PX409-100A5V](#) [PX409-5.0KG5V](#) [PX409-500GUSBH](#) [PX41T0-300GI](#) [PX419-250GI](#) [P10R-005](#) [SA1-RTD-4W-120](#) [SA1-T-72-SRTC](#) [SA1XL-K-SRTC](#)