

# Extruder RTD Probes With Compression Fittings

- ✓ Ideal for Plastic Process Machinery
- ✓ 100 Ω Class “B” Thin-Film DIN Platinum Element
- ✓ 4.75 mm (3/16”) Diameter, 304 Stainless Steel Sheath
- ✓ 1/8 NPT Brass Compression Fitting Standard
- ✓ 1.5 m (60”) Flex Cable Standard
- ✓ Temperature Range to 260°C (500°F) Continuous [Optional 500°C (932°F) Cable Available]
- ✓ 3-Wire Construction Color Coded Red/Red/White Per IE/ASTM-E-1137

## CFTF Series

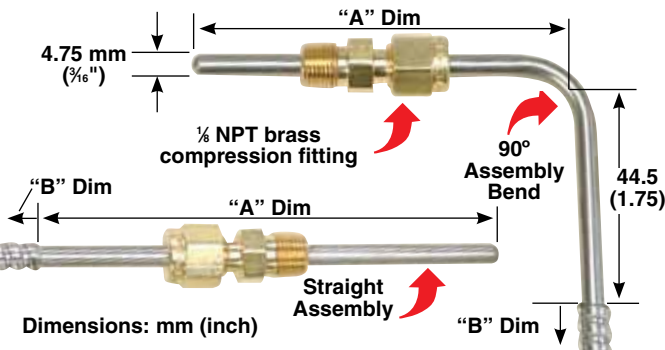


CFTF-000-RTD-2-60-1 shown smaller than actual size.

Comes standard with OTP connector or spade lugs, see table below.

#26 AWG stranded nickel-plated copper, PFA jacketed with flex armor

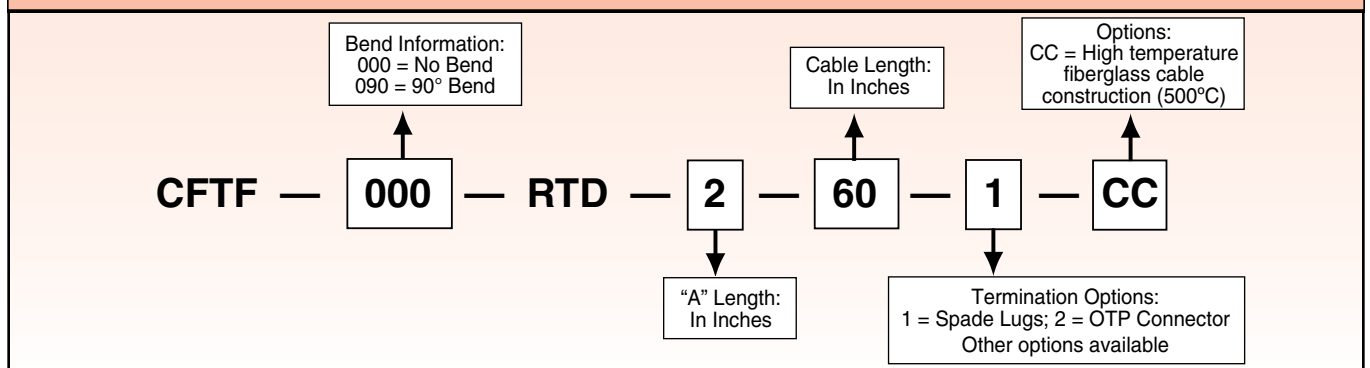
BTC Adaptors Available Online



To Order				
Model Number	Termination	Bend	“A” Dim mm (inch)	
CFTF-000-RTD-2-60-1	Spade Lugs	Straight	50	(2)
CFTF-000-RTD-2-60-2	OTP Connector	Straight	50	(2)
CFTF-000-RTD-4-60-1	Spade Lugs	Straight	100	(4)
CFTF-000-RTD-4-60-2	OTP Connector	Straight	100	(4)
CFTF-090-RTD-2-60-1	Spade Lugs	90°	50	(2)
CFTF-090-RTD-2-60-2	OTP Connector	90°	50	(2)
CFTF-090-RTD-4-60-1	Spade Lugs	90°	100	(4)
CFTF-090-RTD-4-60-2	OTP Connector	90°	100	(4)

Adaptors for insertion and pipe clamp use also available, visit us online for complete information.  
 \* For other lengths of armoured cable, change “60” in model number to length desired for an additional cost per foot over 5' (60"). For high temperature construction (500°C), add “-CC” to the end of model number for an additional cost.  
 \*\* Other A lengths available, for an additional cost per inch over 6".  
**Ordering Example:** CFTF-000-RTD-2-60-1, straight compression style, “Z” dimension, 60" cable, lug terminations.

## How are OMEGA’s Model Numbers Constructed?



Ordering Example: CFTF-000-RTD-2-60-1, spade lugs.

## X-ON Electronics

Largest Supplier of Electrical and Electronic Components

*Click to view similar products for [omega manufacturer](#):*

Other Similar products are found below :

[PX309-5KGI](#) [SMPW-J-M](#) [5SC-TT-T-36-36](#) [5SRTC-TT-K-30-72](#) [MJP2-12-T](#) [CASS-116U-12](#) [CHAL-002](#) [DH-1-20-J-12](#) [GG-J-24-SLE-1000](#)  
[HPC-AU-P](#) [HPC-IR-P](#) [KHSS-18G-RSC-12](#) [KMQIN-125U-6](#) [KMQXL-125G-12](#) [KMQXL-125U-6](#) [KQSS-18G-6](#) [KQXL-14U-36](#) [KQXL-](#)  
[18G-12](#) [NB3-CAXL-14U-18](#) [PX309-100AI](#) [PX309-100AV](#) [PX309-100GV](#) [PX319-V050G5V](#) [PX319-V100G5V](#) [PX319-002GI](#) [PX319-](#)  
[050GI](#) [PX319-100GV](#) [PX319-200AV](#) [PX319-200A5V](#) [PX319-300G5V](#) [PX319-500G5V](#) [PX319-7.5KGI](#) [PX319-7.5KG5V](#) [PX329-1KG5V](#)  
[PX329-10KGI](#) [PX329-2KGI](#) [PX409-015VUSBH](#) [PX409-015VV](#) [PX409-050A5V](#) [PX409-1.0KGUSBH](#) [PX409-10WVI](#) [PX409-100A5V](#)  
[PX409-5.0KG5V](#) [PX409-500GUSBH](#) [PX41T0-300GI](#) [PX419-250GI](#) [P10R-005](#) [SA1-RTD-4W-120](#) [SA1-T-72-SRTC](#) [SA1XL-K-SRTC](#)