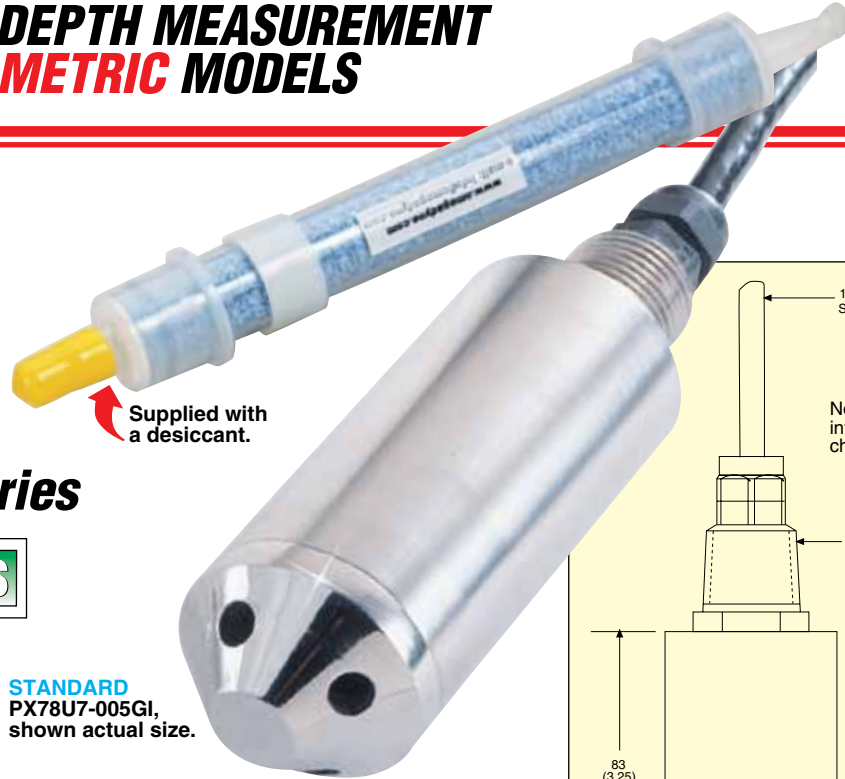


# SUBMERSIBLE PRESSURE TRANSMITTER

## FOR LEVEL AND DEPTH MEASUREMENT

### STANDARD AND METRIC MODELS

**4-20 mA Output**  
**0-4 to 0-15 psi**  
**0-275 mb to 1 bar**  
**38 mm (1.5") Dia.**



## PX78/PXM78 Series



**STANDARD**  
**PX78U7-005GI,**  
 shown actual size.

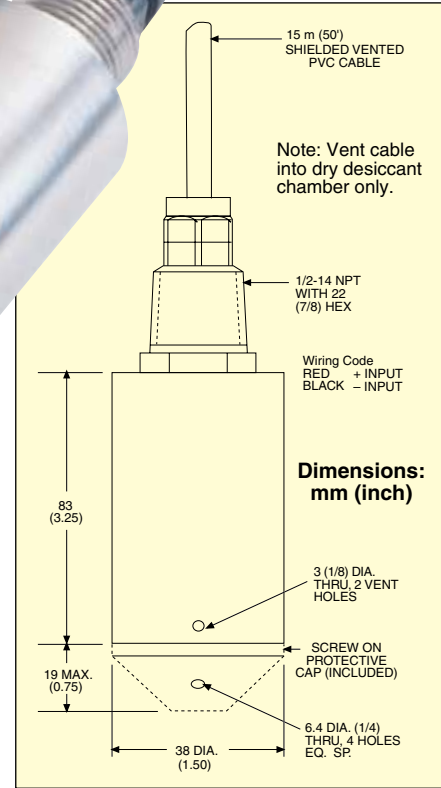
- ✓ All Stainless Steel Housing
- ✓ Hermetically Sealed
- ✓ Protective Cap Included
- ✓ 15 m (50') Vented Cable Standard

OMEGA's PX78/PXM78 are submersible transmitter suitable for liquid level and depth measurement. Their all stainless steel, hermetically sealed housing makes them suitable for immersion in most industrial liquids and oils. A 15 m (50') vented cable (longer lengths available) provides an atmospheric pressure reference.

### SPECIFICATIONS

**Excitation:** 10 to 40 Vdc  
**Output:** 4 to 20 mA  $\pm 10\%$   
**Max Loop Resistance:**  
 (Input voltage - 10) x 50  
**Zero Balance:** 4 mA  $\pm 0.5\%$   
**Accuracy:** 0.5% linearity, hysteresis and repeatability combined  
**Operating Temp Range:**  
 -29 to 93°C (-20 to 200°F)  
**Compensated Temp Range:**  
 16 to 71°C (60 to 160°F)  
**Thermal Effects:**  
**Span:** 0.0054% rdg/°C  
**Zero:** 0.009% FSO/°C  
**Proof Pressure:** 150% of rated pressure  
**Burst Pressure:** 300% of rated pressure  
**Wetted Parts:** 316 stainless steel diaphragm, 17-4 stainless steel housing

**Pressure Port:** Nose protector included  
**Electrical Connection:**  
 15 m (50') PVC-insulated shielded and vented cable  
*Notice: OMEGA does not offer a warranty on this product, its use, or application. It is the end user's responsibility to assure proper installation and use of this transmitter.*



### STANDARD MODELS

#### To Order 15 m (50') Cable

psig	bar	ftH <sub>2</sub> O	MODEL NO.	COMPATIBLE METERS*
0 to 4	0 to 0.27	9.2	<b>PX78U7-004GI</b>	DP41-E, DP25B-E, DP24-E
0 to 5	0 to 0.34	11.5	<b>PX78U7-005GI</b>	DP41-E, DP25B-E, DP24-E
0 to 10	0 to 0.69	23.1	<b>PX78U7-010GI</b>	DP41-E, DP25B-E, DP24-E
0 to 15	0 to 1.0	34.6	<b>PX78U7-015GI</b>	DP41-E, DP25B-E, DP24-E

### METRIC MODELS

mbar	psi	mH <sub>2</sub> O	MODEL NO.	COMPATIBLE METERS*
0 to 270	0 to 4	2.8	<b>PXM78U7-275MBARGI</b>	DP41-E, DP25B-E, DP24-E
0 to 350	0 to 5	3.6	<b>PXM78U7-350MBARGI</b>	DP41-E, DP25B-E, DP24-E
0 to 700	0 to 10	7.1	<b>PXM78U7-700MBARGI</b>	DP41-E, DP25B-E, DP24-E
0 to 1 bar	0 to 15	10.2	<b>PXM78U7-001BARGI</b>	DP41-E, DP25B-E, DP24-E

Comes complete with NIST traceable calibration, desiccant and operator's manual.

\* Visit us online for compatible meters.

To order with extra cable, add suffix "**-(length in meters)M**" and additional cost beyond standard 15 m (50') length.

**Ordering Examples:** **PX78U7-015GI-100FT**, 15 psi transmitter with 4 to 20 mA output and 30 m (100') vented cable.

**PXM78U7-350MBARGI-30M**, 350 mbar gage pressure transmitter with 4 to 20 mA output and 30 m (100') total length of vented cable.

### ACCESSORY

MODEL NO.	DESCRIPTION
<b>A019385</b>	Replacement desiccant

## X-ON Electronics

Largest Supplier of Electrical and Electronic Components

*Click to view similar products for [omega manufacturer](#):*

Other Similar products are found below :

[PX309-5KGI](#) [SMPW-J-M](#) [5SC-TT-T-36-36](#) [5SRTC-TT-K-30-72](#) [MJP2-12-T](#) [CASS-116U-12](#) [CHAL-002](#) [DH-1-20-J-12](#) [GG-J-24-SLE-1000](#)  
[HPC-AU-P](#) [HPC-IR-P](#) [KHSS-18G-RSC-12](#) [KMQIN-125U-6](#) [KMQXL-125G-12](#) [KMQXL-125U-6](#) [KQSS-18G-6](#) [KQXL-14U-36](#) [KQXL-](#)  
[18G-12](#) [NB3-CAXL-14U-18](#) [PX309-100AI](#) [PX309-100AV](#) [PX309-100GV](#) [PX319-V050G5V](#) [PX319-V100G5V](#) [PX319-002GI](#) [PX319-](#)  
[050GI](#) [PX319-100GV](#) [PX319-200AV](#) [PX319-200A5V](#) [PX319-300G5V](#) [PX319-500G5V](#) [PX319-7.5KGI](#) [PX319-7.5KG5V](#) [PX329-1KG5V](#)  
[PX329-10KGI](#) [PX329-2KGI](#) [PX409-015VUSBH](#) [PX409-015VV](#) [PX409-050A5V](#) [PX409-1.0KGUSBH](#) [PX409-10WVI](#) [PX409-100A5V](#)  
[PX409-5.0KG5V](#) [PX409-500GUSBH](#) [PX41T0-300GI](#) [PX419-250GI](#) [P10R-005](#) [SA1-RTD-4W-120](#) [SA1-T-72-SRTC](#) [SA1XL-K-SRTC](#)