

The **Stellar Labs Connecting Block** connects IR receivers, power supply and emitters, together to interface the IR system to the audio / video components.

FEATURES

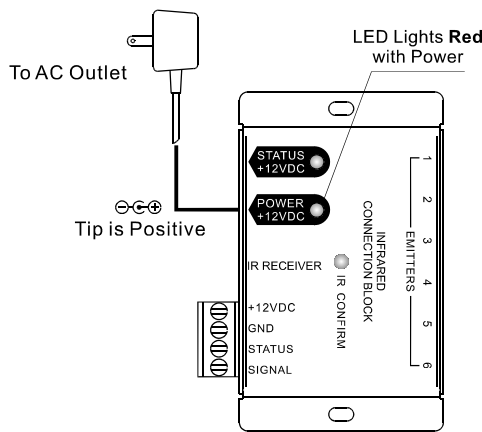
1. Six emitter output connections.
2. Convenient IR confirmation LED.
3. Status power receptacle with LED indicator.
4. Power receptacle with LED indicator.
5. Three conductor 1/8" receptacle for interfacing with many brands of freestanding IR receivers.
6. Large detachable IR receiver connection.
7. Compact size for mounting near audio equipment.

SPECIFICATIONS

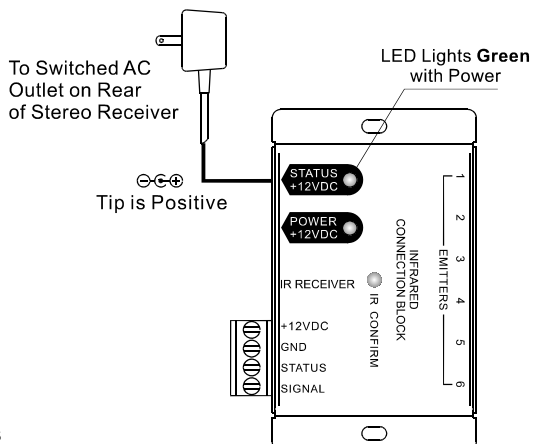
Dimensions: 82W x 60H x 27D mm
 Weight: 110g

INSTRUCTIONS

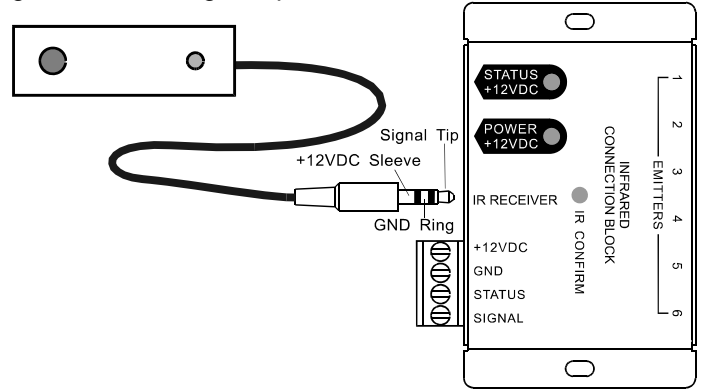
Power: Connect a 12 VDC 200mA to 1A power supply to the power jack. 2.1mm + Tip – sleeve. The red LED will be illuminated when powered. This will power all of the IR components connected to the system. Depending on the type of components and the number of components will determine how much current the power supply will need to provide.



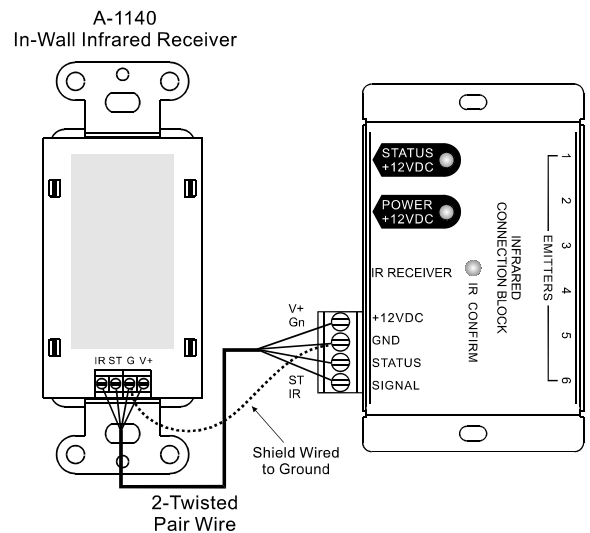
Status Power: 12VDC 200mA 2.1mm + Tip – sleeve. Connecting a power supply to this connection will power the status connection. The green LED will be illuminated when powered. This can be from a 12 volt trigger output or from a wall type power supply plugged into a switched outlet of a stereo receiver. If you are using products like the A-1140 that have a status indicator, simply plug a 12 VDC power supply into the switched outlet and when the receiver is turned on the status LED will be illuminated.



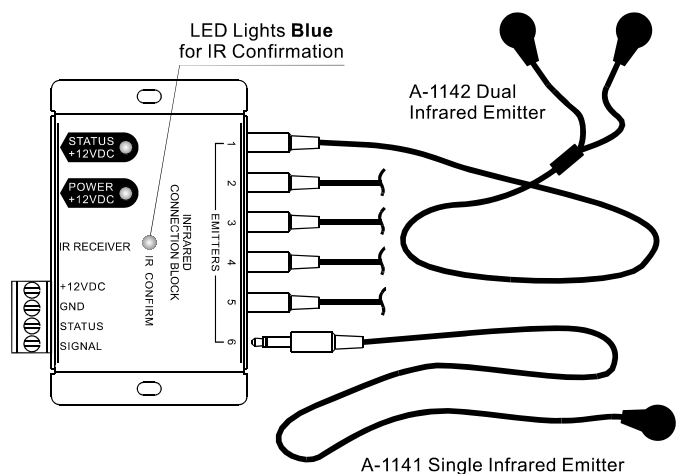
IR Receiver In: This is a three terminal 1/8" plug that is common to many of the free standing IR receivers. This will connect the power, ground and signal. Signal is Tip, ground is the ring and power is the sleeve.



System Connection: Connect the IR system to the detachable connector labeled +12VDC, GND, STATUS, and SIGNAL.



Emitter Outputs: Connect up to 6 emitters (A-1141 or A-1142) to the emitter jacks labeled 1-6. Place the emitters on the source equipment.



IR Confirm: When an IR signal is received the IR confirmation blue LED will flash.

Mounting: Mount the A-1139 near the source equipment that the emitters are attached to.

X-ON Electronics

Largest Supplier of Electrical and Electronic Components

Click to view similar products for [mcm manufacturer](#):

Other Similar products are found below :

[NWTBATCAPMB13](#) [27-505](#) [27-4200](#) [27-840](#) [28-5958](#) [50-10820](#) [28-1510](#) [27-5918](#) [27-5977](#) [24-12352](#) [287-14020](#) [28-6023](#) [35SPS-3](#) [28-6008](#) [21-4605](#) [21-4575](#) [21-19084](#) [21-12825](#) [27-570](#) [28-1525](#) [83-17604](#) [27-5833](#) [27-6020](#) [24-12345](#) [28-6017](#) [28-6032](#) [21-18966](#) [30-1530](#) [28-970](#) [27-560](#) [26-120](#) [CA68B](#) [24-12344](#) [28-6005](#) [24-13075](#) [PCM-2100-50](#) [21-18956](#) [28-6080](#) [24-5360](#) [24-1040](#) [27-5917](#) [28-6031](#) [HD15MM35N-100F](#) [28-975](#) [27-4270](#) [85-11102](#) [27-5940](#) [27-5949](#) [27-6112](#) [HD15MM35N-6F](#)