



Main

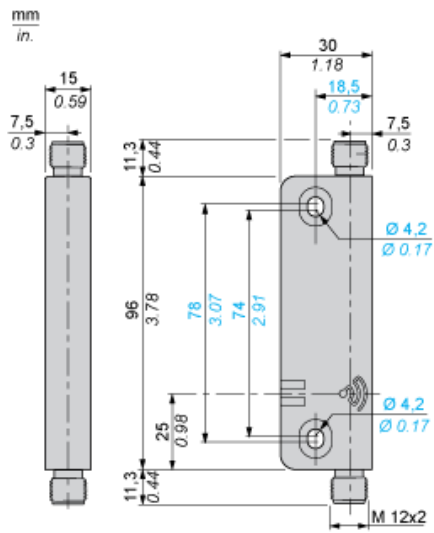
Range of product	Preventa Safety detection
Product or component type	Preventa RFID safety switch
Component name	XCSRC

Complementary

Design	Rectangular, standard
Size	50 x 15 x 15 mm transponder 119.6 x 30 x 15 mm reader
Material	Valox
Electrical connection	2 male connectors
Connector type	M12 male
Type of output stage	Solid-state, PNP
Safety outputs	2 NO
Number of poles	5
Local signalling	2 multi-colour LEDs green, orange and red
[Sa] assured operating distance	10 mm face to face
[Sar] assured tripping distance	35 mm face to face
Approach directions	3 directions-transponder with rotary sensing face
[Ue] rated operational voltage	24 V DC (- 20...10 %) SELV or PELV conforming to EN/IEC 60204-1
[Ie] rated operational current	60 mA
[Ui] rated insulation voltage	30 V DC
[Uimp] rated impulse withstand voltage	0.8 kV IEC 60947-5-2
Protection type	Short-circuit protection
Maximum switching voltage	26.4 V DC
Switching capacity in mA	200 mA
Switching frequency	<= 0.5 Hz
Discordance time	<= 120 ms + 18 ms per additional switch connected in series
Response time	120 ms + 50 ms typical per additional switch connected in series
Delay first up	5 s
Tightening torque	<= 1.5 N.m
Standards	EN/IEC 60947-5-2 EN/IEC 60947-5-3 ISO 14119
Product certifications	CSA 22-2 FCC IC TÜV Ecolab RCM EAC E2

Marking	CE TÜV EAC RCM CULus FCC IC
Safety level	SIL 3 EN/IEC 61508 SILCL 3 EN/IEC 62061 PL = e EN/ISO 13849-1 Category 4 EN/ISO 13849-1
Safety reliability data	PFH_D = 5E-10/h EN/IEC 62061 PFH_D = 5E-10/h EN/ISO 13849-1
Service life	20 yr
Ambient air temperature for operation	-25...70 °C
Ambient air temperature for storage	-40...85 °C
Vibration resistance	10 gn 10...150 Hz EN/IEC 60068-2-6
Shock resistance	30 gn 11 ms EN/IEC 60068-2-27
Electrical shock protection class	Class III EN/IEC 61140
IP degree of protection	IP65 EN/IEC 60529 IP66 EN/IEC 60529 IP67 EN/IEC 60529 IP69K DIN 40050

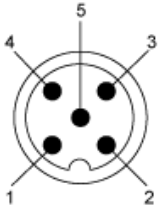
Dimensions



Connections

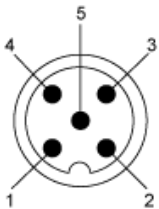
M12 Connectors, 5-pin

Output Connector



- (1) + 24 VDC
- (2) OSSD2 (O2)
- (3) 0 VDC
- (4) OSSD1 (O1)
- (5) Diagnosis Out (Do)

Input Connector

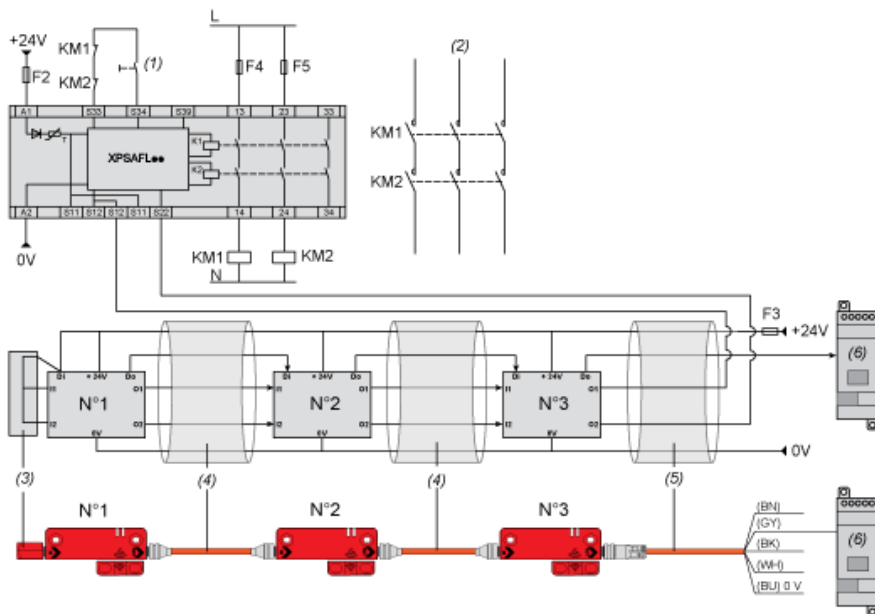


- (1) + 24 VDC
- (2) INPUT 2 (I2)
- (3) 0 VDC
- (4) INPUT 1 (I1)
- (5) Diagnosis In (Di)

Connections

Wiring Diagram: Series Connection

Cat. 4 / PL=e (EN/ISO 13849-1) / SIL3 (IEC 61508) / SILCL3 IEC 62061), if combined with an appropriate Preventa XPS Safety module
PL=e / SIL3

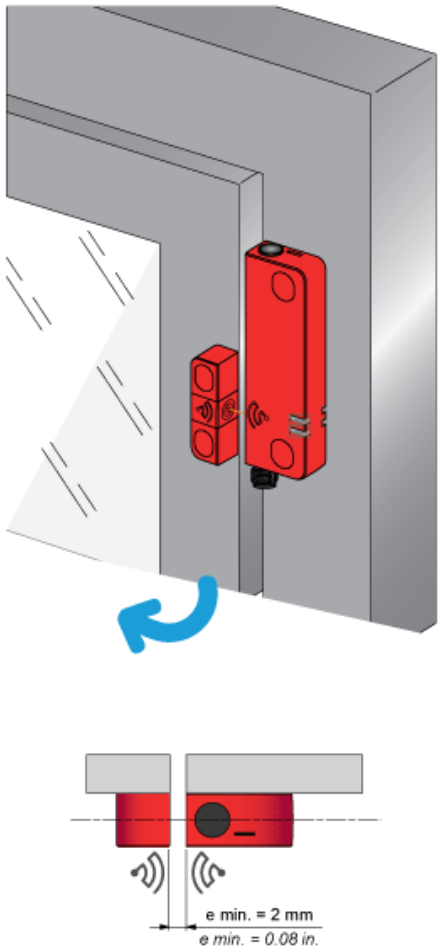
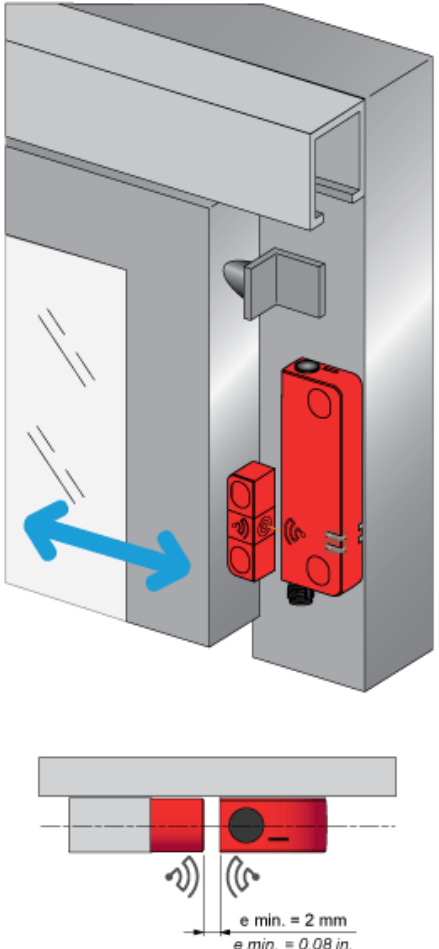


- (1) Start
- (2) Power circuit
- (3) Loopback device
- (4) M12/M12 female jumpers
- (5) Pre-wired female connectors
- (6) Diagnostic module (option)

NOTE: KM1 and KM2 contactors must have force-guided contacts.

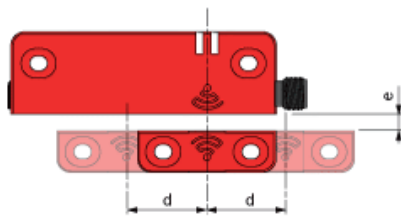
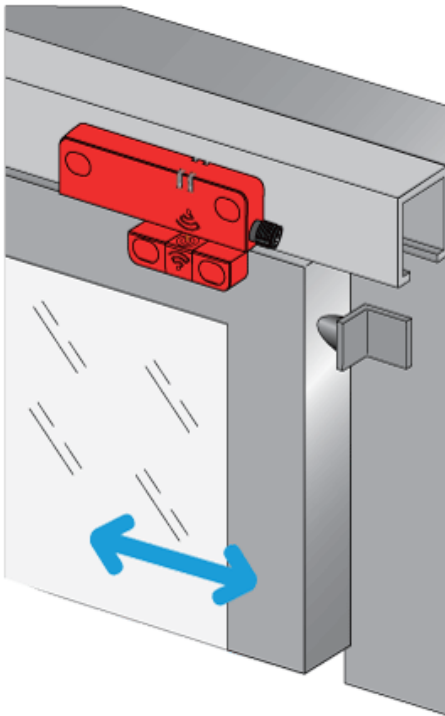
Mounting and Clearance

Face to Face Mounting (Preferred Configuration)

Example n°1	Example n°2
 <p>e: Recommended minimum mounting distance between transponder and reader.</p>	 <p>e: Recommended minimum mounting distance between transponder and reader.</p>

Face to Face Mounting (Preferred Configuration)

Example n°3



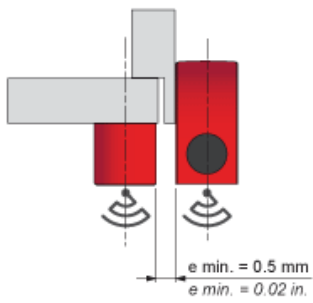
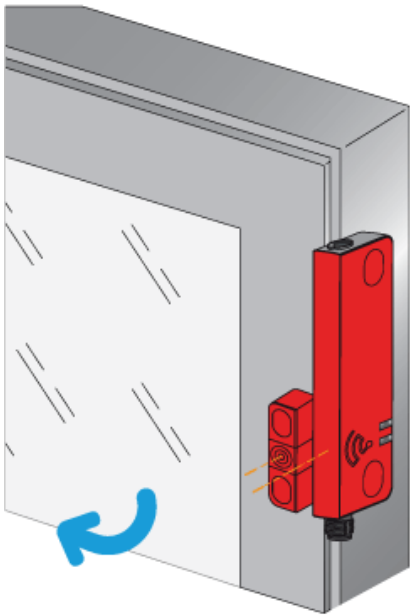
$e > 2 \text{ mm}$. (e: recommended minimum mounting distance between transponder and reader)
min.

d : Detection limit

Mounting and Clearance

Side by Side Mounting

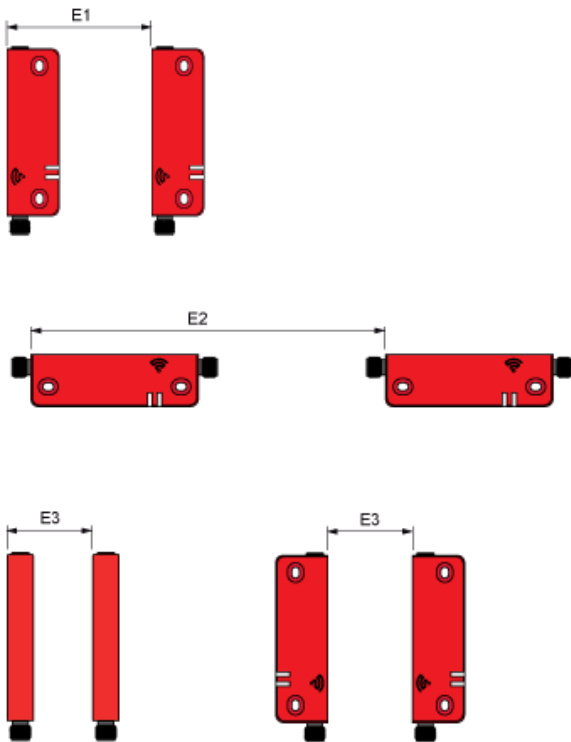
Correct Mounting Configuration



e: Recommended minimum mounting distance between transponder and reader.

Mounting and Clearance

Minimum Mounting Clearances between Safety Switches



Dimensions in mm

E1 min.	E2 min.	E3 min.
45	150	65

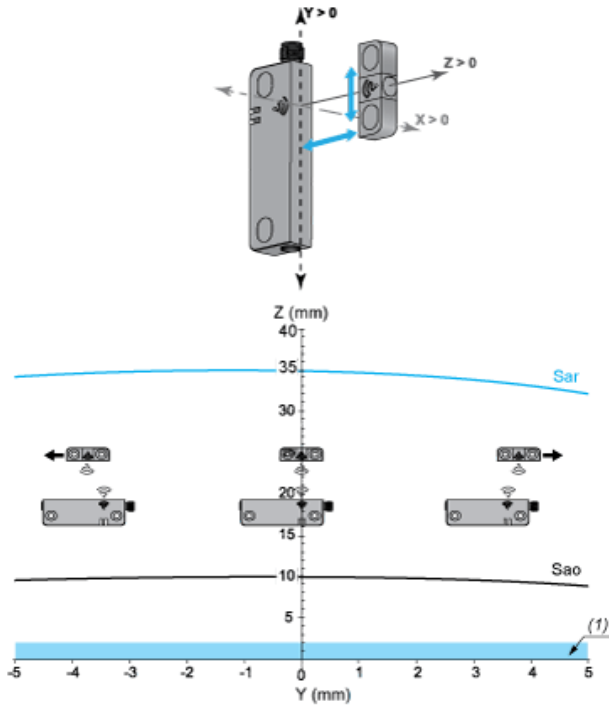
Dimensions in in.

E1 min.	E2 min.	E3 min.
1.77	5.91	2.56

Detection Curves

Face to Face Mounting (Preferred Configuration)

Sao and Sar sensing distances along Y axis as function of Z (longitudinal misalignment for X=0)

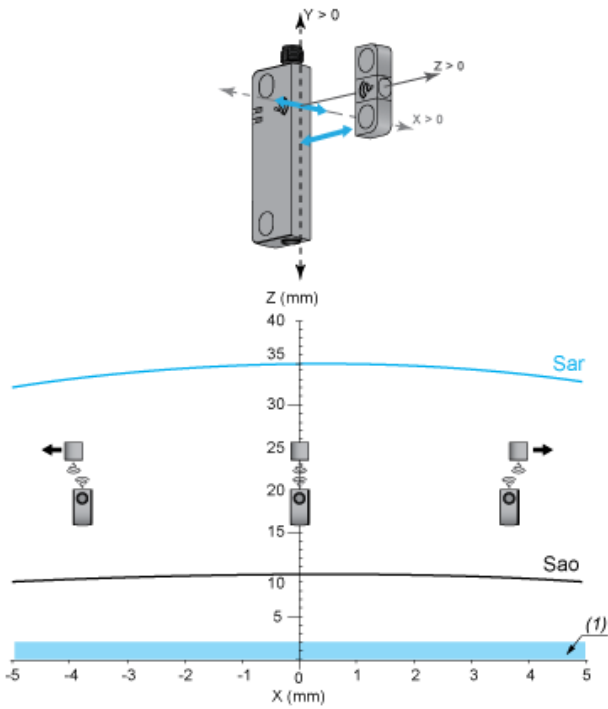


Sar: Assured release distance

Sao: Assured operating distance

(1) Recommended minimum mounting distance between transponder and reader.

Sao and Sar sensing distances along X axis as function of Z (transverse misalignment for Y=0)

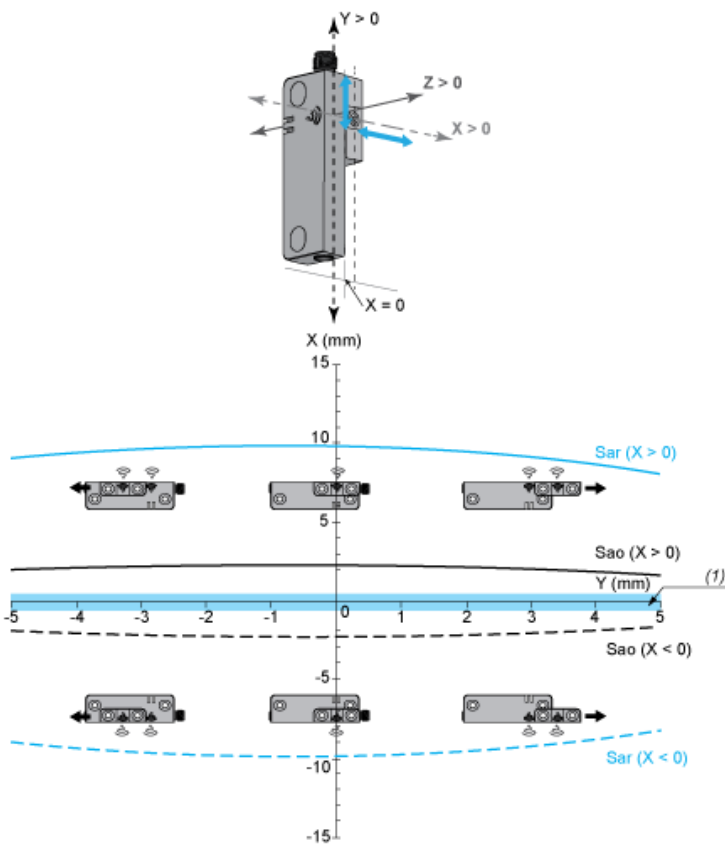


Sar: Assured release distance
 Sao: Assured operating distance
 (1) Recommended minimum mounting distance between transponder and reader.

Detection Curves

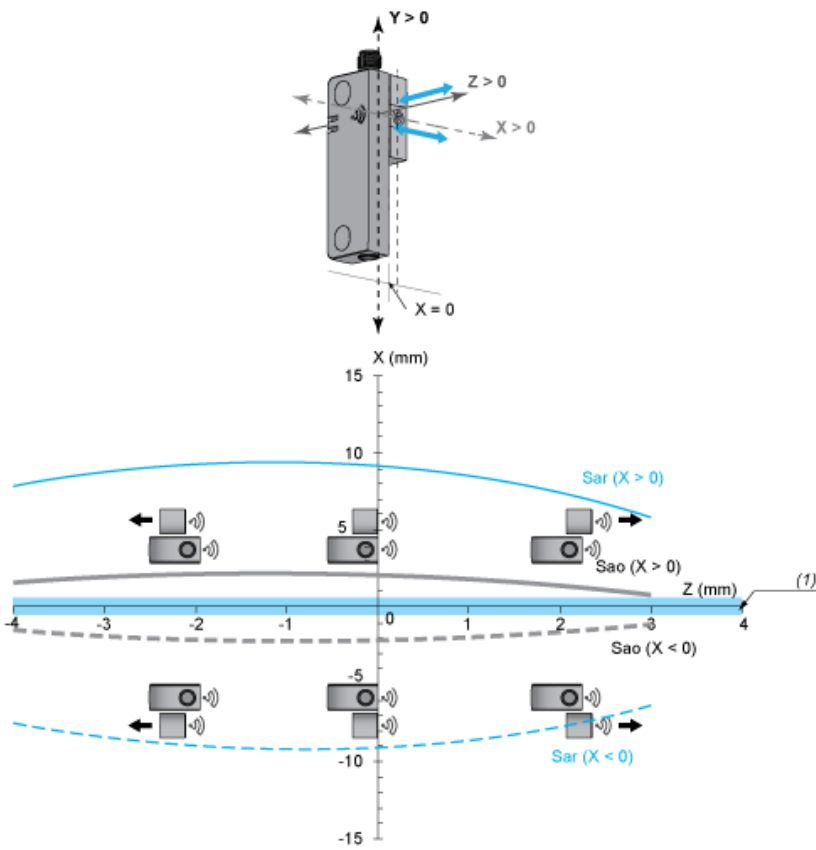
Side by Side Mounting

Sao and Sar sensing distances along Y axis as function of X (longitudinal misalignment for Z=0mm)



Sar: Assured release distance
 Sao: Assured operating distance
 (1) Recommended minimum mounting distance between transponder and reader.

Sao and Sar sensing distances along Z axis as function of X (transverse misalignment for Y=0mm)



Sar: Assured release distance

Sao: Assured operating distance

(1) Recommended minimum mounting distance between transponder and reader.

X-ON Electronics

Largest Supplier of Electrical and Electronic Components

Click to view similar products for [telemecanique](#) manufacturer:

Other Similar products are found below :

[9007CO54B2](#) [9007B3](#) [9007F4](#) [9007FA2](#) [AC118](#) [XCSL784B3](#) [XCSTE5513](#) [XZCP0266L5](#) [XZCPV1965L5](#) [ZCKE67](#) [ZCPED44](#)
[XZCPV1041L5](#) [XZCP29P12L2](#) [XUZASW006](#) [XUY40324](#) [XUX9APBNT16](#) [XCSPA793](#) [XCSDMP700L01M12](#) [XCSB703](#) [XCSA703](#)
[ZCKY49](#) [VM1NNO](#) [XUB9BPANL2](#) [XS7G12NA140](#) [ZCKE675](#) [XS506BSCAL01M12](#) [XUFZ920](#) [XCMD2110L5](#) [XMLG010D21](#)
[XUM9ANCNM8](#) [XU2S18PP340DR](#) [XCSPR553](#) [XCMN21F0L1](#) [9007C52G](#) [XSDH407339H7](#) [9007C54F](#) [XCSMP79L2](#) [ZCKD08](#) [XC1ZP4](#)
[XS7C4A1MPG13](#) [XS918R4PAM12](#) [ZCKY31](#) [XCKP2545P16](#) [XUB9BPBNL2](#) [XCSDMP7005](#) [XCSDMP50010](#) [XY2CE1A290](#)
[XCMD2111L1](#) [XMLP010BC71V](#) [XS208BLPAL2](#)