



Main

| | |
|---------------------------|--|
| Range of product | OsiSense XM |
| Product or component type | Electronic pressure sensors |
| Pressure sensor type | Pressure transmitter |
| Pressure sensor name | XMLP |
| Electrical circuit type | Control circuit |
| Pressure sensor size | 16 bar |
| Local display | Without |
| Controlled fluid | Air -30...135 °C Fresh water 0...135 °C Hydraulic oil -30...135 °C Gas -30...135 °C Refrigeration fluid -30...135 °C |
| Fluid connection type | G 1/4A (male) conforming to DIN 3852-E |
| Electrical connection | 1 male connector EN 175301-803-A (ex DIN43650) 3 pins |
| [Us] rated supply voltage | 24 V DC SELV, voltage limits: 12...33 V |
| Current consumption | < 7 mA |
| Type of output signal | Analogue |
| Analogue output function | 0...10 V, 3-wire |
| Quantity per set | Set of 1 |
| Type of packing | Individual |

Complementary

| | |
|---|--|
| Pressure setting range | 0...16 bar |
| Maximum permissible accidental pressure | 48 bar |
| Destruction pressure | 96 bar |
| Materials in contact with fluid | Stainless steel AISI 316L Fluorocarbon FPM |
| Operating position | Any position |
| Protection type | Load short-circuit Reverse polarity |
| Electromagnetic compatibility | 1.2/50 µs shock waves immunity test conforming to EN/IEC 61000-4-5 - test level 1 kV (f = 42 Ohm) Immunity to magnetic fields conforming to EN/IEC 61000-4-8 - test level 100 A/m (f = 50 Hz) Susceptibility to electromagnetic fields conforming to EN/IEC 61000-4-3 - test level 10 V/m (f = 80...3000 MHz) Radiated RF fields conforming to EN/IEC 61000-4-6 - test level 10 V (f = 0.01...80 MHz) Electrical fast transient/burst immunity test conforming to EN/IEC 61000-4-4 - test level 2 kV Electrostatic discharge immunity test conforming to EN/IEC 61000-4-2 - test level 8 kV air, 4 kV contact |
| [Uimp] rated impulse withstand voltage | 0.5 kV |
| Response time on output | <= 2 ms for 10...90 % of full scale |
| Measurement accuracy | +/- 0.5 % of the measuring range |
| Accuracy | 0.1 % of the measuring range |
| Drift of the sensitivity | +/- 0.02 % of measuring range/°K |
| Drift of the zero point | +/- 0.02 % of measuring range/°K |
| Mechanical durability | >= 10000000 cycles |

| | |
|----------------|----------|
| Product weight | 0.106 kg |
| Diameter | 26 mm |
| Length | 60.6 mm |

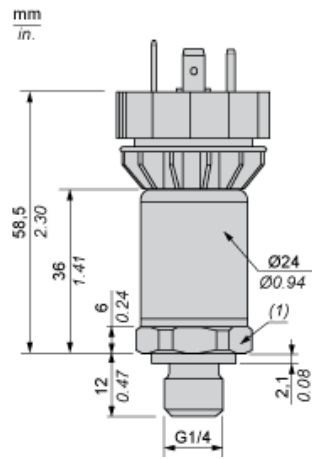
Environment

| | |
|---------------------------------------|---|
| Standards | EN/IEC 61326-2-3 NSF ANSI 61 |
| Product certifications | CE CULus RCM EAC |
| Protective treatment | TC |
| Ambient air temperature for operation | -30...85 °C |
| Ambient air temperature for storage | -50...100 °C |
| Vibration resistance | 20 gn (f = 15...2000 Hz) conforming to EN/IEC 60068-2-6 |
| Shock resistance | 100 gn for 11 ms conforming to EN/IEC 60068-2-27 |
| IP degree of protection | IP65 conforming to EN/IEC 60529 |

Offer Sustainability

| | |
|----------------------------------|--|
| Sustainable offer status | Green Premium product |
| RoHS (date code: YYWW) | Compliant - since 1723 - Schneider Electric declaration of conformity Schneider Electric declaration of conformity |
| REACH | Reference not containing SVHC above the threshold |
| Product environmental profile | Available |
| Product end of life instructions | Need no specific recycling operations |

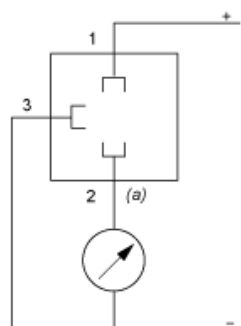
Dimensions



(1) SW24 tightening torque ≤ 25 N.m / 221 lb-in

Wiring Diagram

3-Wire Technique (0-10 V)



(a) V out

Curves



X-ON Electronics

Largest Supplier of Electrical and Electronic Components

Click to view similar products for [telemecanique](#) manufacturer:

Other Similar products are found below :

[9007CO54B2](#) [9007B3](#) [9007F4](#) [9007FA2](#) [AC118](#) [XCSSL784B3](#) [XCSTE5513](#) [XZCP0266L5](#) [XZCPV1965L5](#) [ZCKE67](#) [ZCPED44](#)
[XZCPV1041L5](#) [XZCP29P12L2](#) [XUZASW006](#) [XUY40324](#) [XUX9APBNT16](#) [XCSPA793](#) [XCSDMP700L01M12](#) [XCSB703](#) [XCSA703](#)
[ZCKY49](#) [VM1NNO](#) [XUB9BPANL2](#) [XS7G12NA140](#) [ZCKE675](#) [XS506BSCAL01M12](#) [XUFZ920](#) [XCMD2110L5](#) [XMLG010D21](#)
[XUM9ANCNM8](#) [XU2S18PP340DR](#) [XCSPR553](#) [XCMN21F0L1](#) [9007C52G](#) [XSDH407339H7](#) [9007C54F](#) [XCSMP79L2](#) [ZCKD08](#) [XC1ZP4](#)
[XS7C4A1MPG13](#) [XS918R4PAM12](#) [ZCKY31](#) [XCKP2545P16](#) [XUB9BPBNL2](#) [XCSDMP7005](#) [XCSDMP50010](#) [XY2CE1A290](#)
[XCMD2111L1](#) [XMLP010BC71V](#) [XS208BLPAL2](#)