



## Main

|                           |  |
|---------------------------|--|
| Range of product          | OsiSense XM  |
| Product or component type | Electronic pressure sensors  |
| Pressure sensor type      | Pressure transmitter   |
| Pressure sensor name      | XMLP   |
| Electrical circuit type   | Control circuit  |
| Pressure sensor size      | 2.5 bar  |
| Local display             | Without  |
| Controlled fluid          | Fresh water 0...125 °C<br>Air -15...125 °C<br>Gas -15...125 °C<br>Hydraulic oil -15...125 °C |
| Fluid connection type     | G 1/4A (male) conforming to DIN 3852-E   |
| Electrical connection     | Cable 2 m  |
| [Us] rated supply voltage | 24 V DC SELV, voltage limits: 12...33 V  |
| Current consumption       | < 7 mA   |
| Type of output signal     | Analogue   |
| Analogue output function  | 0...10 V, 3-wire   |
| Quantity per set          | Set of 1   |
| Type of packing           | Individual   |

## Complementary

|   |  |
|---|--|
| Pressure setting range                  | 0...2.5 bar  |
| Maximum permissible accidental pressure | 7.5 bar  |
| Destruction pressure                    | 10 bar   |
| Materials in contact with fluid         | Stainless steel AISI 316L<br>Fluorocarbon FPM<br>Ceramic   |
| Operating position                      | Any position   |
| Protection type                         | Load short-circuit<br>Reverse polarity   |
| Electromagnetic compatibility           | 1.2/50 µs shock waves immunity test conforming to EN/IEC 61000-4-5 - test level 1 kV (f = 42 Ohm)<br>Immunity to magnetic fields conforming to EN/IEC 61000-4-8 - test level 100 A/m (f = 50 Hz)<br>Susceptibility to electromagnetic fields conforming to EN/IEC 61000-4-3 - test level 10 V/m (f = 80...1000 MHz)<br>Electrical fast transient/burst immunity test conforming to EN/IEC 61000-4-4 - test level 2 kV<br>Radiated RF fields conforming to EN/IEC 61000-4-6 - test level 10 V (f = 0.15...80 MHz)<br>Electrostatic discharge immunity test conforming to EN/IEC 61000-4-2 - test level 8 kV air, 4 kV contact |
| [Uimp] rated impulse withstand voltage  | 0.5 kV   |
| Response time on output                 | <= 2 ms for 10...90 % of full scale  |
| Measurement accuracy                    | +/- 0.5 % of the measuring range   |
| Accuracy                                | 0.1 % of the measuring range   |
| Drift of the sensitivity                | +/- 0.02 % of measuring range/°K   |
| Drift of the zero point                 | +/- 0.02 % of measuring range/°K   |
| Repeat accuracy                         | +/- 0.25 % of the measuring range  |

|                       |                    |
|-----------------------|--------------------|
| Mechanical durability | >= 10000000 cycles |
| Product weight        | 0.171 kg           |
| Diameter              | 26 mm              |
| Length                | 57 mm              |

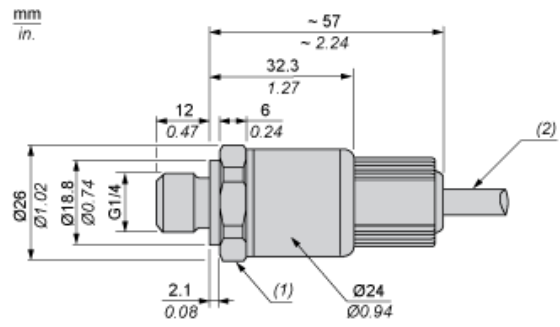
## Environment

|                                       |  |
|---------------------------------------|--|
| Standards                             | EN/IEC 61326-2-3<br>NSF ANSI 61                                    |
| Product certifications                | RCM<br>CULus<br>CE<br>EAC  |
| Ambient air temperature for operation | -30...85 °C  |
| Ambient air temperature for storage   | -50...100 °C   |
| Vibration resistance                  | 20 gn (f = 10...2000 Hz) conforming to EN/IEC 60068-2-6            |
| Shock resistance                      | 100 gn for 11 ms conforming to EN/IEC 60068-2-27                   |
| IP degree of protection               | IP65 conforming to EN/IEC 60529<br>IP67 conforming to EN/IEC 60529 |

## Offer Sustainability

|                                  |  |
|----------------------------------|--|
| Sustainable offer status         | Green Premium product  |
| RoHS (date code: YYWW)           | Compliant - since 1541 - Schneider Electric declaration of conformity <a href="#">Schneider Electric declaration of conformity</a> |
| REACH                            | Reference not containing SVHC above the threshold  |
| Product environmental profile    | Available <a href="#">Product Environmental</a>  |
| Product end of life instructions | Need no specific recycling operations  |

Dimensions



- (1) SW24 tightening torque  $\leq 25$  N.m / 221 lb-in
- (2) Cable

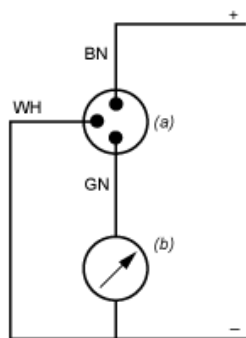
---

## Connection and Schema

---

### Wiring Diagram

3-Wire Technique (0-10 V)



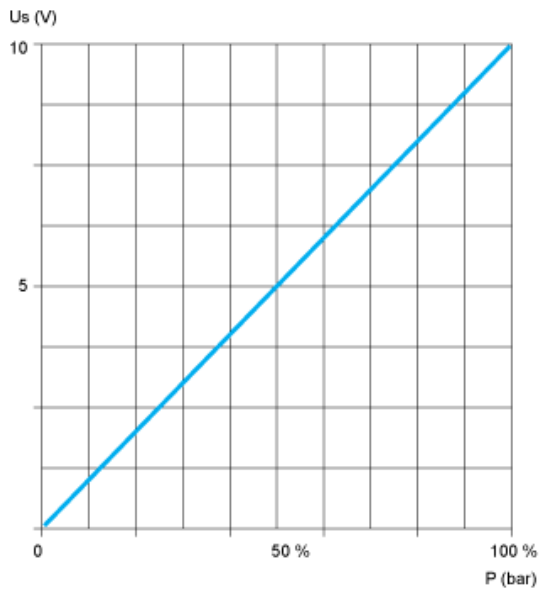
- (a) PVC cable
- (b) V out

---

Performance Curves

---

Curves



## X-ON Electronics

Largest Supplier of Electrical and Electronic Components

*Click to view similar products for [telemecanique](#) manufacturer:*

Other Similar products are found below :

[9007CO54B2](#) [9007B3](#) [9007F4](#) [9007FA2](#) [AC118](#) [XCSL784B3](#) [XCSTE5513](#) [XZCP0266L5](#) [XZCPV1965L5](#) [ZCKE67](#) [ZCPED44](#)  
[XZCPV1041L5](#) [XZCP29P12L2](#) [XUZASW006](#) [XUY40324](#) [XUX9APBNT16](#) [XCSPA793](#) [XCSDMP700L01M12](#) [XCSB703](#) [XCSA703](#)  
[ZCKY49](#) [VM1NNO](#) [XUB9BPANL2](#) [XS7G12NA140](#) [ZCKE675](#) [XS506BSCAL01M12](#) [XUFZ920](#) [XCMD2110L5](#) [XMLG010D21](#)  
[XUM9ANCNM8](#) [XU2S18PP340DR](#) [XCSPR553](#) [XCMN21F0L1](#) [9007C52G](#) [XSDH407339H7](#) [9007C54F](#) [XCSMP79L2](#) [ZCKD08](#) [XC1ZP4](#)  
[XS7C4A1MPG13](#) [XS918R4PAM12](#) [ZCKY31](#) [XCKP2545P16](#) [XUB9BPBNL2](#) [XCSDMP7005](#) [XCSDMP50010](#) [XY2CE1A290](#)  
[XCMD2111L1](#) [XMLP010BC71V](#) [XS208BLPAL2](#)