

# 6226 - 0003 Foot Switch

# herga

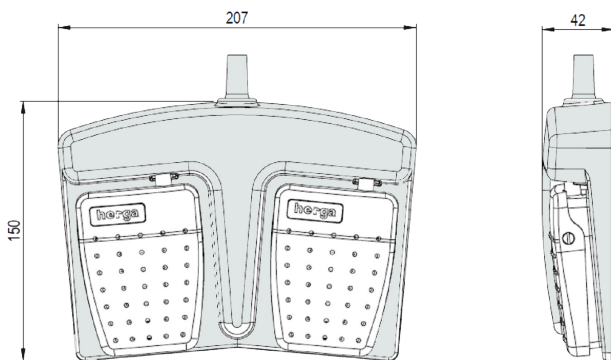
Technology Ltd

Special double-pedal version of 6226 series footswitch with IPX7 rating

- Low profile, rear hinged switch designed for improved user comfort
- Grey cover with Herga logo fitted on a black base
- Fitted to a black moulded 2 pedal base
- Momentary action with normally open contacts
- Option for customers to fit own cable



## Reference dimensions



The 6226-0003 is a stock model

## General specifications

Standards/approvals	Footswitch: EN 60950, EN 60601-1:2006, UL 60601-1:2005, ANSI/AAMI ES60601-1:2005/(R)2012, CSA-C22.2 No 60601-1:14, UL File N° E353500
Degree of protection	EN 60529 IPX7
Connection method	2 metres of 3-core cable
Max. electrical rating	3A 24VAC/DC
Contact configuration	Normally Open contacts
Action	Momentary

Operating temperature range	-20°C to +60°C
Body material	Thermoplastic
Weight	550 grams (including cable)
Additional information	Customized versions available (logos, cordsets, colours, guards)

## **X-ON Electronics**

Largest Supplier of Electrical and Electronic Components

*Click to view similar products for [herga manufacturer](#):*

Other Similar products are found below :

[6433-0019](#) [6289-PP](#) [6254-OB](#) [6442-OW](#) [6438-ACAC-AB00](#) [6227-0004](#) [6289-01](#) [6251-BAAA-CBZ0](#) [6226-0003](#) [6438-ABAB-AB00](#) [6289-CC](#) [6753-AEJA-A000](#) [6448-AAAB-0000](#) [6871-0C](#)