

6311 Bluetooth® Housed Receiver – 6311-BLE-002

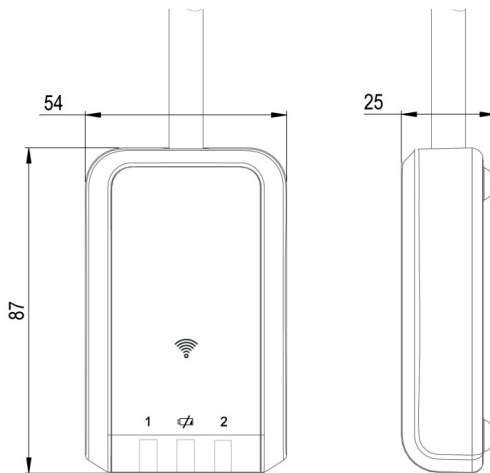
herga

Technology Ltd

- Secure PAN (Personal Area Network), with up to 2 transmitters
- Ultra low power with 1µA sleep current
- Range: Nominally 10 m (up to 25 m line of sight, Latency may increase with range)
- Selectable Latency:
 - Setting 1. Typically <150 ms at 10 m
 - Setting 2. Typically <75 ms at 10 m
- LED indication of battery status
- Choice of 15 or 60 minutes timeout for further battery conservation
- Auto wake from sleep/re-connect on press of the pedal



Reference dimensions

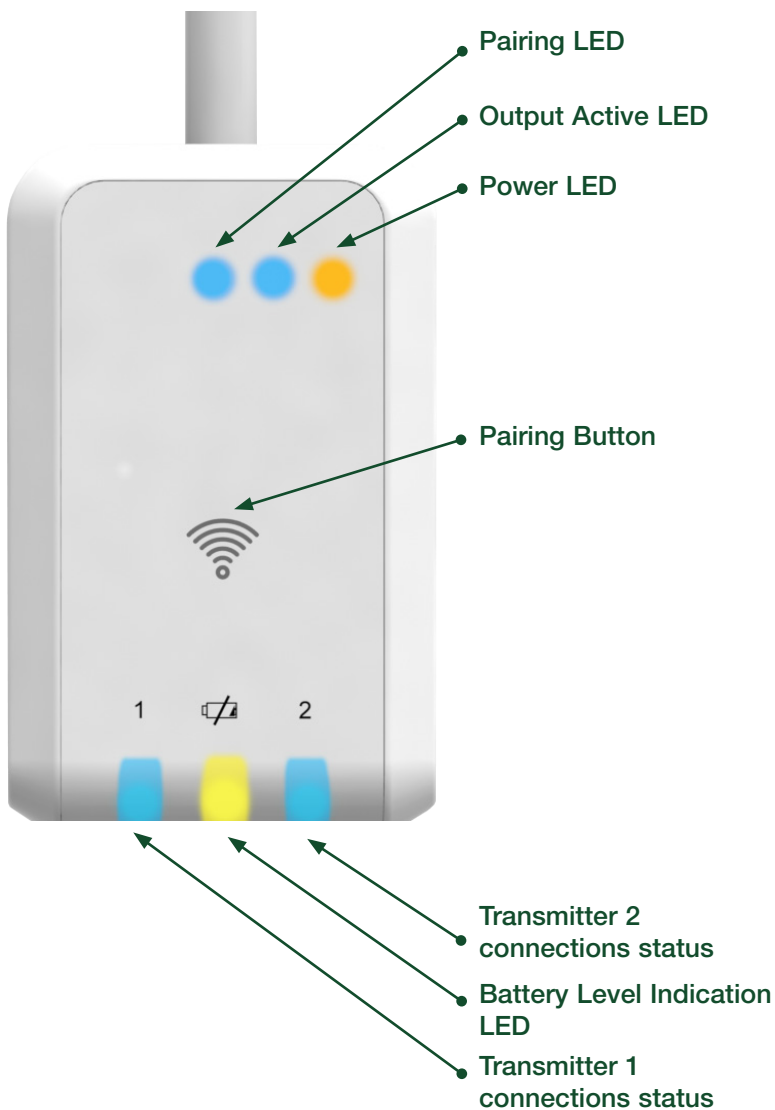


Specifications

Supply rating	12-24V DC
Output configuration	Switch output: Normally open contact relay (1.75A 24V DC MAX)
Degree of protection	EN 60529 IP44
Connections	Cable connections via 300mm long cable with free wire ends: <ul style="list-style-type: none"> • Power connections • Relay outputs • Battery Indication output • PWM output
Storage temperature	-20 to +65°C
Operating temperature	0 to +40°C

Body material	Thermoplastic
Standards/approvals	Low Voltage Directive 2014/35/EU, REACH, RoHS & WEEE
Radio type approvals	Europe (ETSI RED) US (FCC/CFR 47 part 15 unlicensed modular transmitter approval) Canada (IC RSS)
Certification and compliance	Radio Equipment Directive 2014/53/EU: <ul style="list-style-type: none"> • Effective use of frequency spectrum: EN 300 328 • EMC: EN 301 489-1, EN 301 489-17, EN 61000-6-2 • Health and safety: EN62479, EN 60950-1 Medical Device Directive 93/42/EEC: <ul style="list-style-type: none"> • EN 60601-1-2 Compliant (Customer's risk assessment required) • EN 60601-1

The Bluetooth® word mark and logos are registered trademarks owned by Bluetooth SIG, Inc. and any use of such marks by Herga Technology is under license. Other trademarks and trade names are those of their respective owners.



Removing the rear panel gives the user access to switches for setting the latency of the system and sleep timeout of the connected transmitters

Cable connections

Function	Wire colour
12-24VDC In	Red
0V	Black
Battery Indication output	Violet
PWM Output	Pink
Relay Output 1	Blue
	Blue/Red
Relay Output 2	Green
	Green/White
Relay Output 3	Brown
	Brown/Green
Relay Output 4	Yellow
	Yellow/Brown
Relay Output 5	White
	White/Yellow
Relay Output 6	Grey
	Grey/Pink

For full instructions for use of the Herga wireless footswitch systems visit www.herga.com

X-ON Electronics

Largest Supplier of Electrical and Electronic Components

Click to view similar products for [herga manufacturer](#):

Other Similar products are found below :

[6433-0019](#) [6289-PP](#) [6254-OB](#) [6442-OW](#) [6438-ACAC-AB00](#) [6227-0004](#) [6289-01](#) [6251-BAAA-CBZ0](#) [6226-0003](#) [6438-ABAB-AB00](#) [6289-CC](#) [6753-AEJA-A000](#) [6448-AAAB-0000](#) [6871-0C](#)