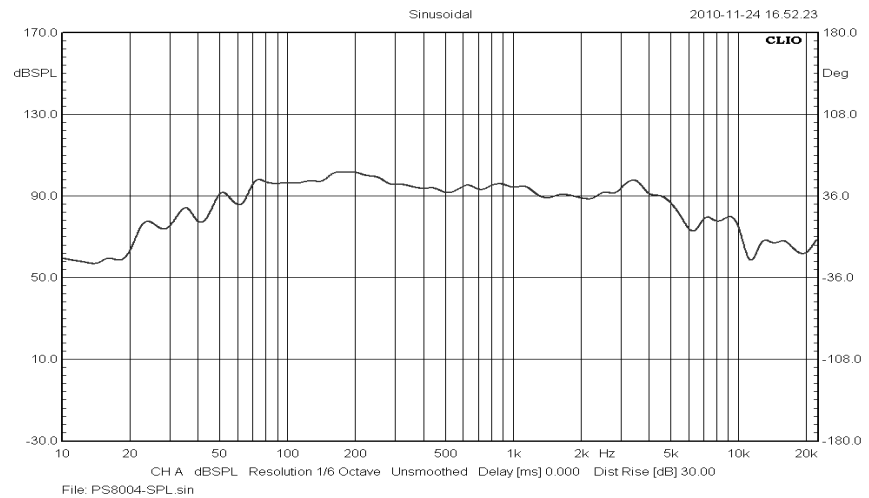
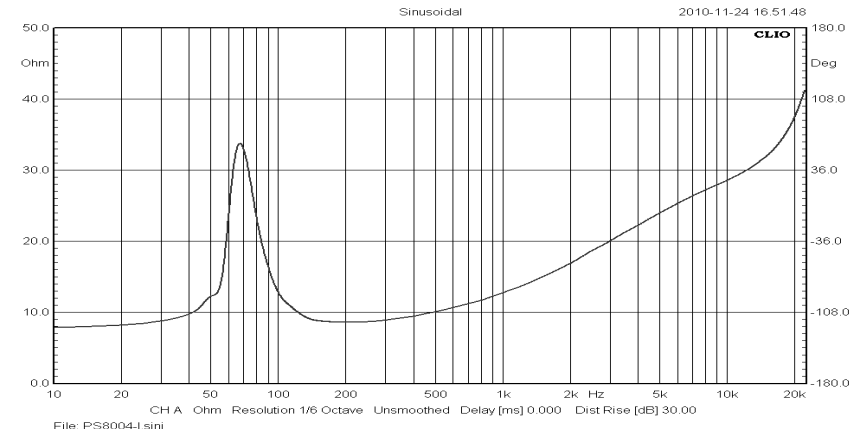
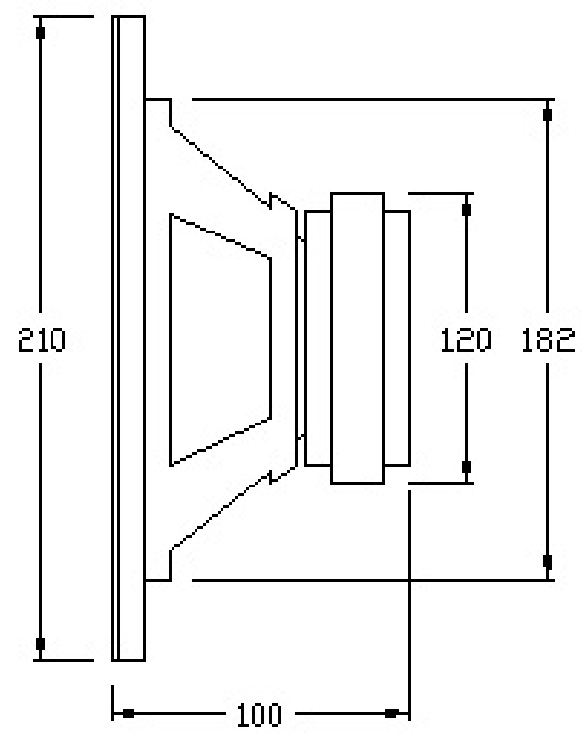
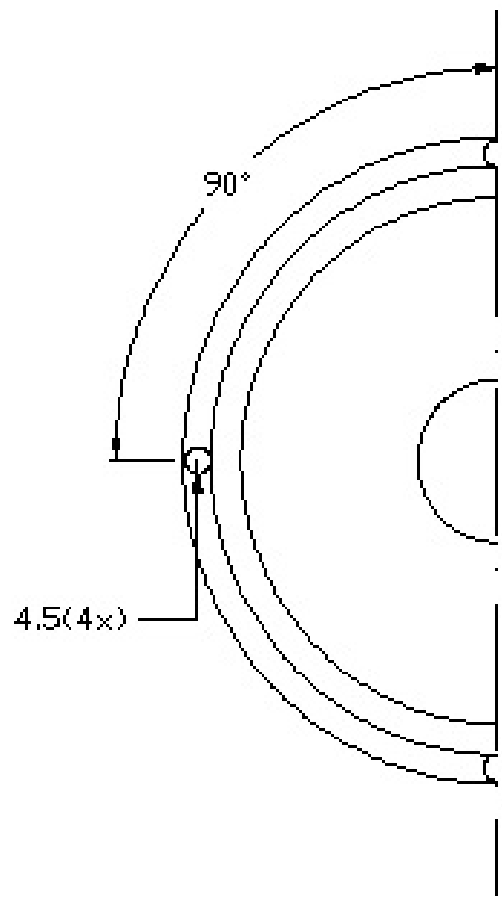


| | | |
|--------------------------------|--------------------|-----------------------|
| Model Number: | 55-2960 | |
| GENERAL SPECIFICATIONS | | |
| Nominal Diameter: | 8 inch | |
| Rated Lmpedance: | 8 ohms | |
| Operating Bandwidth: | 45Hz ~ 6KHz (-3dB) | |
| Power Handling Capacity: | 160 Watts | |
| Sensitivity (1W/M): | 92 dB (±3dB) | |
| Voice Coil Diameter: | 2 inch | |
| THIELE-SMALL PARAMRTERS | | |
| Resonance Frequency | Fs: | 68 Hz |
| DC Resistance | Re: | 6.8 ohm |
| Mechanical Q Factor | Qms: | 3.3 |
| Electrical Q Factor | Qes: | 0.688 |
| Total Q Factor | Qts: | 0.569 |
| Equivalent Cas air load | Vas: | 10.8561 liters |
| Surface Area of Cone | Sd: | 0.0201 m ² |
| Efficiency Bandwidth Product | EBP | 98.8 |
| Voice Coil Over Hang | X-max | 5.4 mm |
| PHYSICAL INFORMATION | | |
| Basket: | Cast Aluminium | |
| Magnet Type: | 30 OZ | |
| Cone Material: | None press paper | |
| Surround: | cloth | |
| Dust Cap: | paper | |
| Damper: | cloth | |





ALL DIMENSIONS ARE IN MILLIMETERS

X-ON Electronics

Largest Supplier of Electrical and Electronic Components

Click to view similar products for [mcm manufacturer](#):

Other Similar products are found below :

[NWTBATCAPMB13](#) [27-505](#) [27-4200](#) [27-840](#) [28-5958](#) [50-10820](#) [28-1510](#) [27-5918](#) [27-5977](#) [24-12352](#) [287-14020](#) [28-6023](#) [35SPS-3](#) [28-6008](#) [21-4605](#) [21-4575](#) [21-19084](#) [21-12825](#) [27-570](#) [28-1525](#) [83-17604](#) [27-5833](#) [27-6020](#) [24-12345](#) [28-6017](#) [28-6032](#) [21-18966](#) [30-1530](#) [28-970](#) [27-560](#) [26-120](#) [CA68B](#) [24-12344](#) [28-6005](#) [24-13075](#) [PCM-2100-50](#) [21-18956](#) [28-6080](#) [24-5360](#) [24-1040](#) [27-5917](#) [28-6031](#) [HD15MM35N-100F](#) [28-975](#) [27-4270](#) [85-11102](#) [27-5940](#) [27-5949](#) [27-6112](#) [HD15MM35N-6F](#)