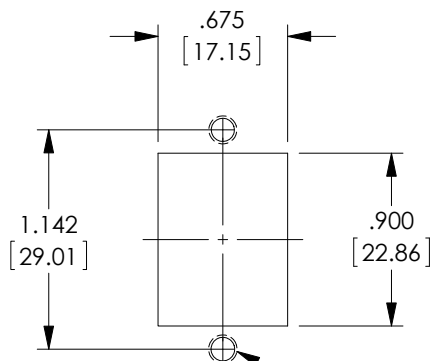


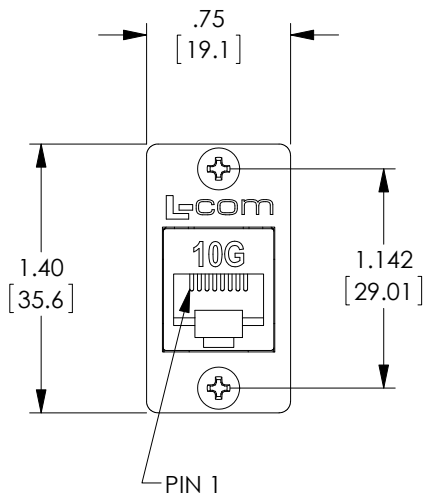
THE INFORMATION CONTAINED IN THIS DRAWING IS THE SOLE PROPERTY OF L-COM, INC. ANY REPRODUCTION IN PART OR WHOLE WITHOUT THE WRITTEN PERMISSION OF L-COM, INC. IS PROHIBITED.

REVISIONS			
REV	DESCRIPTION	DATE	APPROVED
A	INITIAL RELEASE	10/30/13	D.GRIFFIN
B	ECN 8536: REMOVED COUPLER COLOR: WHITE, AND FORMAT	10/28/16	D.FRISIELLO

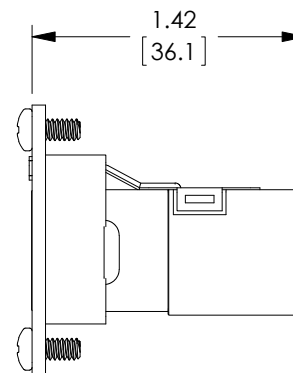


RECOMMENDED
PANEL CUTOUT

2X, 4-40 UNC-2B
THREAD

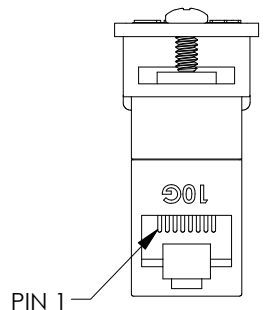
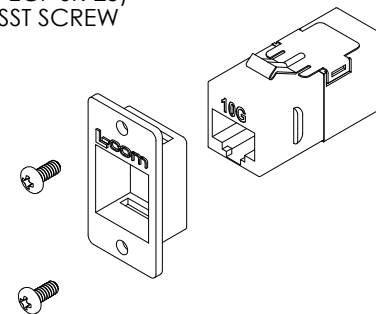


PIN 1



KIT CONTAINS:

- 1 - COUPLER (L-COM P/N# TDG1026KS-RC6A)
- 1 - FLANGE ADAPTER (L-COM P/N# ECF-SK-25)
- 2 - #4-40 UNC-2A x 1/4" LG PHILIPS SST SCREW



NOTES:

MATERIALS:
 FLANGE MOUNT ADAPTER: ZINC ALLOY
 COUPLER: ABS, UL94V-0
 CASING: BRASS
 HARDWARE: STAINLESS STEEL

FINISH:
 FLANGE MOUNT ADAPTER: NICKEL PLATE
 CASING: NICKEL PLATE

1. COUPLER KIT IS SUPPLIED UN-ASSEMBLED IN ACCORDANCE WITH L-COM SPECIFICATION PS-0031.
2. ALL DIMENSIONS ARE FOR REFERENCE ONLY.

REGULATORY COMPLIANCE:
 CE2011/65/EU(RoHS DIRECTIVE)

UNLESS OTHERWISE SPECIFIED, DIMENSIONS ARE IN INCHES [mm] OVERALL CABLE LENGTH TOLERANCE: ≤12 [305] = +1 [25] / -0 >12 [305] ≤60 [1524] = +2 [51] / -0 >60 [1524] ≤120 [3048] = +4 [102] / -0 >120 [3048] ≤300 [7620] = +6 [152] / -0 >300 [7620] = +5% / -0% ALL OTHER DIMENSIONAL TOLERANCES: .X = ±.2 [5.08] .XX = ±.02 [51] .XXX = ±.005 [1.27]	APPROVALS D.FRISIELLO	DATE 10/29/13		50 HIGH STREET NORTH ANDOVER, MA 01845		
	CHECKED BY D.GUITADAURO	DATE 10/29/13		CATEGORY TELECOM/MODULAR		
	APPROVED BY M.MARTINEZ	DATE 10/29/13	PRODUCT DESCRIPTION CAT6A RJ45 SHD RA PNL CPLR KIT			
	PROJECTION 	COLOR VARIATIONS MAY OCCUR	SIZE A	FSCM NO. 43321	DWG. NO. ECF504-SR6A	REV. B
		SCALE: NONE	CAD FILE: ECF504-SR6A.SLDDRW		SHEET 1 OF 1	

X-ON Electronics

Largest Supplier of Electrical and Electronic Components

Click to view similar products for [l-com](#) manufacturer:

Other Similar products are found below :

[FOA-550A](#) [UMC-201](#) [CSMN50MF-5](#) [CSMNB15MF-15](#) [TRD815RA2BL-5](#) [CA3A-90DA-1M](#) [CTLF3VGAMM-20](#) [HDCAMM-3](#)
[U3A00007-05M](#) [U3A00014-03M](#) [CSMT15MF-10](#) [CSMT15MM-15](#) [CSMT15MM-25](#) [CSPL15MF-50](#) [CSPL25MF-25](#) [CSPL9MF-10](#)
[CSPL9MF-5](#) [CSPL25MF-5](#) [CSPL25MF-2.5](#) [AL-IPEPS](#) [NB201611-10F-1](#) [TDG1026KC5-MNL](#) [NB121005-10F](#) [TRD855SRA6DBL-10M](#)
[TRD855SRA7DBL-1M](#) [TRD855SRA7DBL-10M](#) [U2A00017-05M](#) [PR175SCDLCQ24](#) [TRG508-T4T-3M](#) [TRA5261-15F](#) [TRA5261S-1F](#)
[TRA6261-1F](#) [USBBFT](#) [DGB25M](#) [HG2403RD-RSF](#) [CASATAL-18](#) [CSM25MM-10](#) [CSM37MF-10](#) [CSUSB-100](#) [CA3A-90RA-1M](#) [CA3A-](#)
[90MICB-1M](#) [U2A00003-3M](#) [U3A00003-05M](#) [U2A00008-12I](#) [U3A00007-075M](#) [U3A00007-1M](#) [HGV-903U](#) [CSMT15MF-5](#)
[CSMT15MM-50](#) [CSPL15MF-25](#)