

# MCM AUDIO SELECT™

## Sealed Back - Poly Treated Cone Midrange

### 5" Sealed Back Midrange

Ideal for any three way speaker system in home , automotive or prosound applications. Sealed back design ensures consistent performance regardless of mounting arrangement, and greatly eases cabinet design and construction when incorporating into your own designs.

#### Features

- Broad frequency range
- Poly treated paper cone
- Foam surround
- Fully enclosed stamped steel frame
- 13.3 oz. magnet
- 1" voice coil
- 

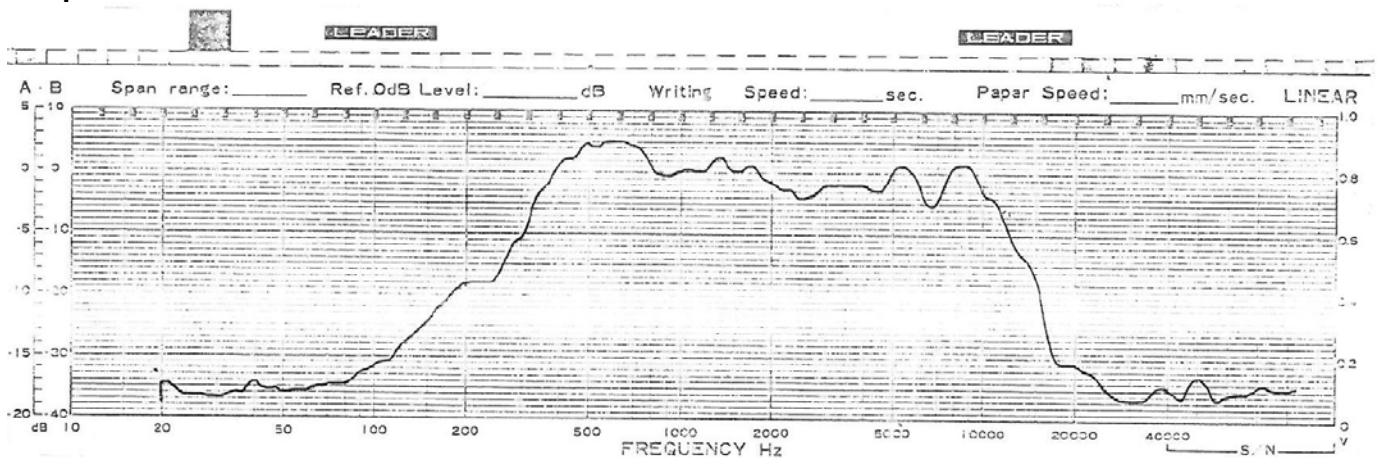
#### Specifications:

- Power capacity: 50W/70W RMS/peak
- Nominal impedance: 8Ω
- Frequency response: 500Hz ~ 10KHz
- Sensitivity: 94dB (W/M)
- 

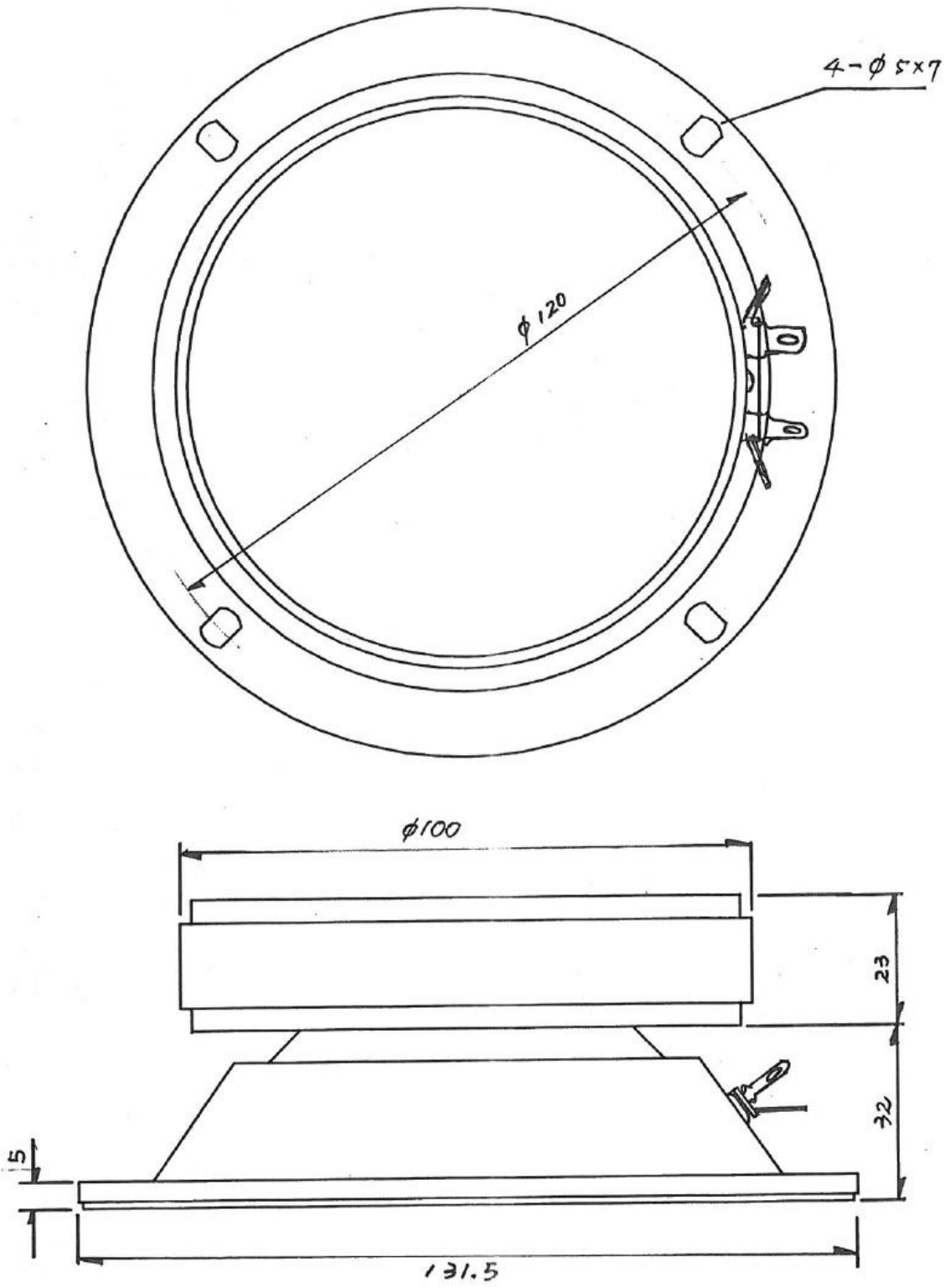
#### Dimensions:

- Overall frame diameter: 5.18"
- Required cutout: 4.33"
- Mounting depth: 2.17"

### Response Curve:



Dimensions (mm):



## **X-ON Electronics**

Largest Supplier of Electrical and Electronic Components

*Click to view similar products for [mcm manufacturer](#):*

Other Similar products are found below :

[NWTBATCAPMB13](#) [27-505](#) [27-4200](#) [27-840](#) [28-5958](#) [50-10820](#) [28-1510](#) [27-5918](#) [27-5977](#) [24-12352](#) [287-14020](#) [28-6023](#) [35SPS-3](#) [28-6008](#) [21-4605](#) [21-4575](#) [21-19084](#) [21-12825](#) [27-570](#) [28-1525](#) [83-17604](#) [27-5833](#) [27-6020](#) [24-12345](#) [28-6017](#) [28-6032](#) [21-18966](#) [30-1530](#) [28-970](#) [27-560](#) [26-120](#) [CA68B](#) [24-12344](#) [28-6005](#) [24-13075](#) [PCM-2100-50](#) [21-18956](#) [28-6080](#) [24-5360](#) [24-1040](#) [27-5917](#) [28-6031](#) [HD15MM35N-100F](#) [28-975](#) [27-4270](#) [85-11102](#) [27-5940](#) [27-5949](#) [27-6112](#) [HD15MM35N-6F](#)