

SPECIFICATIONS

ITEMS	SPECIFICATIONS
1 DIMENSIONS	307 MM (12 NCH)
2 IMPEDANCE	8 ± 1.2 OHM(0.15 KHz 1.0 V)
3 INPUT	RATED - W , MAX 200 W
4 LOWEST RESONANT FREQUENC	25 ± 5 Hz (1.0 V)
5 SOUND PRESSURE LEVEL	98 ± 2 dB/W (2.83 V , 0.5 M) AVERANE AT 0.1 , 0.15 , 0.2 , 0.3 KHz
6 EFFECTIVE FREQUENCY RANGE	FO ~ 3000 Hz
7 DISTORTION FACTOR	5.0 % MAX (AT 0.15 KHz , 10 W , 0.5 M)
8 FLUX DENSITY	— ± — GAUSS
9 TOTAL FLUX	— ± — MAXWELL
10 POLARITY	WHEN A POSITIVE DC CURRENT IS APPLIED TO THE TERMINAL MARKED + , THE DIAPHRAGM SHALL MOVE FORWARD .
11 SINE WAVE TEST	10 V
12 MAGNET	145 · 75 · 20 MM(1209 GRAMS) (42.65 OZ) · · MM(GRAMS)(OZ)
13 WEIGHT	3900 GRAMS (137.57 OZ)
14 DROP TEST	THE SPEAKER SHALL BE DROPPED ALONG A FLAT PLATE 15° INCLINED FROM THE VERTICAL. THEN LET THE MAGNETIC FIELD PART IMPACT THE MAHOGANY BLOCK AT THE BOTTOM OF THE SLIDE. NO ANY STRUCTURAL OR ACOUSTIC DEFECT SHALL OCCUR AS A RESULT OF THIS TEST. THE DROP DISTANCE IS 1 METER.
15 LIFE TEST	200 W 96 H EIA WHITE NOISE
16 HUMIDITY TEST	43 °C 92 2 % RH 96 H
17 TEMPERATURE TEST	70 °C 96 H

DESIGE	CHARGE	HEAD	MANAGER

MCM Audio Select Model 55-1220

SCIENTIFIC DESIGN SOFTWARE
Driver Parameters From Measurement Data

Entered Data as Follows:

Entered driver DC resistance (Re)	6.80 ohms	
Entered driver resonance frequency (Fs)	26.00 hertz	
Entered driver maximum impedance at Fs	53.30 ohms	
Entered driver F1 frequency	14.70 hertz at	19.00 ohms
Entered driver F2 frequency	46.00 hertz at	19.00 ohms
Calculated Square root of F1*F2	26.00 hertz	
Calculated error factor	0.00 percent	
Compliance calculated by ADDED MASS method		
Entered added mass	30.00 grams	
Entered driver new resonance frequency	22.00 hertz	
Entered driver piston diameter	253.00 mm	
Entered driver magnet gap depth	8.00 mm	
Entered driver voice coil length	12.50 mm	

Calculated Thiele/Small Parameters:

Free Air Resonance (Fs)=SQR(F1*F2)	26.00 hertz	
Qts	0.2967	
Qes	0.3401	
Qms	2.33	
Equivalent acoustic compliance (Vas)	175.88 liters	
Piston area (Sd)	0.0503 square meters	
DC resistance (Re)	6.80 ohms	
Volume displacement (Vd)	113.11 ccm	
Linear displacement (Xmax)	2.25 mm	
Coil Inductance (Le)	2.15 uH	
Reference Efficiency (Ref Eff)	0.87 percent	
Efficiency Bandwidth Product (EBP)	76.45 hertz	

Other Calculated Data:

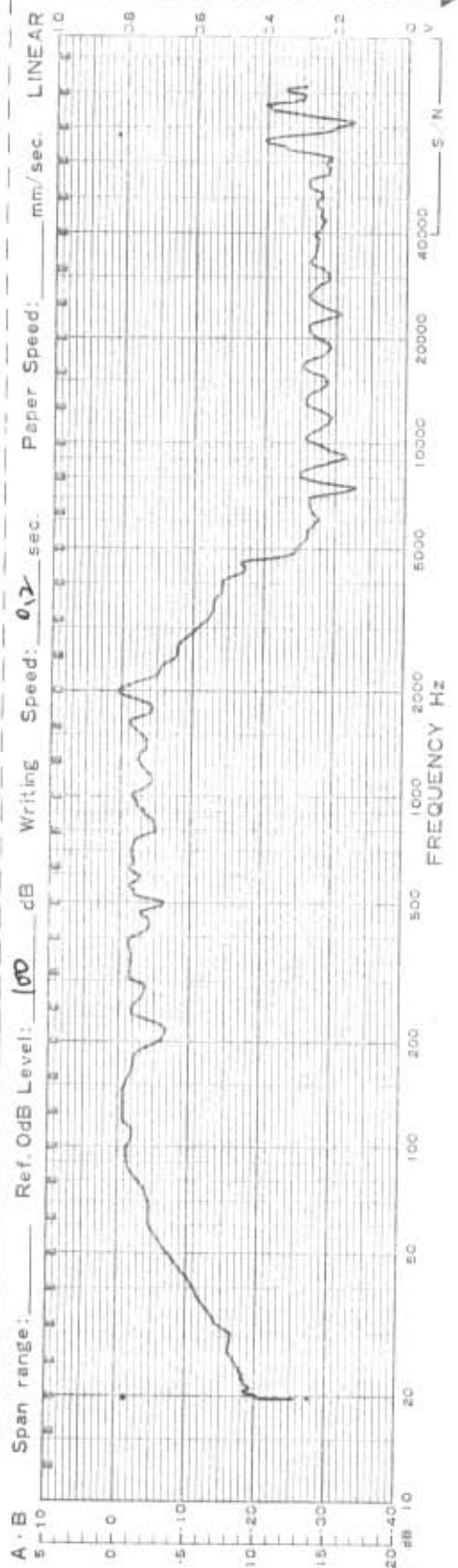
Moving Mass of Diaphragm only (Mmd)	69.23 grams	
Moving Mass of Diaphragm & Air Load (Mms)	75.63 grams	
Mass of Air load on diaphragm (Ma)	6.40 grams	
Compliance (Cms)	0.00050 m/N	
BL product (BL)	15.72 N/A	
Sensitivity (SPL 1w/1m)	91.41 dB	

END OF REPORT



LEADER

LEADER



A-B Span range: _____ Ref. 0dB Level: 100 dB Writing Speed: 0.12 sec. Paper Speed: _____ mm/sec. LINEAR

LEADER

Measuring Obj.:

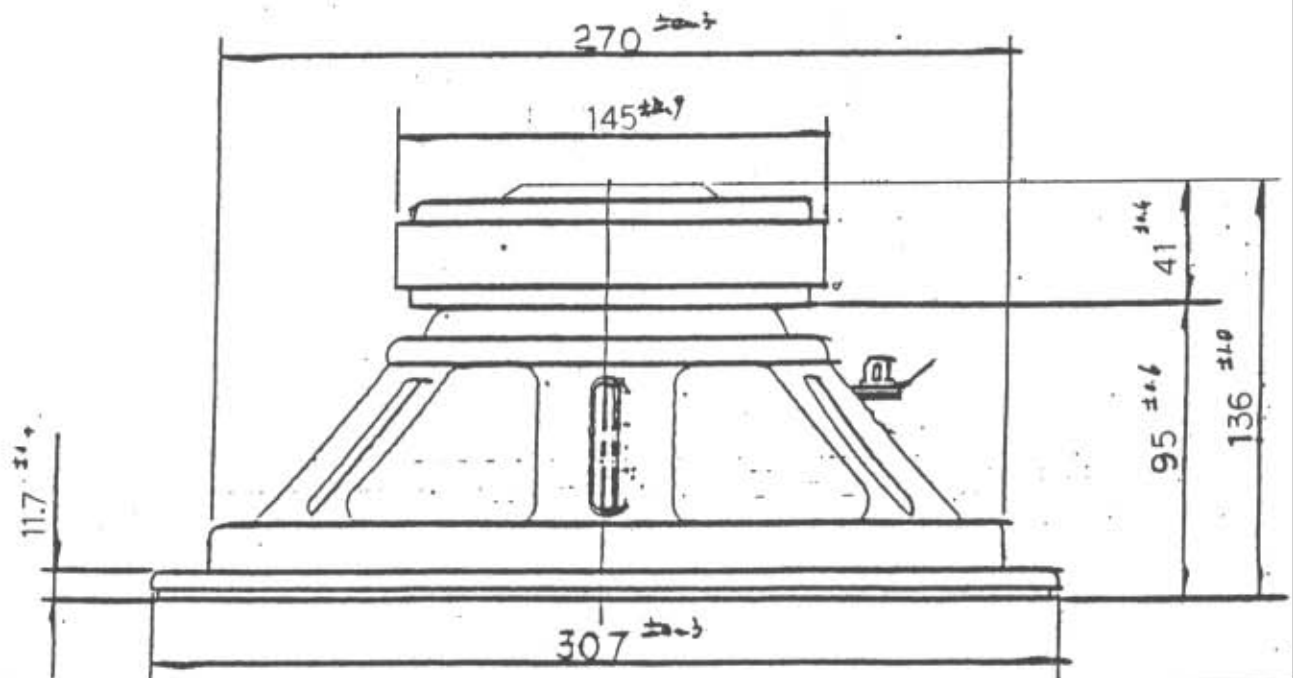
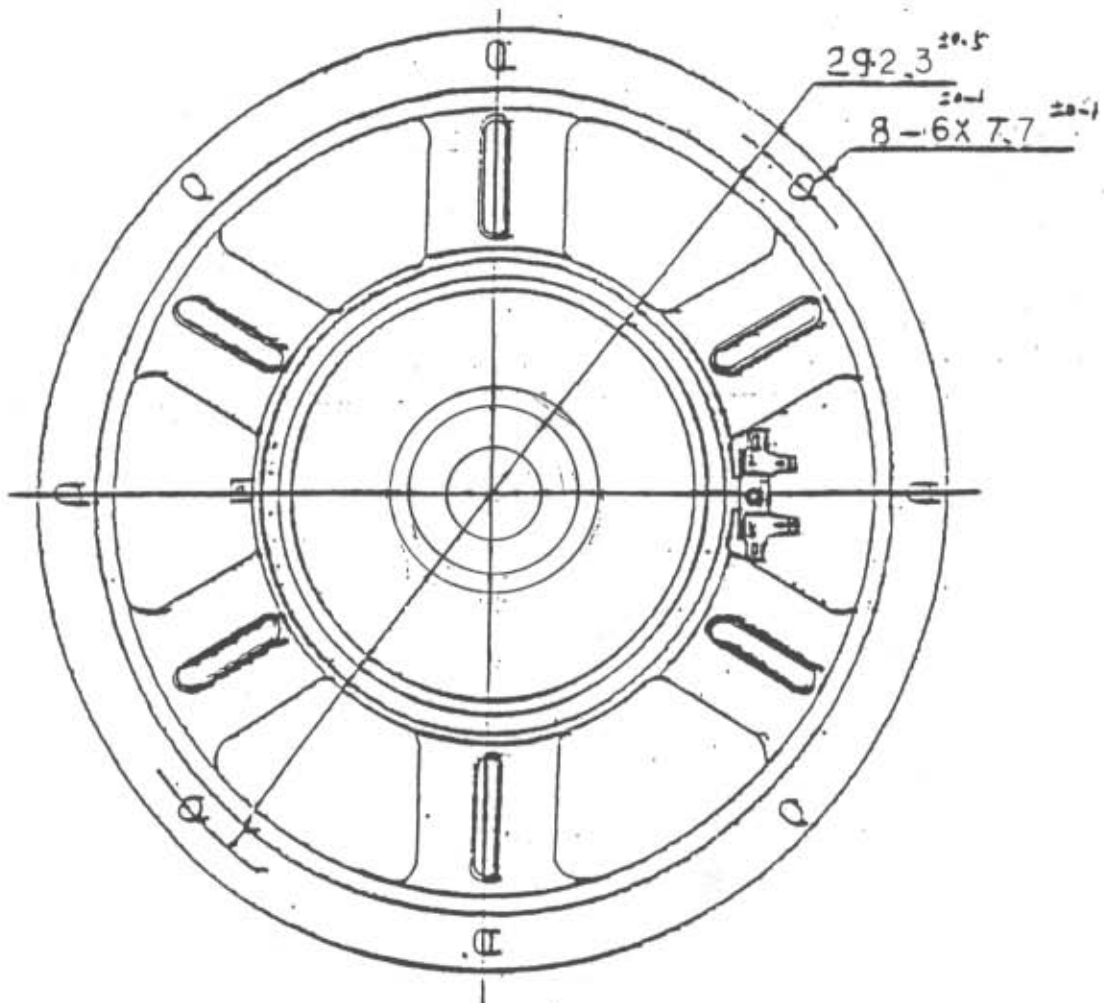
*40 > 25 Hz
IMP: 8 Ω*

Rec. No. _____

Date _____

Sign. _____

LC-056 JAPAN



MCM Audio Select Model 55-1220

X-ON Electronics

Largest Supplier of Electrical and Electronic Components

Click to view similar products for [mcm manufacturer](#):

Other Similar products are found below :

[NWTBATCAPMB13](#) [27-505](#) [27-4200](#) [27-840](#) [28-5958](#) [50-10820](#) [28-1510](#) [27-5918](#) [27-5977](#) [24-12352](#) [287-14020](#) [28-6023](#) [35SPS-3](#) [28-6008](#) [21-4605](#) [21-4575](#) [21-19084](#) [21-12825](#) [27-570](#) [28-1525](#) [83-17604](#) [27-5833](#) [27-6020](#) [24-12345](#) [28-6017](#) [28-6032](#) [21-18966](#) [30-1530](#) [28-970](#) [27-560](#) [26-120](#) [CA68B](#) [24-12344](#) [28-6005](#) [24-13075](#) [PCM-2100-50](#) [21-18956](#) [28-6080](#) [24-5360](#) [24-1040](#) [27-5917](#) [28-6031](#) [HD15MM35N-100F](#) [28-975](#) [27-4270](#) [85-11102](#) [27-5940](#) [27-5949](#) [27-6112](#) [HD15MM35N-6F](#)