

MCM AUDIO SELECT™

www.mcmelectronics.com

Model #55-1870

ITEMS:	SPECIFICATIONS:	VOICE COIL PARAMETERS:
Dimensions	130.5mm (5 inches)	Voice coil diameter 25.4 (mm)
Impedance	8 ohms	Voice coil length 8.0 (mm)
Input	RATED - W, MAX 100 W	Voice coil layers 2
Free air resonance	55 ± 11 Hz	Voice coil inductance 0.59 (mH)
Sensitivity	87 ± 2 dB/W/M , 2.83 V	
Frequency range	FO ~ 17K Hz	
Sine wave test	8 V	
Weight	960 grams	
Life test	30 W 96 H EIA white noise	
Humidity test	43 °C 92 % RH 96 H	

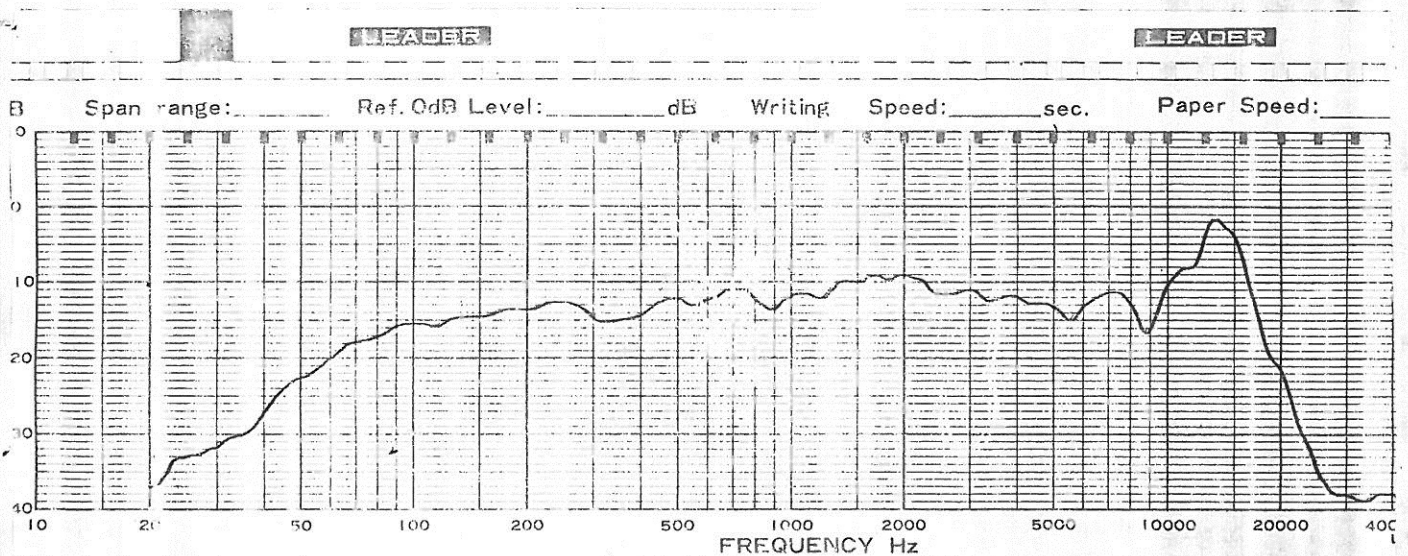
MAGNET:

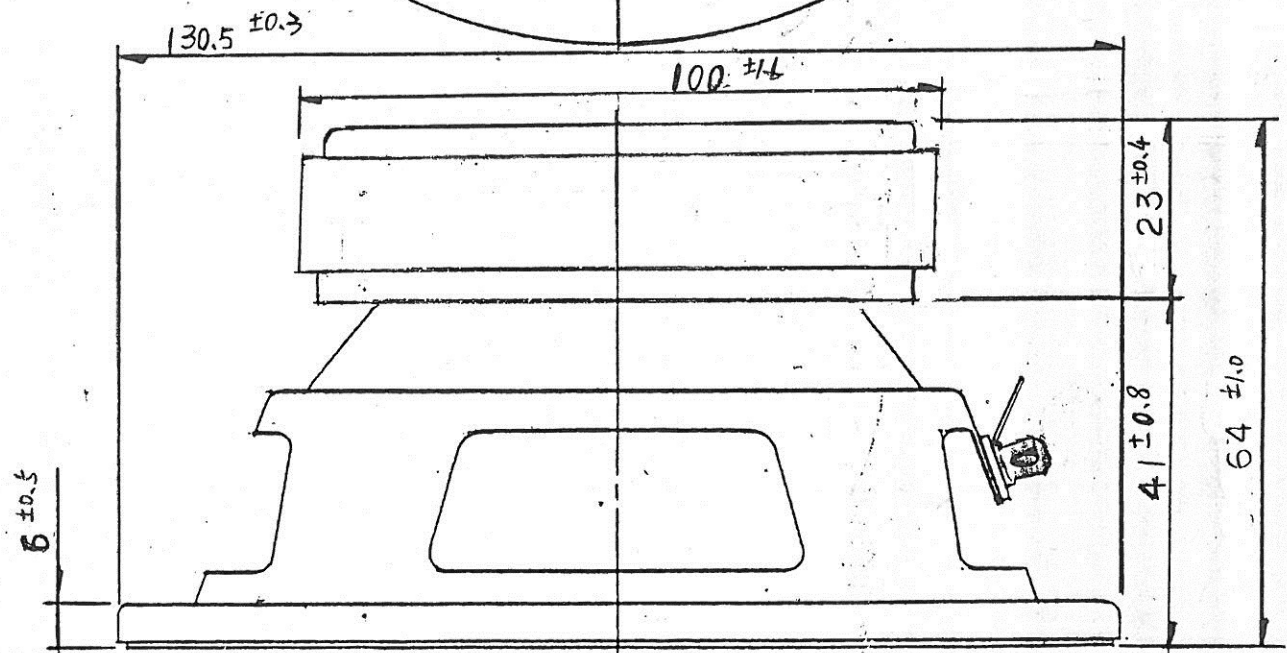
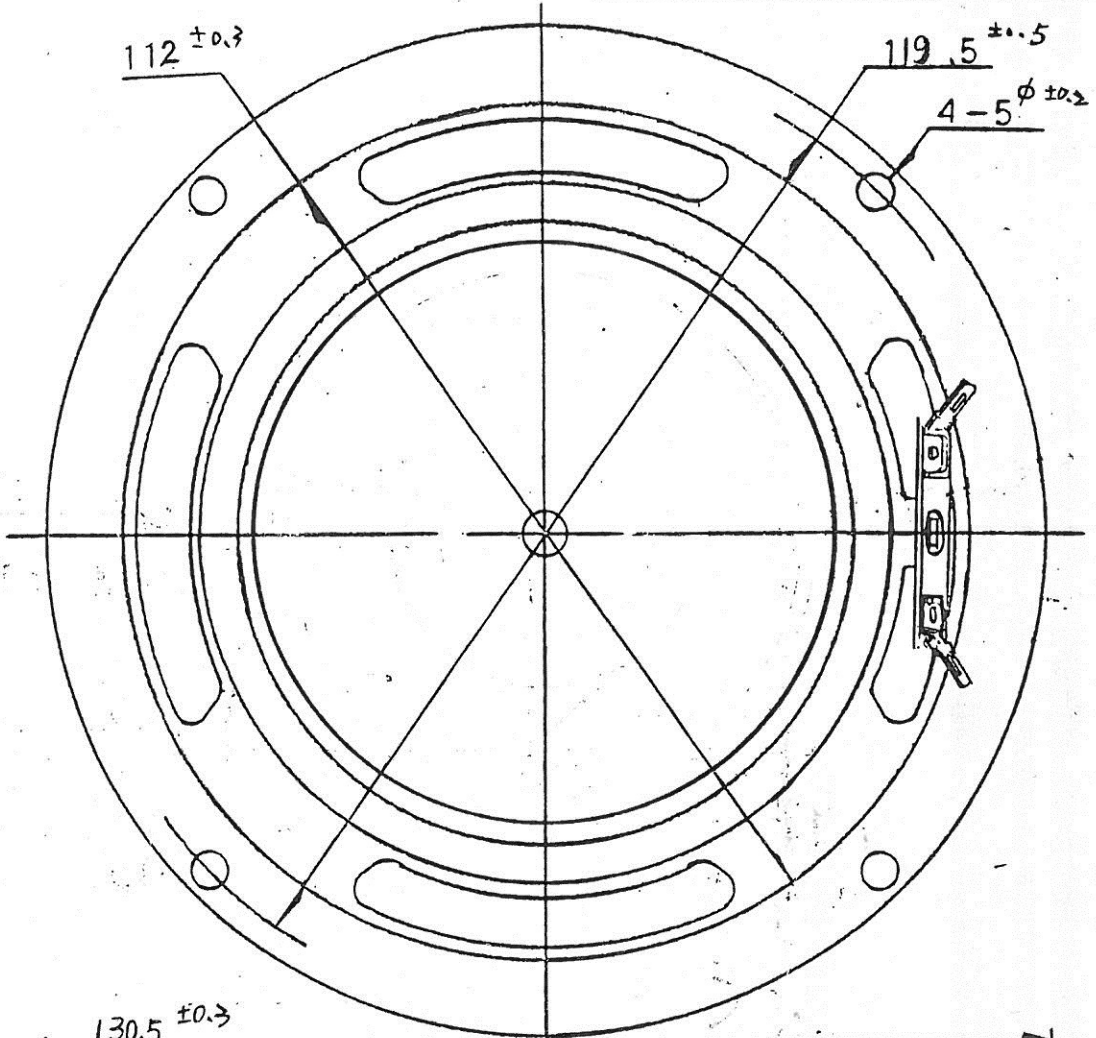
Diameter of magnet	100 (mm)
Height of magnet	15 (mm)
Weight of magnet	442 (g)
Height of the gap	4 (mm)
Total flux	(mWb)

THIELE/SMALL PARAMETRES:

Total Q factor	Qts: 0.401	Maximum impedance	Zo: 31.2 (Ω)
Electrical Q factor	Qes: 0.511	Suspension compliance	Cms: 0.00126 (m/N)
Mechanical Q factor	Qms: 1.87	BL product	BL: 5.56 (N/A)
Equivalent volume	Vas: 10.04 (L)	Driver piston diameter	D: 98 (mm)
Effective piston area	Sd: 0.0075 (m²)	Efficiency bandwidth product	EBP: 105.06 (Hz)
Dc resistance	Re: 6.7 (Ω)	Moving mass	Mms: 6.99 (g)
Linear displacement	Xmax: 2.0 (mm)	Resonance frequency	FS: 54 (Hz)

Frequency response and impedance curve.





APVD.	
CHK.	
DSGN.	
DRAW	

MATERIAL		SCALE	QUANTITY
FINISH		TOLERANCE	ANGLE
TITLE 5" SPEAKER			
DRAWING NO.		MCM Audio Select 5" Aluminum Cone Woofer Item # 55-1870	
1.	初版發行	97.8.8	林

X-ON Electronics

Largest Supplier of Electrical and Electronic Components

Click to view similar products for [mcm manufacturer](#):

Other Similar products are found below :

[NWTBATCAPMB13](#) [27-505](#) [27-4200](#) [27-840](#) [28-5958](#) [50-10820](#) [28-1510](#) [27-5918](#) [27-5977](#) [24-12352](#) [287-14020](#) [28-6023](#) [35SPS-3](#) [28-6008](#) [21-4605](#) [21-4575](#) [21-19084](#) [21-12825](#) [27-570](#) [28-1525](#) [83-17604](#) [27-5833](#) [27-6020](#) [24-12345](#) [28-6017](#) [28-6032](#) [21-18966](#) [30-1530](#) [28-970](#) [27-560](#) [26-120](#) [CA68B](#) [24-12344](#) [28-6005](#) [24-13075](#) [PCM-2100-50](#) [21-18956](#) [28-6080](#) [24-5360](#) [24-1040](#) [27-5917](#) [28-6031](#) [HD15MM35N-100F](#) [28-975](#) [27-4270](#) [85-11102](#) [27-5940](#) [27-5949](#) [27-6112](#) [HD15MM35N-6F](#)