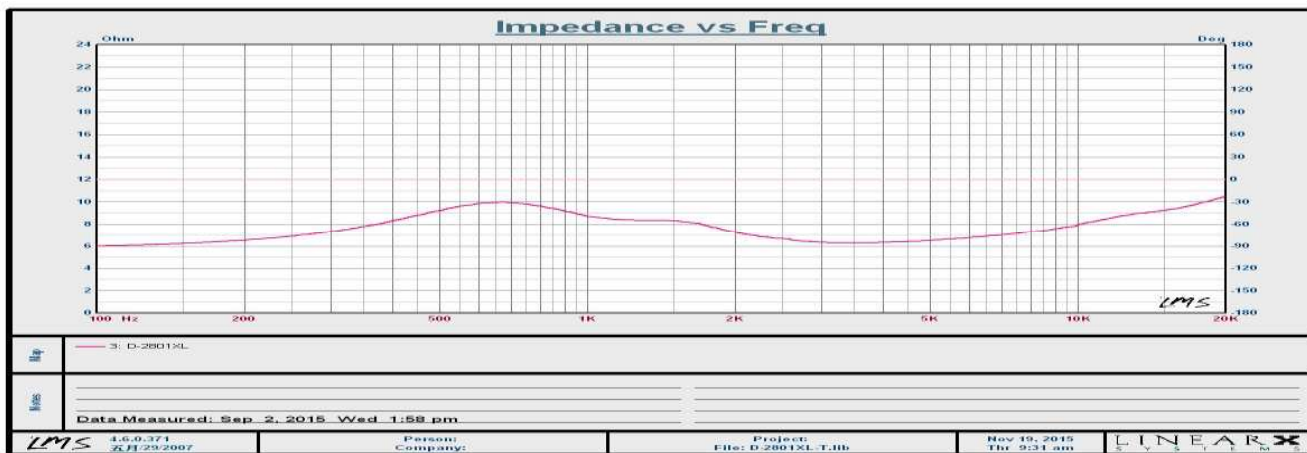
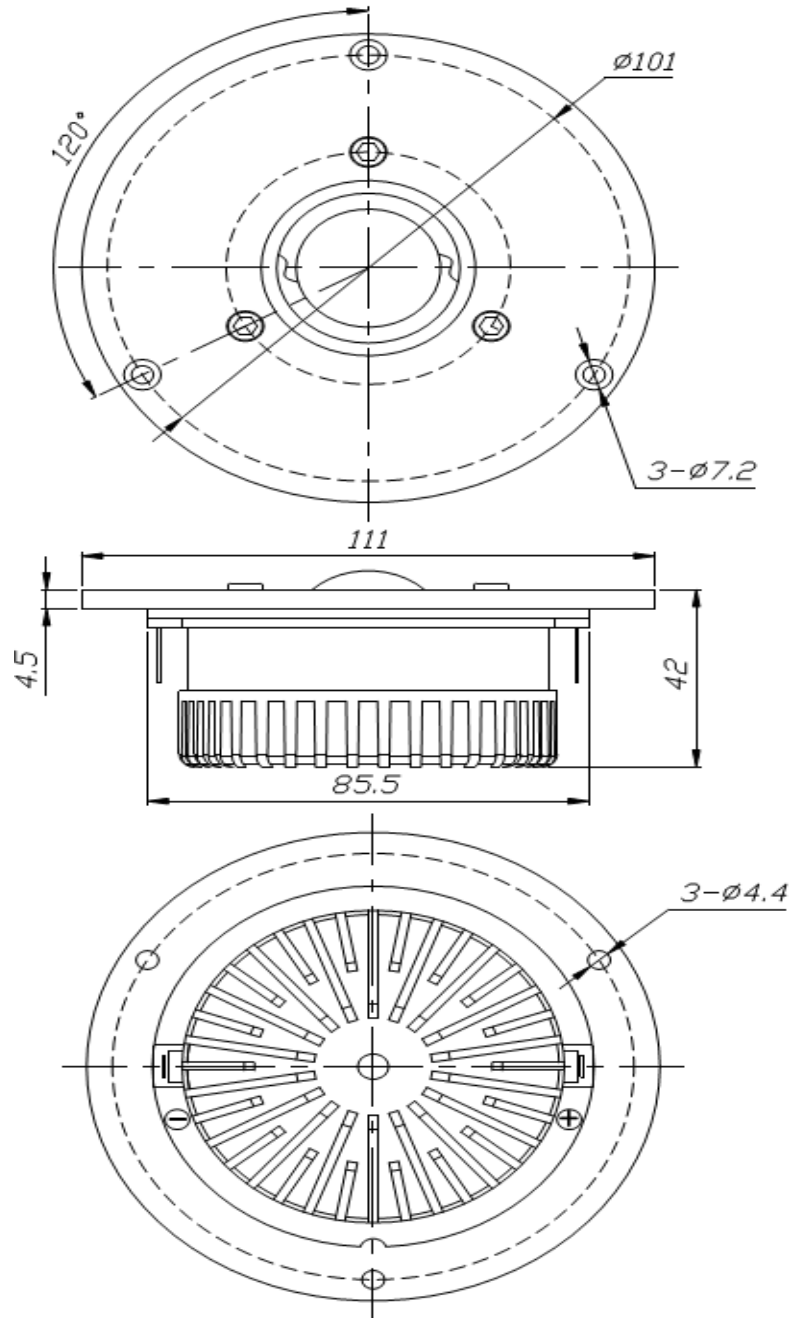


Model #: D-2801XL-M01

ITEMS:	SPECIFICATION:	VOICE COIL:
Diameter	1 1/8" Diaphragm	Diameter 28 (mm)
Impedance	6 ohms	Winding Length 2.4 (mm)
Input	RMS 50 W, MAX 100 W	Layer 2
Free air resonance	N/A	Former material Aluminum ASV
Sensitivity	90 dB ± 2 2.45 V	Wire material Copper clad Aluminum CCAW
Frequency range	2000 ~ 20000 Hz	CONE: Silk
Sine wave test	2.83 V	SURROUND: Silk
Weight	1.35 lbs.	MAGNET: (1) (2)
Face plate: (aluminum)		Diameter 70 (mm)
		Height 15 (mm)
		Material Ferrite Y35
		Quantity 1 Pcs
		Weight 228 (grams)
		Gap(H) 3 (mm)

PARAMETERS:	
DC resistance	Re: 5.2 (Ω) Moving mass Mms: (grams)
Resonance frequency	Fs: 900 (Hz) Equivalent volume Vas: (l)
Maximum impedance	Zm: (Ω) Sensitivity SPL: (dB)
Mechanical Q factor	Qms: Suspension compliance Cms: (mm/N)
Electrical Q factor	Qes: BL product Bl: (N/A)
Total Q factor	Qts: Driver piston diameter D: (mm)
Linear Displacement	Xmax: (mm) Voice Coil Inductance Le(1K): (mH)





X-ON Electronics

Largest Supplier of Electrical and Electronic Components

Click to view similar products for [dynavox](#) manufacturer:

Other Similar products are found below :

[55-5515](#) [55-5500](#) [55-5505](#) [55-5510](#) [55-5520](#) [55-5535](#) [53-5115](#)