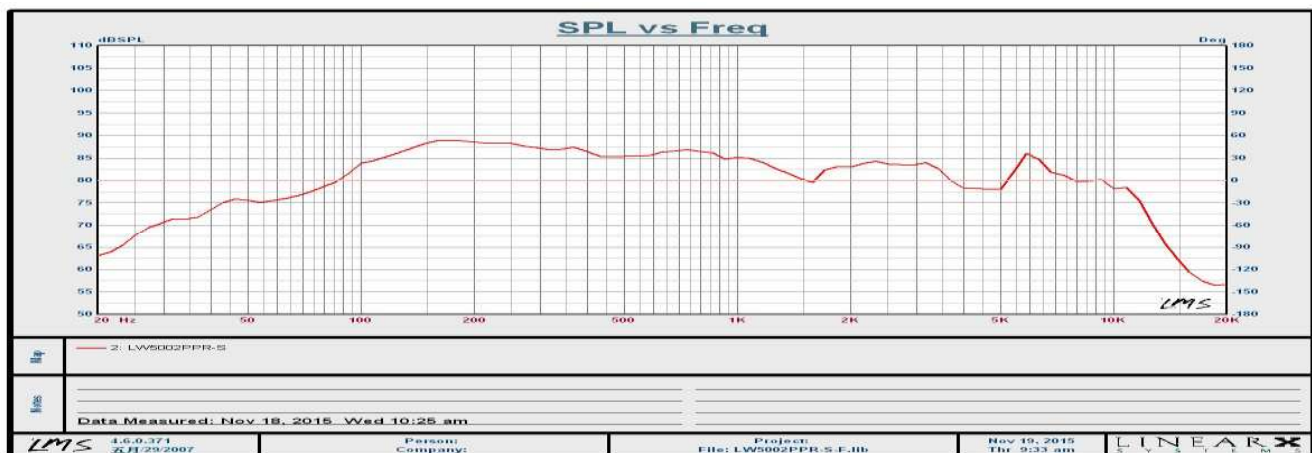
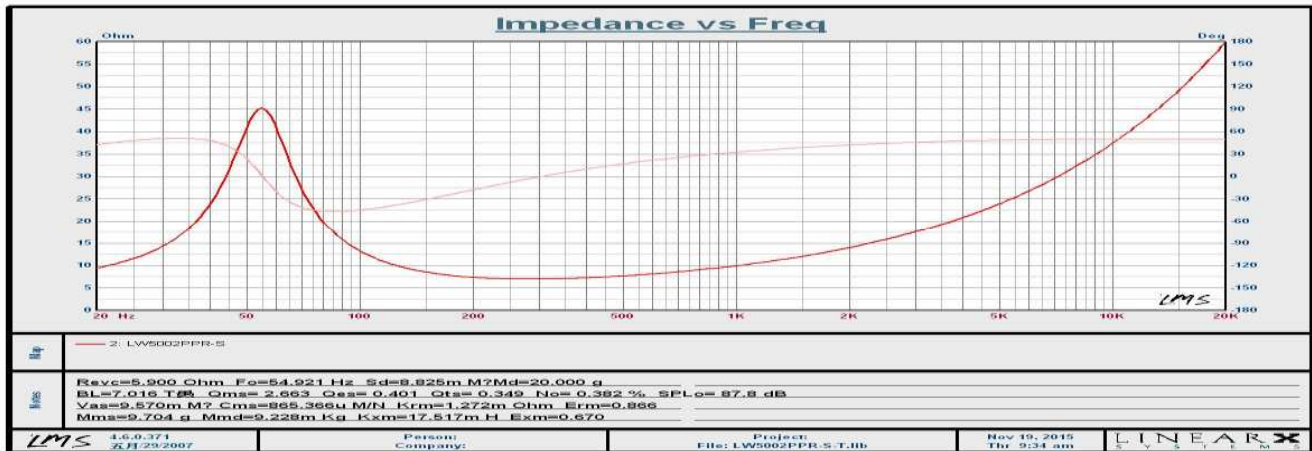
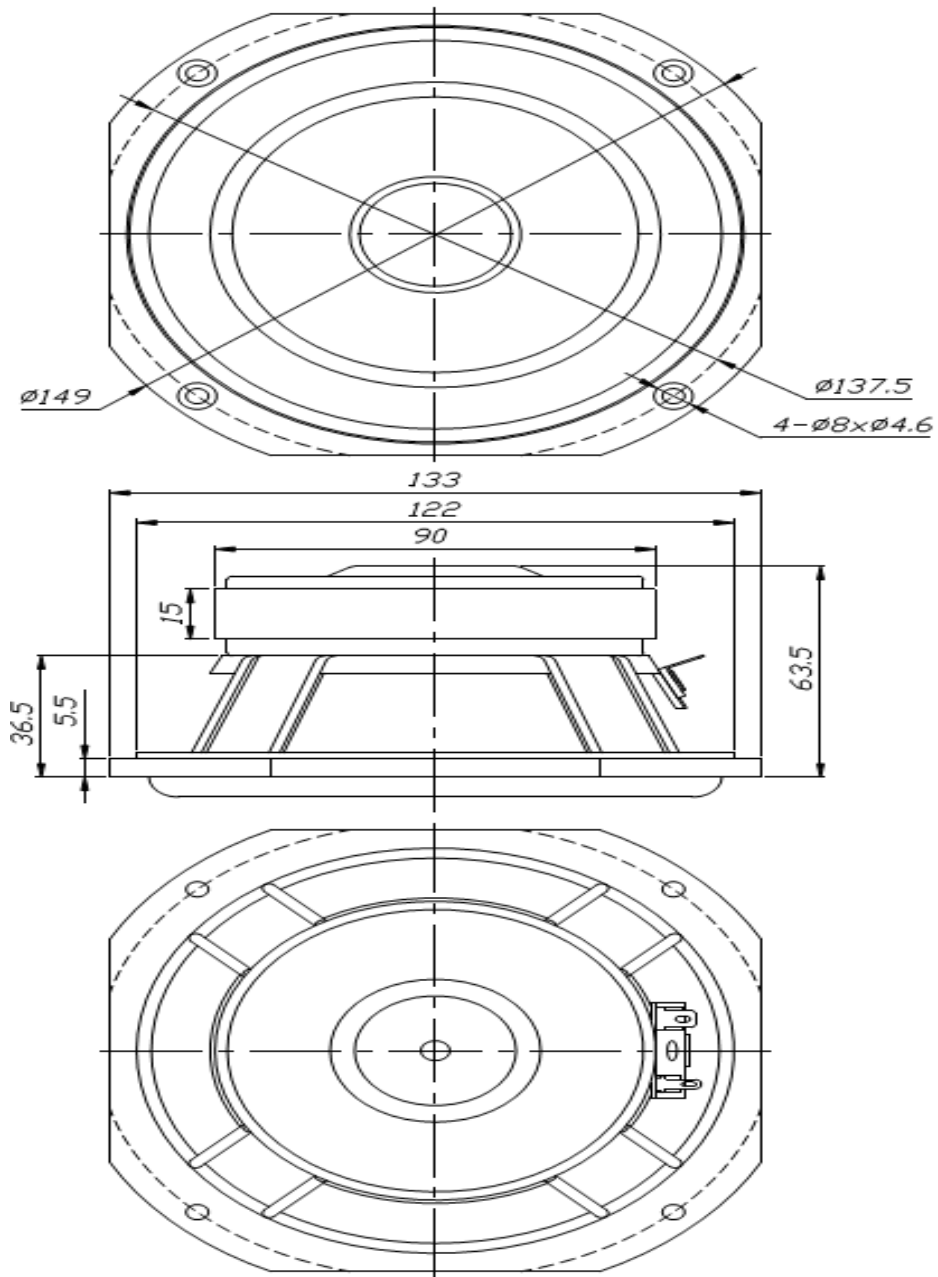


Model #: LW5002PPR-S-M01

ITEMS:	SPECIFICATION:	VOICE COIL:
Diameter	5.25"	Diameter 25.4 (mm)
Impedance	8 ohms	Winding Length 9.2 (mm)
Input	RMS 60 W, MAX 100 W	Layer 4
Free air resonance	50 Hz	Former material Aluminum ASV
Sensitivity	88 dB ± 2 2.83 V	Wire material Copper SVW
Frequency range	50 ~ 12000 Hz	<b>CONE:</b> PP Carbon
Sine wave test	8 V	<b>SURROUND:</b> Rubber
Weight	2.09 lbs.	<b>MAGNET:</b> (1) (2)
		Diameter 90 (mm)
		Height 15 (mm)
		Material Ferrite Y30
		Quantity 1 pcs
		Weight 330 (grams)
		Gap(H) 5 (mm)
Basket: die cast (aluminum)		

PARAMETERS:					
DC resistance	Re:	5.9 (Ω)	Moving mass	Mms:	9.7 (grams)
Resonance frequency	Fs:	54.9 (Hz)	Equivalent volume	Vas:	9.57 (l)
Maximum impedance	Zm:	45.2 (Ω)	Sensitivity	SPL:	87.8 (dB)
Mechanical Q factor	Qms:	2.66	Suspension compliance	Cms:	0.86 (mm/N)
Electrical Q factor	Qes:	0.40	BL product	Bl:	7.01 (N/A)
Total Q factor	Qts:	0.35	Driver piston diameter	D:	105 (mm)
Linear Displacement	Xmax:	2.1 (mm)	Voice Coil Inductance	Le(1K):	1.27 (mH)





## **X-ON Electronics**

Largest Supplier of Electrical and Electronic Components

*Click to view similar products for [dynavox](#) manufacturer:*

Other Similar products are found below :

[55-5515](#) [55-5500](#) [55-5505](#) [55-5510](#) [55-5520](#) [55-5535](#) [53-5115](#)