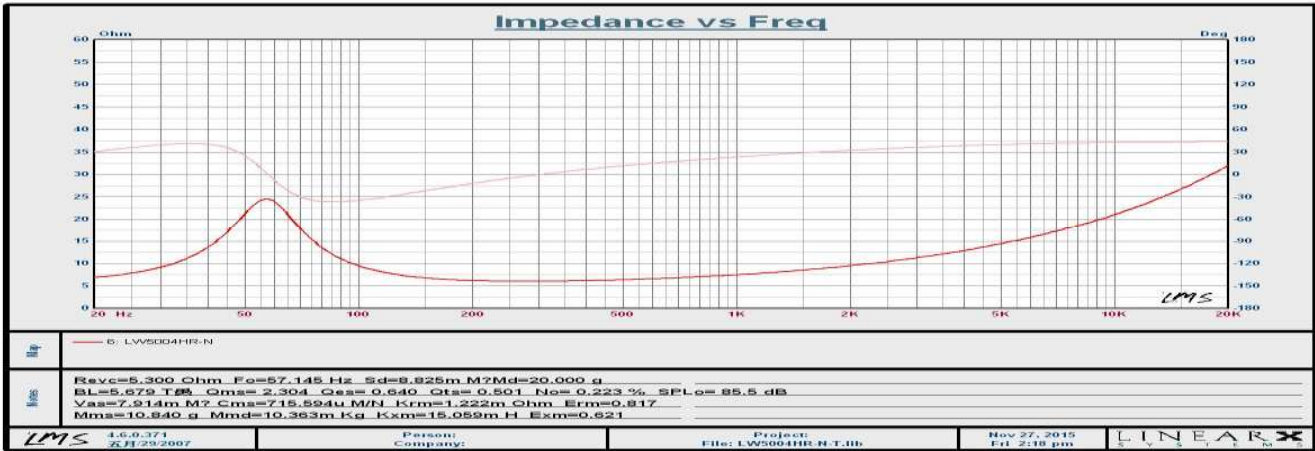
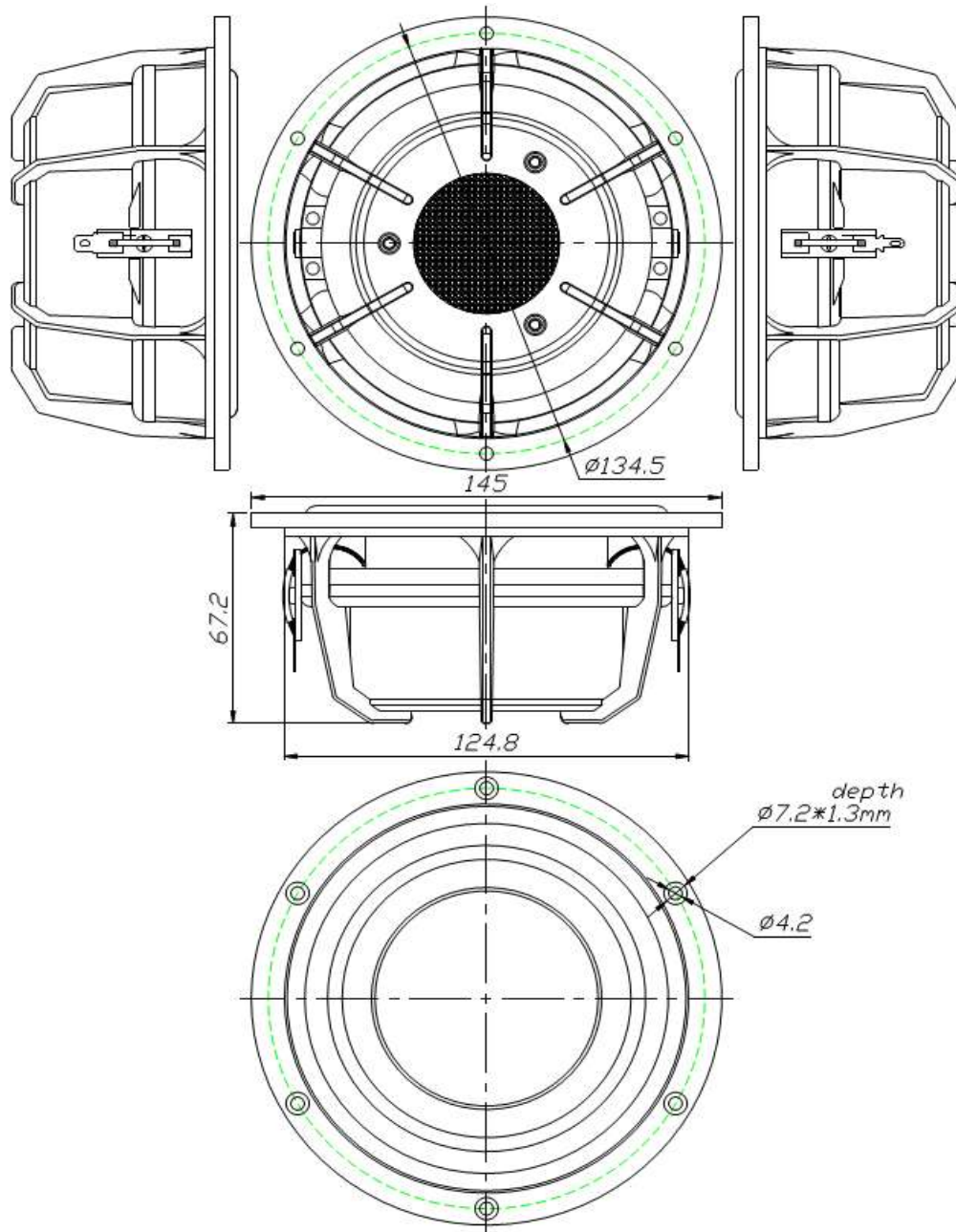


Model #: LW5004HR-NM01

ITEMS:	SPECIFICATION:	VOICE COIL:
Diameter	5"	Diameter 75.5 (mm)
Impedance	6 ohms	Winding Length 10.9 (mm)
Input	RMS 60 W, MAX 100 W	Layer 2
Free air resonance	55 Hz	Former material Aluminum ASV
Sensitivity	86 dB ± 2 2.45 V	Wire material Copper clad Aluminum CCAW
Frequency range	55 ~ 3500 Hz	<b>CONE:</b> Glass fiber (honeycomb layer of sandwiches structure cone)
Sine wave test	8 V	<b>SURROUND:</b> Rubber
Weight	2.34 lbs.	<b>MAGNET:</b> (1) (2)
Basket: die cast (aluminum)		Diameter 70 (mm)
		Height 10 (mm)
		Material Ferrite Ferrite Y35
		Quantity 2 1 Pcs
		Weight 304 152 (grams)
		Gap(H) 6 (mm)

PARAMETERS:					
DC resistance	Re:	5.3 (Ω)	Moving mass	Mms:	10.84 (grams)
Resonance frequency	Fs:	57.15 (Hz)	Equivalent volume	Vas:	7.91 (l)
Maximum impedance	Zm:	24.5 (Ω)	Sensitivity	SPL:	85.5 (dB)
Mechanical Q factor	Qms:	2.30	Suspension compliance	Cms:	0.72 (mm/N)
Electrical Q factor	Qes:	0.64	BL product	Bl:	5.68 (N/A)
Total Q factor	Qts:	0.50	Driver piston diameter	D:	106 (mm)
Linear Displacement	Xmax:	2.45 (mm)	Voice Coil Inductance	Le(1K):	0.73 (mH)





## **X-ON Electronics**

Largest Supplier of Electrical and Electronic Components

*Click to view similar products for [dynavox](#) manufacturer:*

Other Similar products are found below :

[55-5515](#) [55-5500](#) [55-5505](#) [55-5510](#) [55-5520](#) [55-5535](#) [53-5115](#)