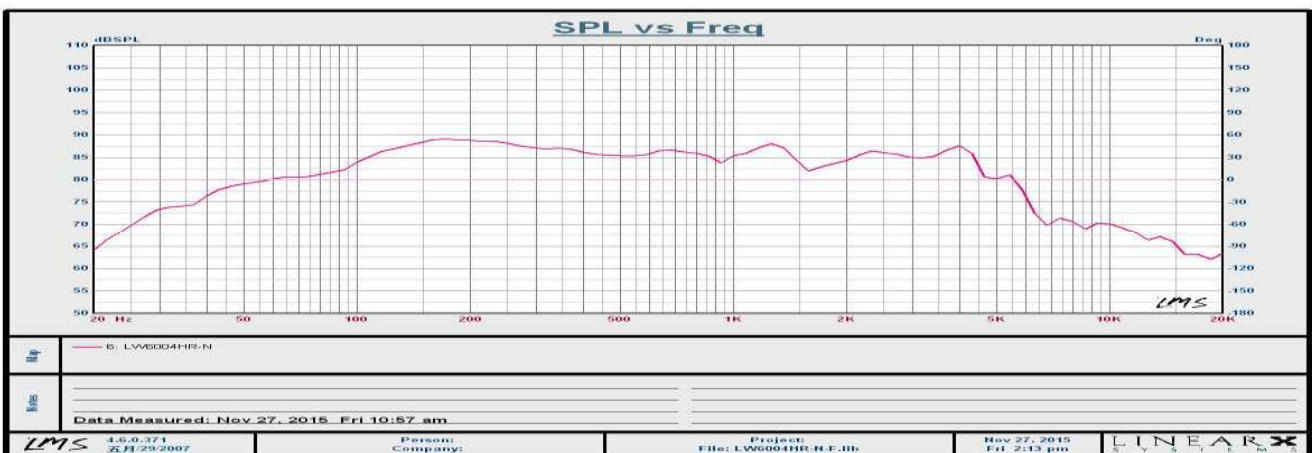
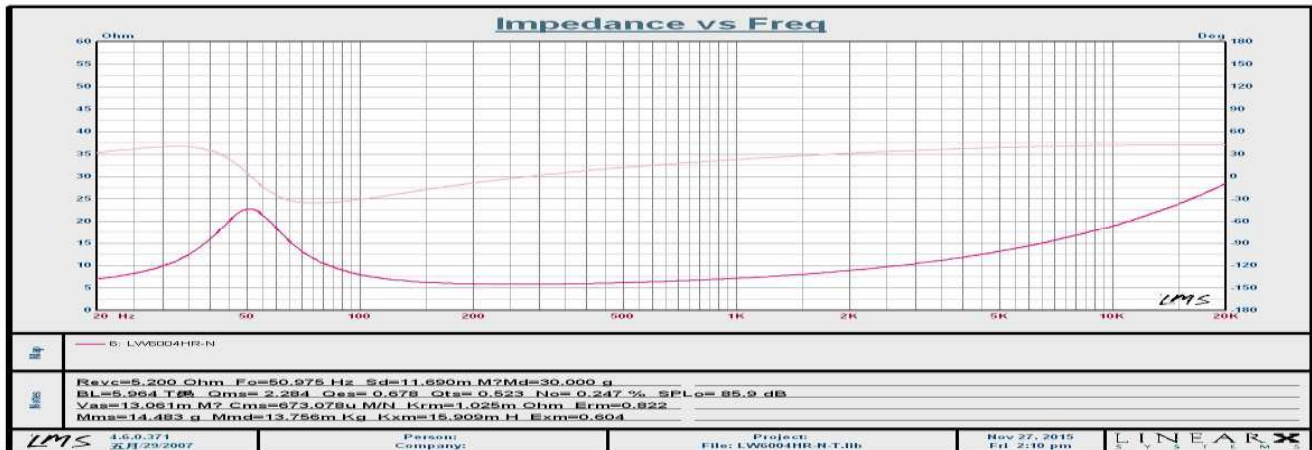


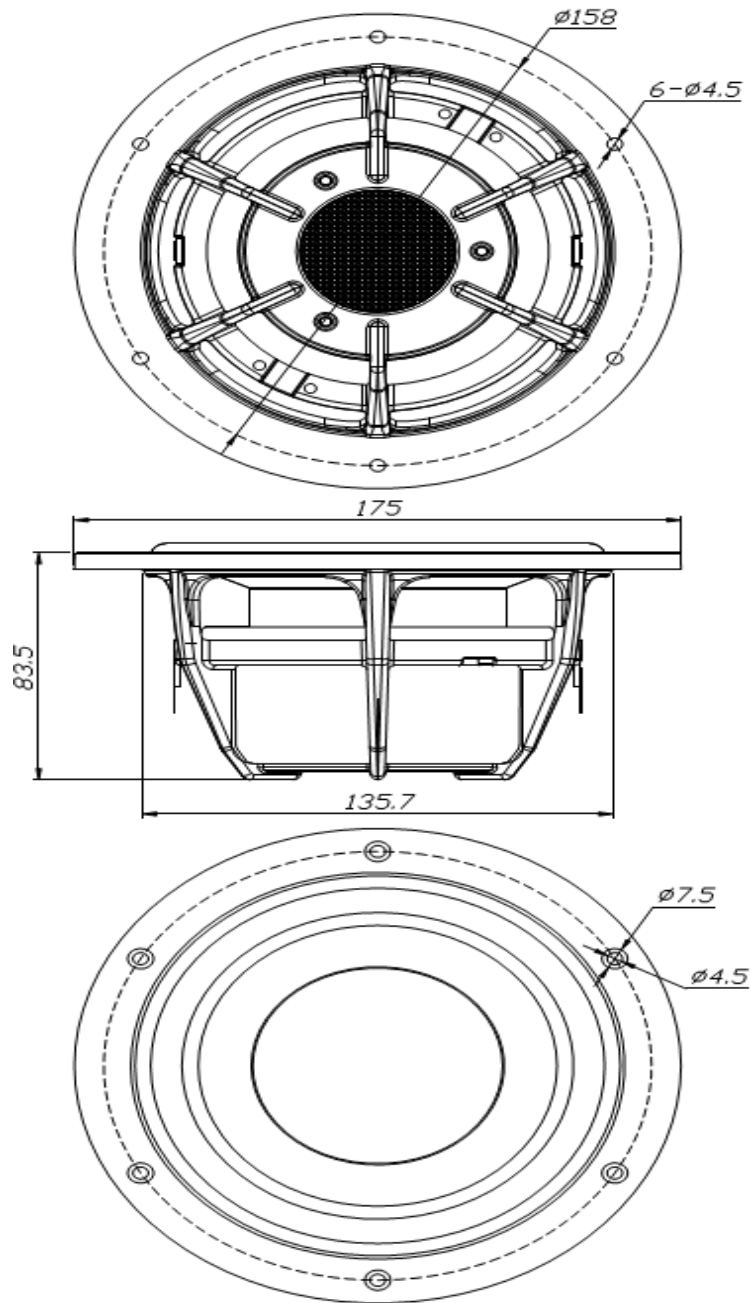
Model #: LW6004HR-NM01

ITEMS:		SPECIFICATION:		VOICE COIL:	
Diameter	6"	Diameter	75.5	(mm)	
Impedance	6 ohms	Winding Length	10.9	(mm)	
Input	RMS 60 W, MAX 100 W	Layer	2	Former material	Aluminum ASV
Free air resonance	50 Hz	Wire material	Copper clad Aluminum	CCAW	
Sensitivity	86 dB ± 2    2.45 V	<b>CONE:</b> Glass fiber (honeycomb layer of sandwiches structure cone)			
Frequency range	50 ~ 4000 Hz	<b>SURROUND:</b> Rubber			
Sine wave test	10 V	<b>MAGNET:</b> (1)                      (2)			
Weight	2.91 lbs.	Diameter	70	70	(mm)
		Height	25	10	(mm)
		Material	Ferrite	Ferrite	Y35
		Quantity	1	1	Pcs
Basket: die cast (aluminum)		Weight	380	152	(grams)
		Gap(H)	6		(mm)

**PARAMETERS:**

DC resistance	Re:	5.2	(Ω)	Moving mass	Mms:	14.48	(grams)
Resonance frequency	Fs:	50.98	(Hz)	Equivalent volume	Vas:	13.06	(l)
Maximum impedance	Zm:	22.8	(Ω)	Sensitivity	SPL:	85.9	(dB)
Mechanical Q factor	Qms:	2.28		Suspension compliance	Cms:	0.67	(mm/N)
Electrical Q factor	Qes:	0.68		BL product	Bl:	5.98	(N/A)
Total Q factor	Qts:	0.52		Driver piston diameter	D:	122	(mm)
Linear Displacement	Xmax:	2.45	(mm)	Voice Coil Inductance	Le(1K):	0.74	(mH)





## **X-ON Electronics**

Largest Supplier of Electrical and Electronic Components

*Click to view similar products for [dynavox](#) manufacturer:*

Other Similar products are found below :

[55-5515](#) [55-5500](#) [55-5505](#) [55-5510](#) [55-5520](#) [55-5535](#) [53-5115](#)