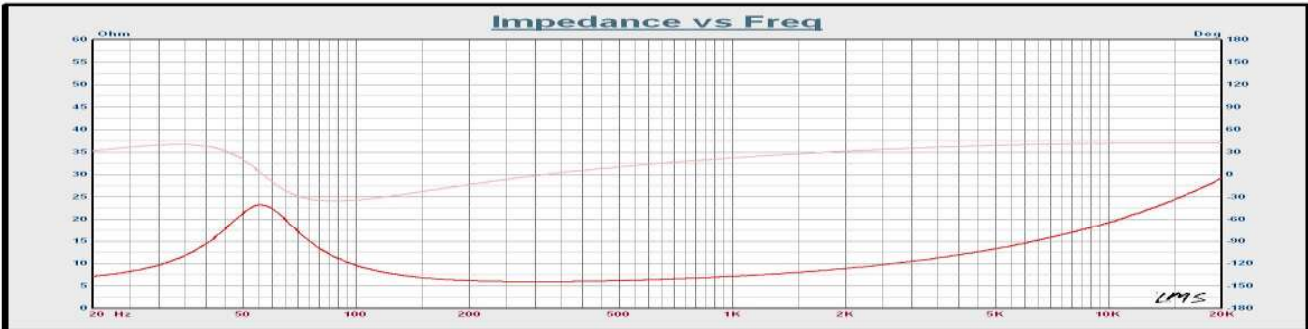


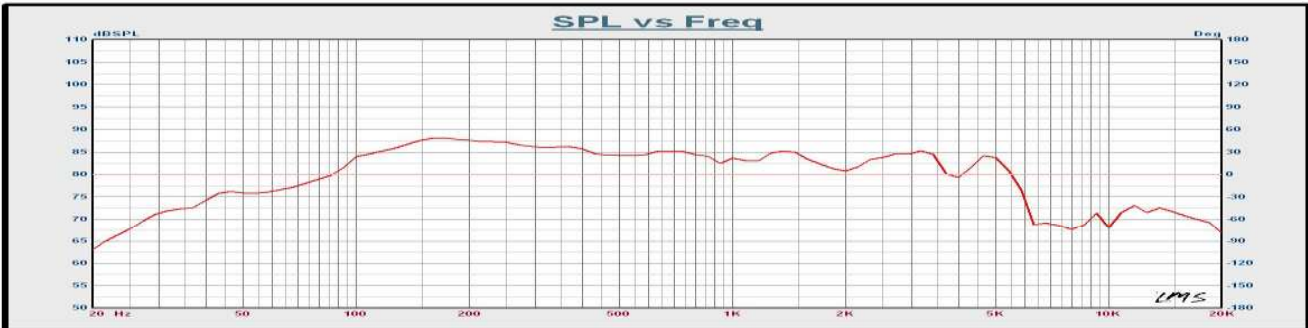
Model #: LW5004PMR-NM01

ITEMS:	SPECIFICATION:	VOICE COIL:	
Diameter	5"	Diameter	75.5 (mm)
Impedance	6 ohms	Winding Length	10.9 (mm)
Input	RMS 60 W, MAX 100 W	Layer	2
Free air resonance	55 Hz	Former material	Aluminum ASV
Sensitivity	86 dB ± 2 2.45 V	Wire material	Copper clad Aluminum CCAW
Frequency range	55 ~ 5000 Hz	CONE: PPM	
Sine wave test	8 V	SURROUND: Rubber	
Weight	2.51 lbs.	MAGNET: (1) (2)	
Basket: die cast (aluminum)		Diameter	70 (mm)
		Height	15 (mm)
		Material	Ferrite Y35
		Quantity	1 Pcs
		Weight	304 (grams)
		Gap(H)	228 (mm)
			6 (mm)

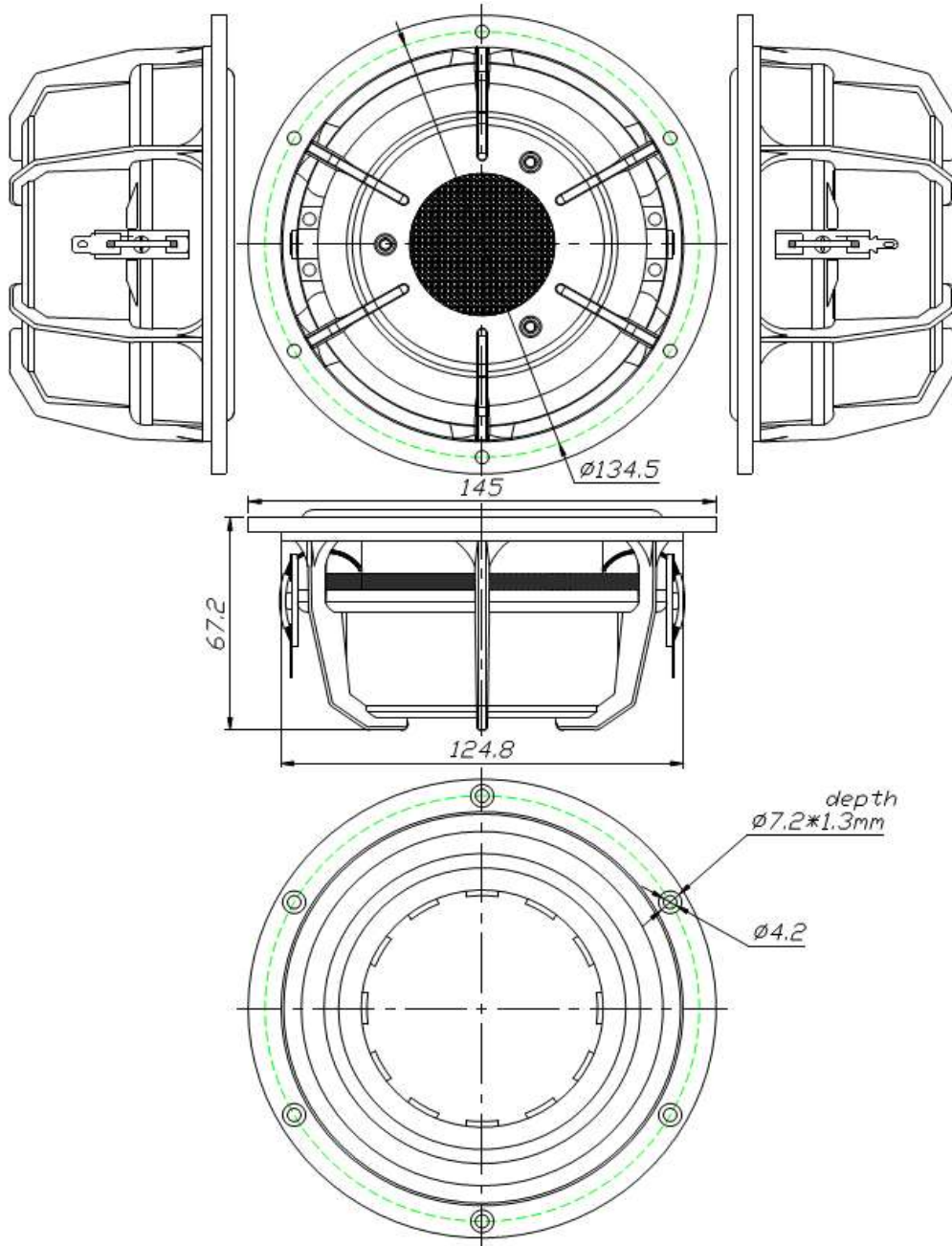
PARAMETERS:					
DC resistance	Re:	5.3	(Ω)	Moving mass	Mms: 11.0 (grams)
Resonance frequency	Fs:	56.03	(Hz)	Equivalent volume	Vas: 8.06 (l)
Maximum impedance	Zm:	23.2	(Ω)	Sensitivity	SPL: 85.6 (dB)
Mechanical Q factor	Qms:	2.04		Suspension compliance	Cms: 0.73 (mm/N)
Electrical Q factor	Qes:	0.60		BL product	Bl: 5.83 (N/A)
Total Q factor	Qts:	0.47		Driver piston diameter	D: 106 (mm)
Linear Displacement	Xmax:	2.45	(mm)	Voice Coil Inductance	Le(1K): 0.7 (mH)



Imp	— 2: LW5004PMR-N	
Spec	Rvc=5.300 Ohm Fc=56.039 Hz Sd=8.825m MZMd=30.000 g BL=5.832 Tm Qms=2.046 Qes=0.607 Qts=0.468 Ne=0.226 % SPLo=85.6 dB Vas=8.064m MZ Cms=729.153u M/N Kms=726.349u Ohm Erm=0.854 Mms=11.082 g Mmd=10.888m Kg Kxm=16.379m H Exm=0.609	
LMS	1.6.0.371 五月29/2007	Person: Company:
		Project: File: LW5004PMR-N.T3B
		Nov 19, 2015 Thu 10:16 am
		LINEAR



Imp	— 2: LW5004PMR-N	
Spec	Data Measured: Nov 18, 2015 Wed 10:30 am	
LMS	1.6.0.371 五月29/2007	Person: Company:
		Project: File: LW5004PMR-N.T3B
		Nov 19, 2015 Thu 9:37 am
		LINEAR



X-ON Electronics

Largest Supplier of Electrical and Electronic Components

Click to view similar products for [dynavox](#) manufacturer:

Other Similar products are found below :

[55-5515](#) [55-5500](#) [55-5505](#) [55-5510](#) [55-5520](#) [55-5535](#) [53-5115](#)