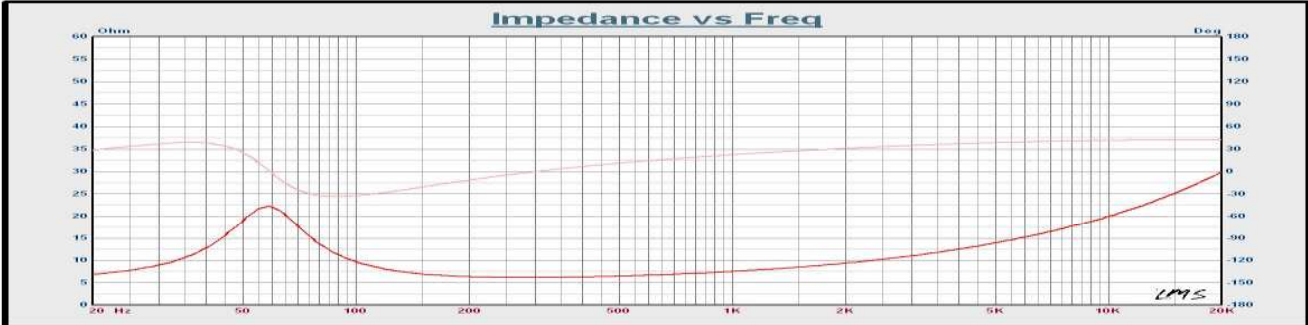


Model #: LW6004PMR-NM01

ITEMS:	SPECIFICATION:	VOICE COIL:	
Diameter	6.5"	Diameter	75.5 (mm)
Impedance	6 ohms	Winding Length	10.9 (mm)
Input	RMS 60 W, MAX 100 W	Layer	2
Free air resonance	55 Hz	Former material	Aluminum ASV
Sensitivity	87 dB ± 2 2.45 V	Wire material	Copper clad Aluminum CCAW
Frequency range	55 ~ 5000 Hz	<b>CONE:</b> PPM	
Sine wave test	10 V	<b>SURROUND:</b> Rubber	
Weight	3.09 lbs.	<b>MAGNET:</b> (1) (2)	
Basket: die cast (aluminum)		Diameter	70 (mm)
		Height	15 (mm)
		Material	Ferrite Y35
		Quantity	1 Pcs
		Weight	380 (grams)
		Gap(H)	6 (mm)

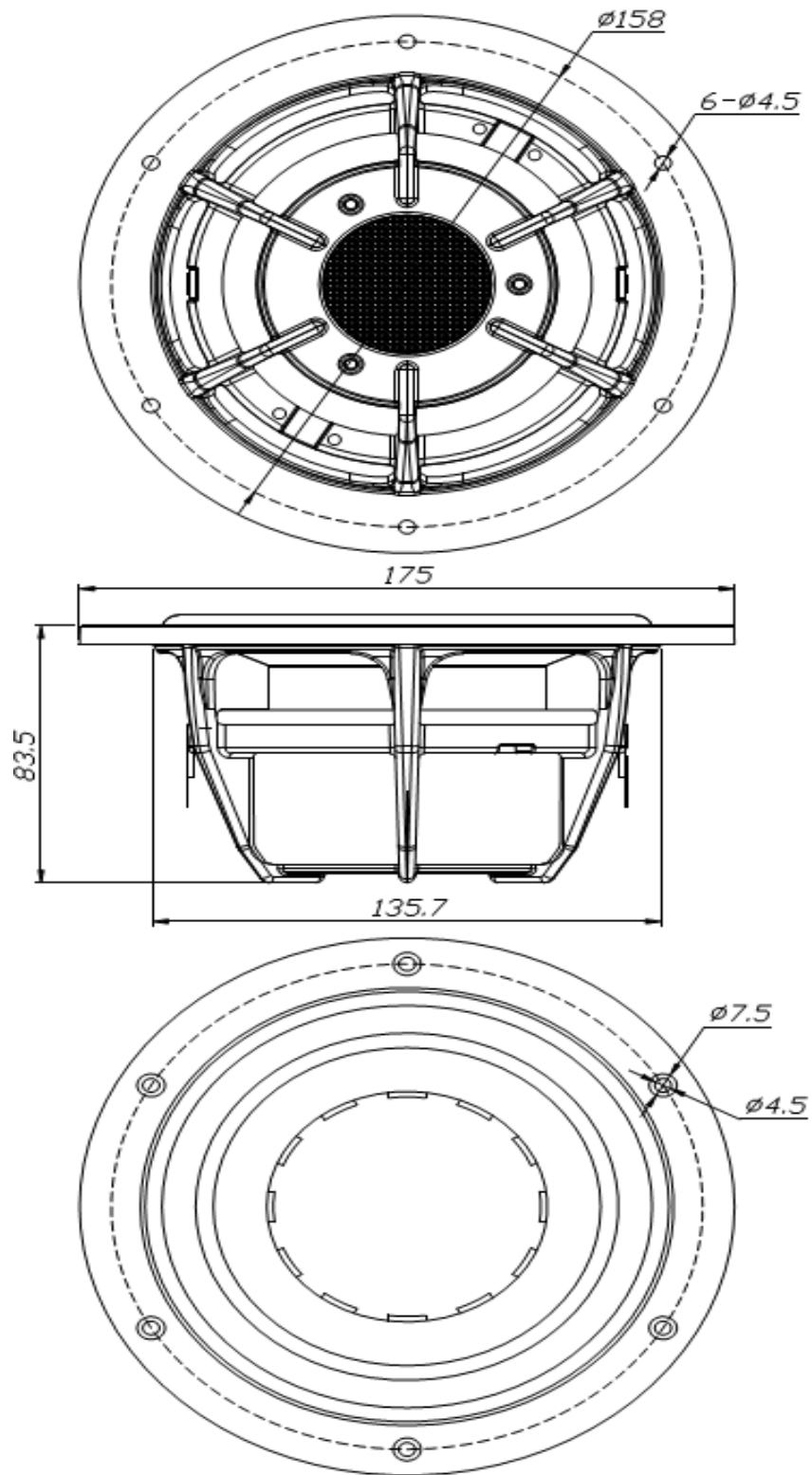
PARAMETERS:					
DC resistance	Re:	5.4 (Ω)	Moving mass	Mms:	13.03 (grams)
Resonance frequency	Fs:	58.5 (Hz)	Equivalent volume	Vas:	11.01 (l)
Maximum impedance	Zm:	22.1 (Ω)	Sensitivity	SPL:	87.0 (dB)
Mechanical Q factor	Qms:	2.01	Suspension compliance	Cms:	0.56 (mm/N)
Electrical Q factor	Qes:	0.68	BL product	Bl:	6.18 (N/A)
Total Q factor	Qts:	0.51	Driver piston diameter	D:	122 (mm)
Linear Displacement	Xmax:	2.45 (mm)	Voice Coil Inductance	Le(1K):	0.78 (mH)



Imp	2: LW6004PMR-N		
Units	Rvc=5.400 Ohm Fc=58.507 Hz Sd=11.690m M2Md=30.000 g Bl=0.179 Tm Qms=2.085 Qes=0.678 Qts=0.511 N=0.315 % SPL=87.0 dB Vas=11.016m M7 Cms=567.696u M/N Krm=1.363m Ohm Erm=0.802 Mms=13.035 g Mmd=12.309m Kg Kxm=17.143m H Exm=0.602		
LMS	4.6.0.371 2/12/2007	Person: Company:	Project: File: LW6004PMR-N.F3B



Imp	2: LW6004PMR-N		
Units	Data Measured: Nov 18, 2015 Wed 10:35 am		
LMS	4.6.0.371 2/12/2007	Person: Company:	Project: File: LW6004PMR-N.F3B



## **X-ON Electronics**

Largest Supplier of Electrical and Electronic Components

*Click to view similar products for [dynavox](#) manufacturer:*

Other Similar products are found below :

[55-5515](#) [55-5500](#) [55-5505](#) [55-5510](#) [55-5520](#) [55-5535](#) [53-5115](#)