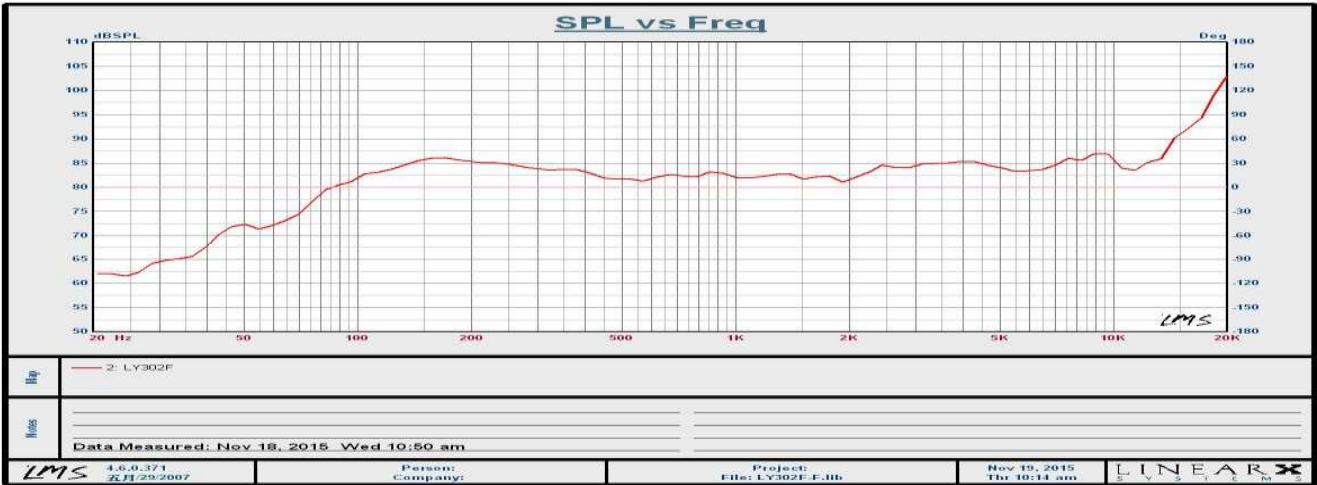
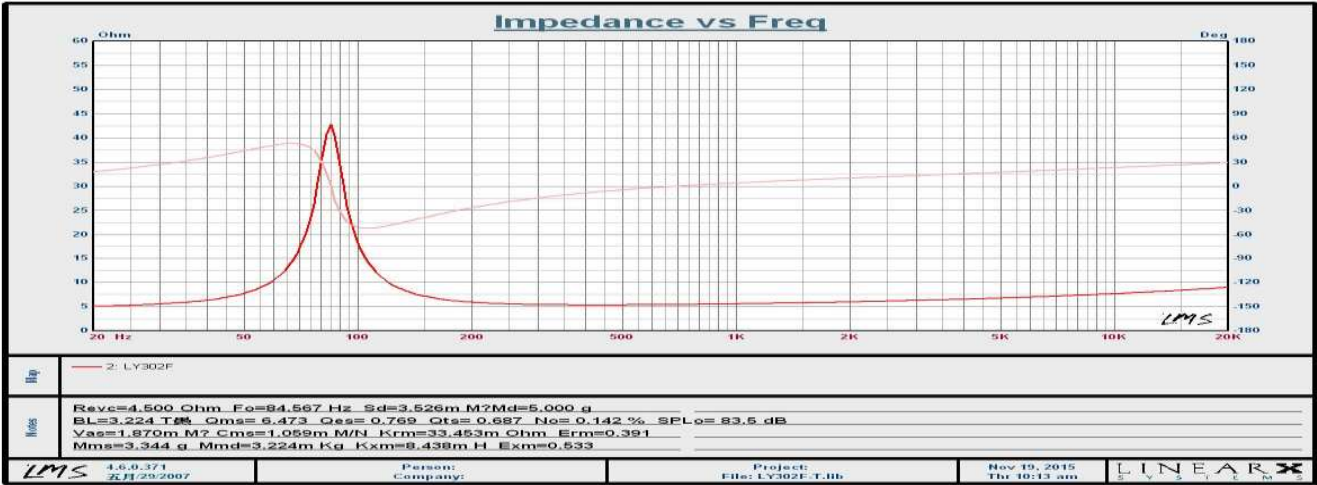
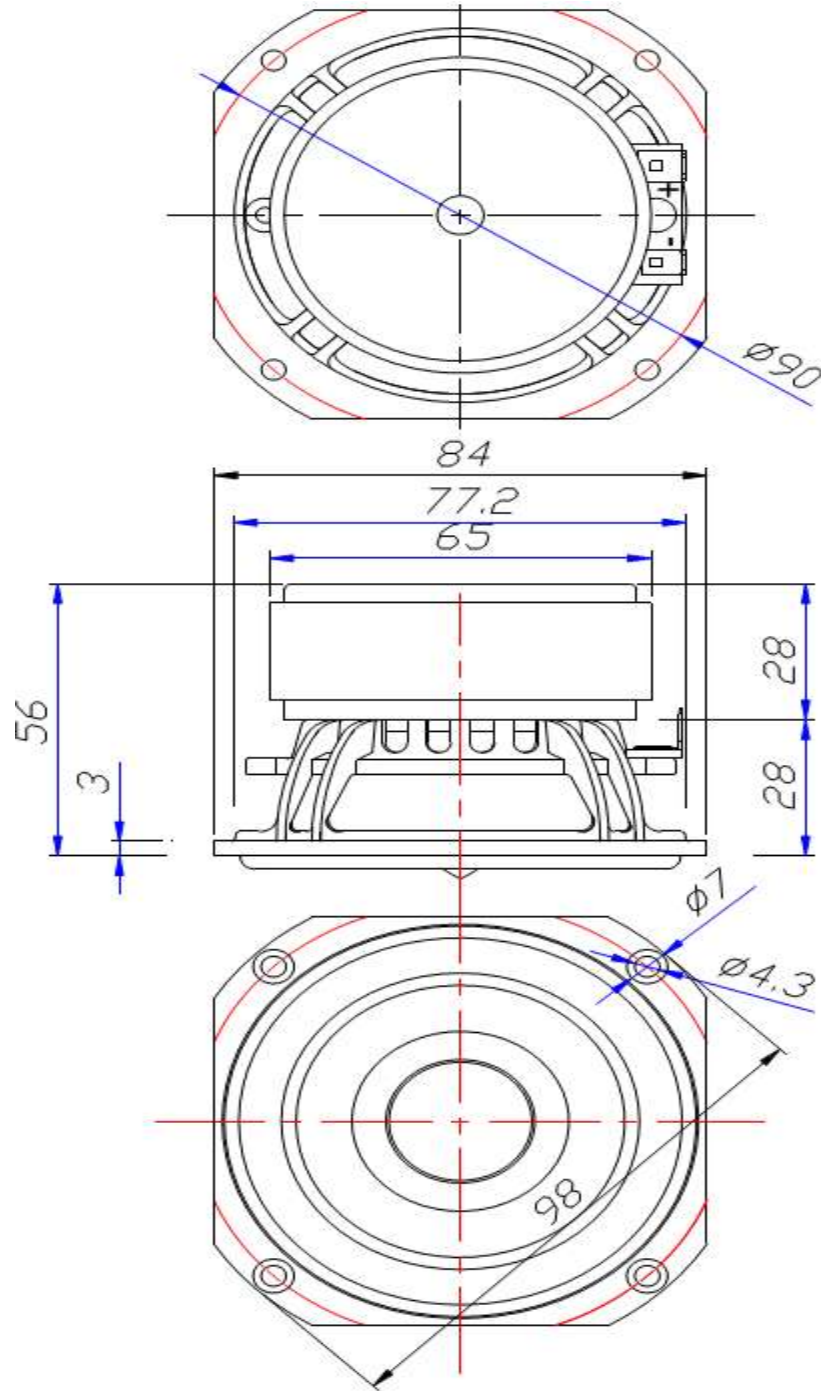


Model #: LY302F-M01

ITEMS:	SPECIFICATION:	VOICE COIL:
Diameter	3.5"	Diameter 25.4 (mm)
Impedance	6 ohms	Winding Length 7.1 (mm)
Input	RMS 20 W, MAX 40 W	Layer 2
Free air resonance	80 Hz	Former material Kraft KSV
Sensitivity	84 dB ± 2 2.45 V	Wire material Copper SVW
Frequency range	80 ~ 20000 Hz	CONE: Treated paper
Sine wave test	5.5 V	SURROUND: Treated cloth
Weight	1.19 lbs.	MAGNET: (1) (2)
		Diameter 65 (mm)
		Height 10 (mm)
		Material Ferrite Y30
		Quantity 2 pcs
		Weight 252 (grams)
		Gap(H) 4 (mm)
Basket: die cast (aluminum) W/Copper cap on pole piece		

PARAMETERS:					
DC resistance	Re:	4.5	(Ω)	Moving mass	Mms: 3.34 (grams)
Resonance frequency	Fs:	84.5	(Hz)	Equivalent volume	Vas: 1.87 (l)
Maximum impedance	Zm:	42.5	(Ω)	Sensitivity	SPL: 83.5 (dB)
Mechanical Q factor	Qms:	6.47		Suspension compliance	Cms: 1.06 (mm/N)
Electrical Q factor	Qes:	0.76		BL product	Bl: 3.22 (N/A)
Total Q factor	Qts:	0.68		Driver piston diameter	D: 67 (mm)
Linear Displacement	Xmax:	1.55	(mm)	Voice Coil Inductance	Le(1K): 0.43 (mH)





X-ON Electronics

Largest Supplier of Electrical and Electronic Components

Click to view similar products for [dynavox](#) manufacturer:

Other Similar products are found below :

[55-5515](#) [55-5500](#) [55-5505](#) [55-5510](#) [55-5520](#) [55-5535](#) [53-5115](#)