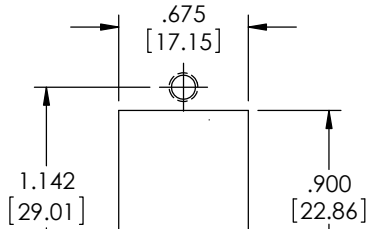


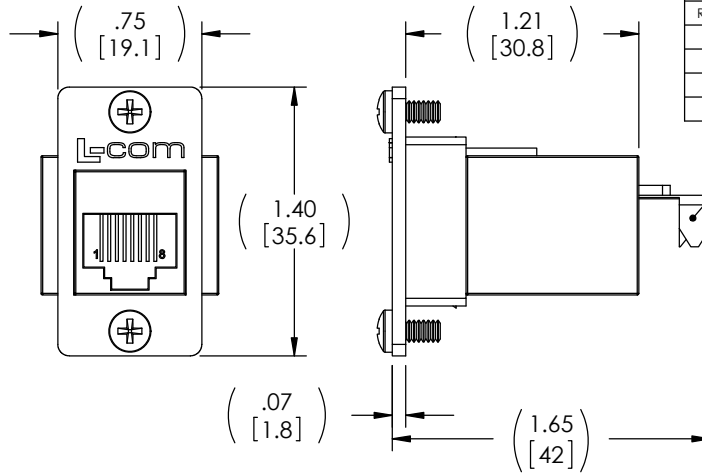
THE INFORMATION CONTAINED IN THIS DRAWING IS THE SOLE PROPERTY OF L-COM, INC. ANY REPRODUCTION IN PART OR WHOLE WITHOUT THE WRITTEN PERMISSION OF L-COM, INC. IS PROHIBITED.

| REVISIONS |   |         |              |
|-----------|---|---------|--------------|
| REV       | DESCRIPTION                                   | DATE    | APPROVED     |
| A         | INITIAL RELEASE                               | 6/3/04  | D. PARHAM    |
| B         | ECN 2427: ADDED KIT CONTENTS                  | 5/30/06 | D. PARHAM    |
| C         | ECN 6881: UPD DWG FORMAT, PACKAGING, AND LOGO | 6/18/13 | D. DESJARDIN |

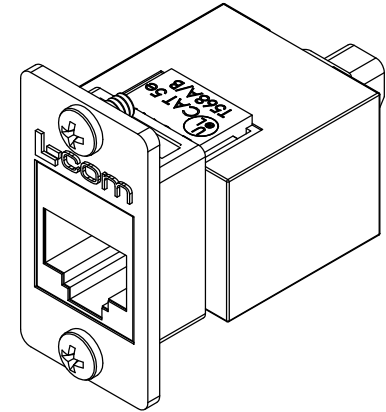


2X #4-40 UNC-2B THRU

**RECOMMENDED  
PANEL OPENING**

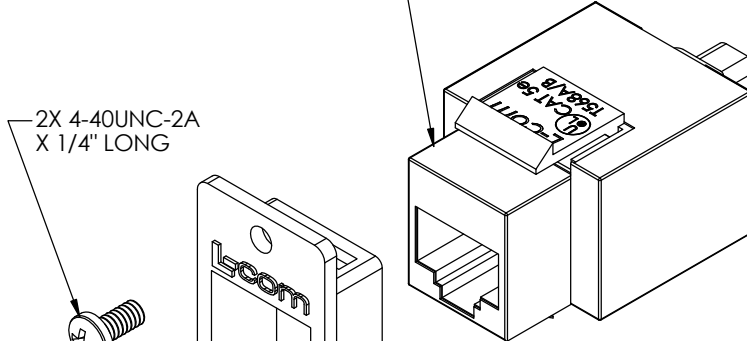


CABLE STRAIN RELIEF



CAT 5E SHIELDED RJ45 KEYSTONE JACK  
(L-COM P/N: MJS110C5E-S)

2X 4-40UNC-2A  
X 1/4" LONG



FLANGE MOUNTED KEYSTONE ADAPTOR

**KIT SHOWN FULLY ASSEMBLED FOR CLARITY  
(KIT IS SHIPPED UN-ASSEMBLED)**

- KIT INCLUDES:  
 1- KEYSTONE JACK  
 1- FLANGE ADAPTOR  
 1- PACKAGE MOUNTING SCREWS (4-40x 1/4")



**NOTES:**

**MATERIAL:**  
 FLANGED ADAPTOR: ZINC ALLOY  
 HARDWARE: STAINLESS STEEL.

**FINISH:**  
 FLANGED ADAPTOR: NICKEL PLATE.

**PACKAGING:**  
 KITS SHALL BE INDIVIDUALLY PACKAGED IN ACCORDANCE WITH L-COM PACKAGING SPECIFICATION PS-0031.

**REGULATORY COMPLIANCE:**  
 ROHS, CE



|  |   |                                    |  |                          |
|--|---|------------------------------------|--|--------------------------|
| UNLESS OTHERWISE SPECIFIED,<br>DIMENSIONS ARE IN INCHES [mm]<br>OVERALL CABLE LENGTH TOLERANCE:<br>≤12 [305] = +1 [25] / -0<br>>12 [305] ≤60 [1524] = +2 [51] / -0<br>>60 [1524] ≤120 [3048] = +4 [102] / -0<br>>120 [3048] ≤300 [7620] = +6 [152] / -0<br>>300 [7620] = +5% / -0%<br>ALL OTHER DIMENSIONAL TOLERANCES:<br>.X = ±.2 [5.08]<br>.XX = ±.02 [51]<br>.XXX = ±.005 [1.27] | APPROVALS<br>DRAWN BY<br>D. PARHAM<br>CHECKED BY<br>T. CLARK<br>APPROVED BY<br>C. MCCORMICK | DATE<br>6/3/04<br>6/3/04<br>6/3/04 | 45 BEECHWOOD DRIVE<br>NORTH ANDOVER, MA<br>01845 |                          |
|  | CONFIGURATION DETAILS OF<br>UNDIMENSIONED FEATURES<br>MAY VARY                              |                                    | CATEGORY<br>TELECOM/MODULAR                      |                          |
|  | PROJECTION<br>  |                                    | PRODUCT DESCRIPTION<br>JACK RJ45/110 FLNG SHLD   |                          |
|  | COLOR VARIATIONS<br>MAY OCCUR   |                                    | SIZE<br><b>A</b>                                 | FSCM NO.<br><b>43321</b> |

## X-ON Electronics

Largest Supplier of Electrical and Electronic Components

*Click to view similar products for [l-com](#) manufacturer:*

Other Similar products are found below :

[FOA-550A](#) [UMC-201](#) [CSMN50MF-5](#) [CSMNB15MF-15](#) [TRD815RA2BL-5](#) [CA3A-90DA-1M](#) [CTLF3VGAMM-20](#) [HDCAMM-3](#)  
[U3A00007-05M](#) [U3A00014-03M](#) [CSMT15MF-10](#) [CSMT15MM-15](#) [CSMT15MM-25](#) [CSPL15MF-50](#) [CSPL25MF-25](#) [CSPL9MF-10](#)  
[CSPL9MF-5](#) [CSPL25MF-5](#) [CSPL25MF-2.5](#) [AL-IPEPS](#) [NB201611-10F-1](#) [TDG1026KC5-MNL](#) [NB121005-10F](#) [TRD855SRA6DBL-10M](#)  
[TRD855SRA7DBL-1M](#) [TRD855SRA7DBL-10M](#) [U2A00017-05M](#) [PR175SCDLCQ24](#) [TRG508-T4T-3M](#) [TRA5261-15F](#) [TRA5261S-1F](#)  
[TRA6261-1F](#) [USBBFT](#) [DGB25M](#) [HG2403RD-RSF](#) [CASATAL-18](#) [CSM25MM-10](#) [CSM37MF-10](#) [CSUSB-100](#) [CA3A-90RA-1M](#) [CA3A-](#)  
[90RMICB-1M](#) [U2A00003-3M](#) [U3A00003-05M](#) [U2A00008-12I](#) [U3A00007-075M](#) [U3A00007-1M](#) [HGV-903U](#) [CSMT15MF-5](#)  
[CSMT15MM-50](#) [CSPL15MF-25](#)