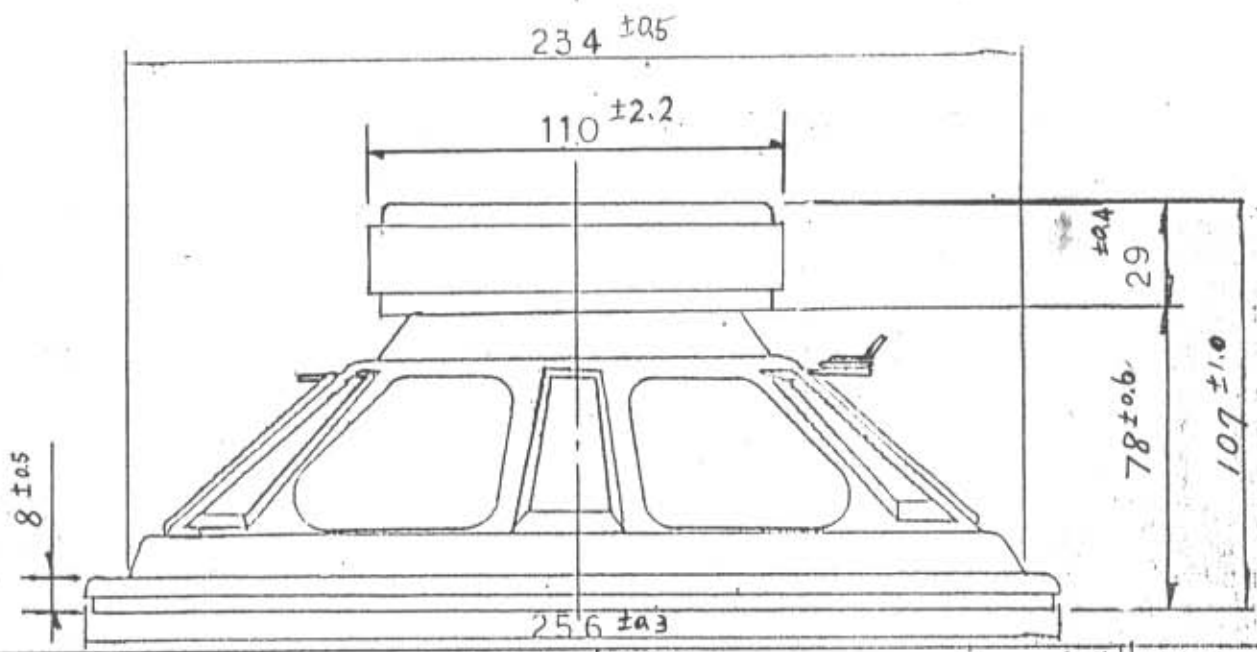
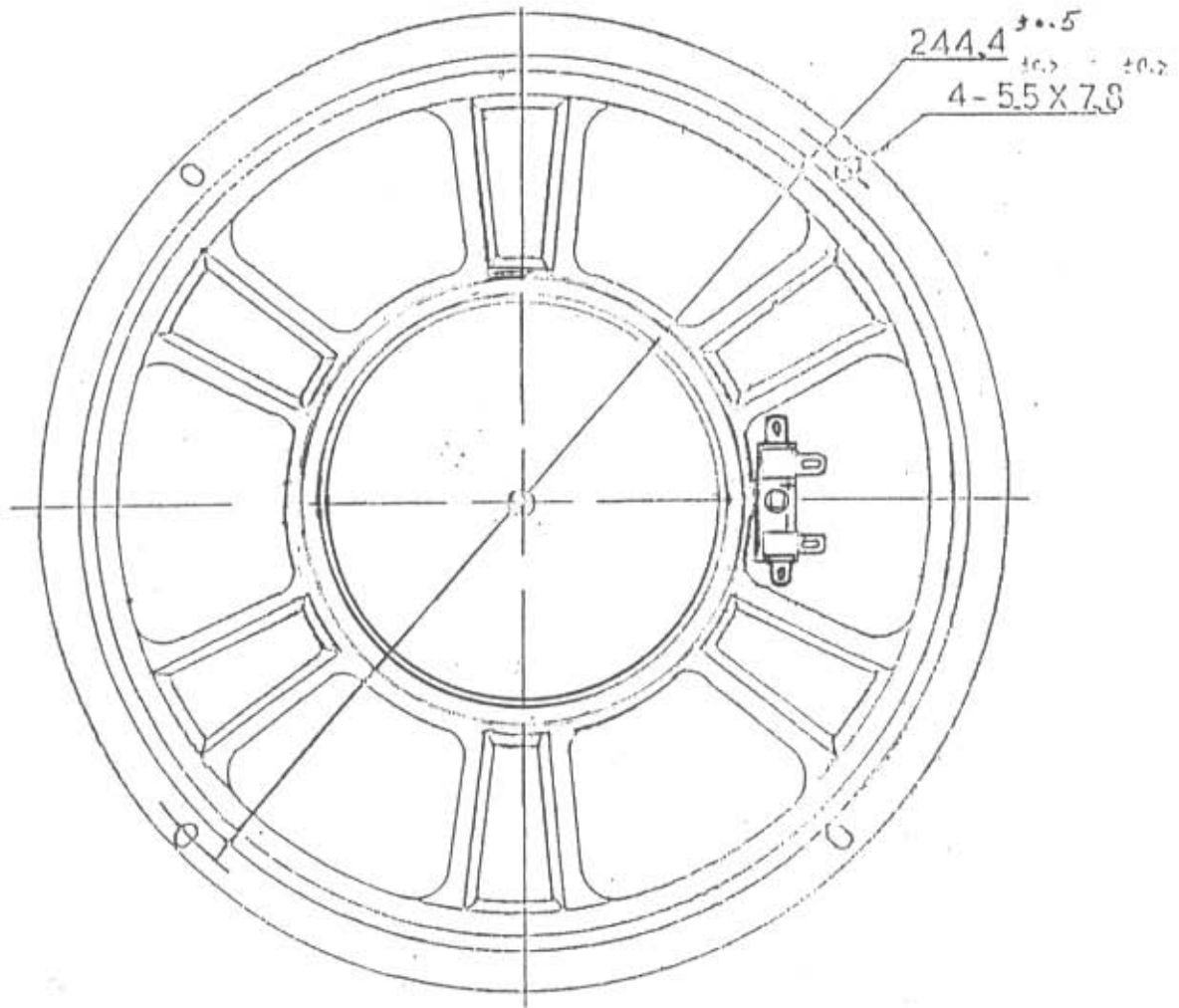


**MCM Audio Select  
Model 55-1300  
10" MI Speaker  
www.mcminone.com**

ITEMS	SPECIFICATIONS
1 DIMENSIONS	256 MM ( 10 INCH )
2 IMPEDANCE	8 ± 1.2 OHM( 0.3 KHz 1.0 V)
3 INPUT	RATED 70 W , MAX 100 W
4 LOWEST RESONANT FREQUENCY	45 ± 9 Hz ( 1.0 V)
5 SOUND PRESSURE LEVEL	90 ± 2 dB/W ( 2.83 V , 1.0 M ) AVERAGE AT 0.2 , 0.25 , 0.3 , 0.4 KHz
6 EFFECTIVE FREQUENCY RANGE	F0 ~ 10000 Hz
7 DISTORTION FACTOR	5.0 % MAX (AT 0.3 KHz , 10 W , 1.0 M )
8 FLUX DENSITY	— ± — GAUSS
9 TOTAL FLUX	— ± — MAXWELL
10 POLARITY	WHEN A POSITIVE DC CURRENT IS APPLIED TO THE TERMINAL MARKED + , THE DIAPHRAGM SHALL MOVE FORWARD .
11 SINE WAVE TEST	10 V
12 MAGNET	110 . 60 . 17 MM( 567 GRAMS) ( 20.0 OZ) . . MM( GRAMS )( . OZ)
13 WEIGHT	1820 GRAMS ( 65 OZ )
14 DROP TEST	THE SPEAKER SHALL BE DROPPED ALONG A FLAT PLATE 15° INCLINED FROM THE VERTICAL. THEN LET THE MAGNETIC FIELD PART IMPACT THE MAHOGANY BLOCK AT THE BOTTOM OF THE SLIDE. NO ANY STRUCTURAL OR ACOUSTIC DEFECT SHALL OCCUR AS A RESULT OF THIS TEST. THE DROP DISTANCE IS 1 METER.
15 LIFE TEST	70 W 96 H EIA WHITE NOISE
16 HUMIDITY TEST	43 °C 92 2 % RH 96 H
17 TEMPERATURE TEST	70 °C 96 H

DESIGE	CHARGE	HEAD	MANAGER



--- 02 2- 2		MATERIAL	SCALE 1/2	QUANTITY
		FINISH	TOLERANCE	ANGLE
		TITLE		
		55-1300 10" MI Speaker		
1.	初 版 製 行	83.3.25	郭	DATE
REVISION		DATE		

---

SCIENTIFIC DESIGN SOFTWARE  
Driver Parameters From Measurement Data

---

---

Entered Data as Follows:

---

Entered driver DC resistance (Re)	6.90 ohms
Entered driver resonance frequency (Fs)	44.00 hertz
Entered driver maximum impedance at Fs	37.40 ohms
Entered driver F1 frequency	35.00 hertz at 16.10 ohms
Entered driver F2 frequency	57.00 hertz at 16.10 ohms
Calculated Square root of F1*F2	44.70 hertz
Calculated error factor	1.60 percent
Compliance calculated by ADDED MASS method	
Entered added mass	20.00 grams
Entered driver new resonance frequency	35.00 hertz
Entered driver piston diameter	213.00 mm
Entered driver magnet gap depth	6.00 mm
Entered driver voice coil length	12.70 mm

---

Calculated Thiele/Small Parameters:

---

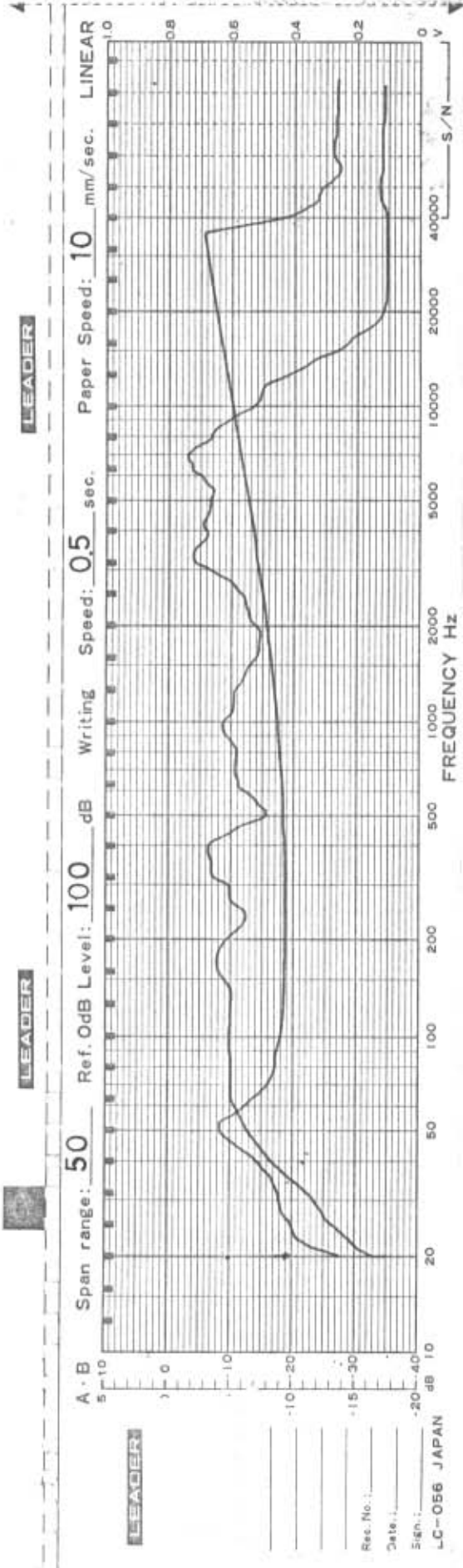
Free Air Resonance (Fs)=SQR(F1*F2)	44.70 hertz
Qts	0.8727
Qes	1.0702
Qms	4.73
Equivalent acoustic compliance (Vas)	71.34 liters
Piston area (Sd)	0.0356 square meters
DC resistance (Re)	6.90 ohms
Volume displacement (Vd)	119.37 ccm
Linear displacement (Xmax)	3.35 mm
Coil Inductance (Le)	0.65 mH
Reference Efficiency (Ref Eff)	0.57 percent
Efficiency Bandwidth Product (EBP)	41.77 hertz

---

Other Calculated Data:

---

Moving Mass of Diaphragm only (Mmd)	27.87 grams
Moving Mass of Diaphragm & Air Load (Mms)	31.69 grams
Mass of Air load on diaphragm (Ma)	3.82 grams
Compliance (Cms)	0.00040 m/N
BL product (BL)	7.58 N/A
Sensitivity (SPL 1w/1m)	89.57 dB



## **X-ON Electronics**

Largest Supplier of Electrical and Electronic Components

*Click to view similar products for [mcm manufacturer](#):*

Other Similar products are found below :

[NWTBATCAPMB13](#) [27-505](#) [27-4200](#) [27-840](#) [28-5958](#) [50-10820](#) [28-1510](#) [27-5918](#) [27-5977](#) [24-12352](#) [287-14020](#) [28-6023](#) [35SPS-3](#) [28-6008](#) [21-4605](#) [21-4575](#) [21-19084](#) [21-12825](#) [27-570](#) [28-1525](#) [83-17604](#) [27-5833](#) [27-6020](#) [24-12345](#) [28-6017](#) [28-6032](#) [21-18966](#) [30-1530](#) [28-970](#) [27-560](#) [26-120](#) [CA68B](#) [24-12344](#) [28-6005](#) [24-13075](#) [PCM-2100-50](#) [21-18956](#) [28-6080](#) [24-5360](#) [24-1040](#) [27-5917](#) [28-6031](#) [HD15MM35N-100F](#) [28-975](#) [27-4270](#) [85-11102](#) [27-5940](#) [27-5949](#) [27-6112](#) [HD15MM35N-6F](#)