

INDIVIDUAL LOUDSPEAKERS



Quam

4C3PA

PUBLIC ADDRESS

4" O.D. Speaker, 5 Ounce Magnet, 8Ω

GENERAL DESCRIPTION

The **4C3PA** is a 4" square frame loudspeaker with a cloth surround, 5 oz. magnet, and an 8 Ohm nominal impedance. Frame has black powder coat finish.

INTENDED USE - Indoor Environment

Program Material | Signal tones, voice, and music

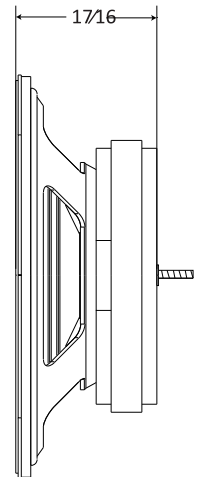
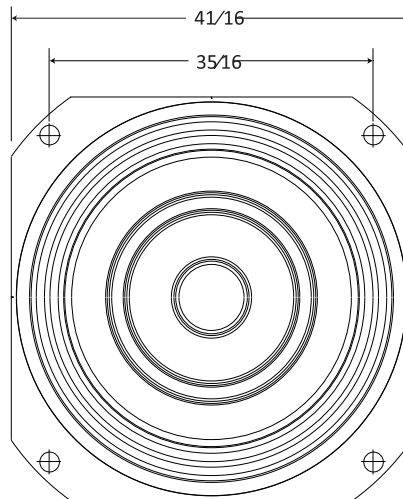
AUDIO SPECIFICATIONS

Average Sensitivity	96 dB SPL, 1W/ 1M
Loudspeaker Power Rating	10W RMS, EIA 426A Standard
Calculated Output	103 dB SPL, 5W/ 1M
Magnet Type & Weight	BeFe Ceramic, 5 oz. Nominal
Frequency Response	80 Hz - 17 kHz EIA 426A Standard
Nominal Coverage Angle	90° Included Angle, -6 dB / 2 kHz, Half space
Audio Connection	0.205" Spade lug



RECOMMENDED QUAM ACCESSORIES

Baffle	BR4WS Only
Mounting Device	SSB-4 Only



X-ON Electronics

Largest Supplier of Electrical and Electronic Components

Click to view similar products for [quam nichols](#) manufacturer:

Other Similar products are found below :

[30C25Z450T](#) [8C5Z45](#) [8C10FECOB](#) [ERD-8](#) [4C3PA](#)