

INDIVIDUAL LOUDSPEAKERS



Quam

8C5Z45

PUBLIC ADDRESS

8" O.D. Speaker, 5 Ounce Magnet, 45Ω

GENERAL DESCRIPTION

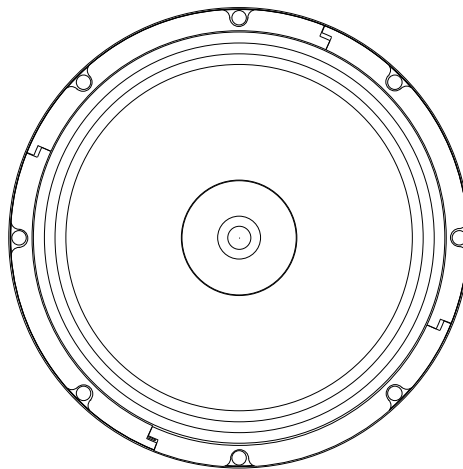
The 8C5Z45 is an 8" O.D. dual cone loudspeaker with a 5 oz. magnet and a 45 Ohm nominal impedance. Frame has a black powder coat finish.

INTENDED USE - Indoor Environment

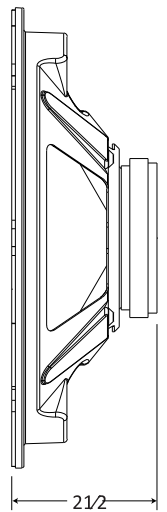
Program Material | Signal tones, voice, and music

AUDIO SPECIFICATIONS

| | |
|--------------------------|--|
| Average Sensitivity | 92 dB SPL, 1W/ 1M |
| Loudspeaker Power Rating | 12W RMS, EIA 426A Standard |
| Maximum Power Rating | 15W @ 8 Ohms |
| Calculated Output | 103 dB SPL, 5W/ 1M |
| Magnet Type & Weight | BeFe Ceramic, 5 oz. Nominal |
| Frequency Response | 65 Hz - 17 kHz EIA 426A Standard |
| Nominal Coverage Angle | 100° Included Angle, -6 dB / 2 kHz, Half space |
| Audio Connection | 0.205" Spade lug |



Ø8



2 1/2

Recommended construction sequences, installation instructions, and A&E Specifications are available in various formats in the QUAM Architects' and Engineers' Resources section on the web at: www.QuamSpeakers.com

© 2013 Quam-Nichols Company reserves the right to make changes and/or improvements to its products at any time and without notice.



QUAM-NICHOLS COMPANY, INC.
 234 East Marquette Rd.
 Chicago, IL. 60637
 Tel: 1-800-NEED-NOW (800-633-3669)
 Fax: 1-888-NEED-NOW (888-633-3669)
 e-mail: NeedNow@QNC.com
www.QuamSpeakers.com

X-ON Electronics

Largest Supplier of Electrical and Electronic Components

Click to view similar products for [quam nichols](#) manufacturer:

Other Similar products are found below :

[30C25Z450T](#) [8C5Z45](#) [8C10FECOB](#) [ERD-8](#) [4C3PA](#)