



Quam

INDIVIDUAL LOUDSPEAKERS

8C10DVPAX

DUAL VOICE COIL

8" O.D. Speaker, 10 Ounce Magnet, Dual Voice Coils, 8Ω

GENERAL DESCRIPTION

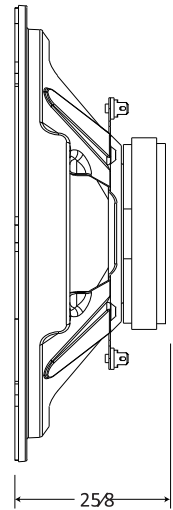
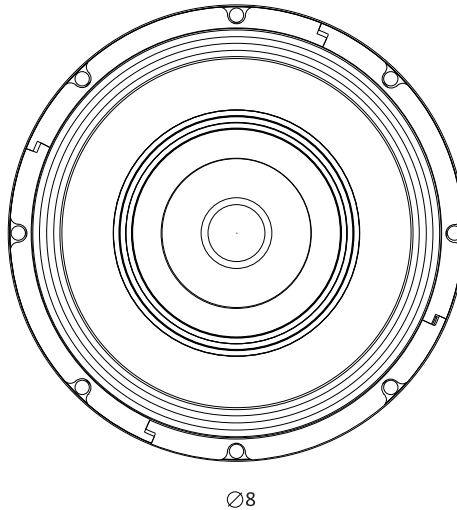
The **8C10DVPAX** is an 8" O.D. dual voice coil, dual cone loudspeaker with a 10 oz. magnet and an 8 Ohm nominal impedance. Frame has a black powder coat finish.

INTENDED USE - Indoor Environment

Program Material | Signal tones, voice, and music

AUDIO SPECIFICATIONS

Average Sensitivity	92 dB SPL, 1W/ 1M
Loudspeaker Power Rating	20W RMS, EIA 426A Standard
Calculated Output	99 dB SPL, 5W/ 1M
Magnet Type & Weight	BeFe Ceramic, 10 oz. Nominal
Frequency Response	60 Hz - 12 kHz EIA 426A Standard
Nominal Coverage Angle	90° Included Angle, -6 dB / 2 kHz, Half space
Audio Connection	0.205" Spade lug



Recommended construction sequences, installation instructions, and A&E Specifications are available in various formats in the QUAM Architects' and Engineers' Resources section on the web at: www.QuamSpeakers.com

© 2013 Quam-Nichols Company reserves the right to make changes and/or improvements to its products at any time and without notice.



QUAM-NICHOLS COMPANY, INC.
234 East Marquette Rd.
Chicago, IL. 60637
Tel: 1-800-NEED-NOW (800-633-3669)
Fax: 1-888-NEED-NOW (888-633-3669)
e-mail: NeedNow@QNC.com
www.QuamSpeakers.com

X-ON Electronics

Largest Supplier of Electrical and Electronic Components

Click to view similar products for [quam nichols](#) manufacturer:

Other Similar products are found below :

[30C25Z450T](#) [8C5Z45](#) [8C10FECOB](#) [ERD-8](#) [4C3PA](#)