

Datasheet



The sensor polarizes the emitted light and filters out unwanted reflections, making sensing possible in applications otherwise considered unsuited to retroreflective sensing.

- Detects objects between 0.15 m (6 in) and 6 m (20 ft) away
- Includes the retroreflective-mode photoelectric sensor, a wireless Node, and an internal battery to make it easy to install
- Aligning the visible red sensing beam is easy
- Counts up to 960 parts per minute

Models	Frequency	Sensing Range	Inputs and Outputs
DX80N2Q45LP	2.4 GHz ISM Band	0.15 m to 6 m (6 in to 20 ft)	Photoelectric sensor with event counter
DX80N9Q45LP	900 MHz ISM Band		

Performance is specified using the model BRT-3 3-inch reflector (see the Accessories section of your current Banner catalog for further information).



WARNING: Not To Be Used for Personnel Protection

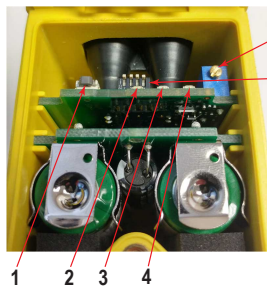
Never use this device as a sensing device for personnel **protection**. Doing so could lead to serious injury or death. This device does not include the self-checking redundant circuitry necessary to allow its use in personnel safety applications. A sensor failure or malfunction can cause either an energized or de-energized sensor output condition.

Storage Mode for the Q45

While in storage mode, the Q45's radio does not operate. The Q45 ships from the factory in storage mode to conserve the battery. To wake the device, press and hold the button for five seconds. To put any Q45 into storage mode, press and hold the button for five seconds. The Q45 is in storage mode when the LEDs stop blinking.

Configuration Instructions

Button and LEDs



1. Button
2. Red LED (flashing) indicates a radio link error with the Gateway.
3. Green LED (flashing) indicates a good radio link with the Gateway.
4. Amber LED for Alignment or Test Mode. Indicates sensor function (optical sensor models) or when input 1 is active (dry contact models). The amber LED is not used during normal operation.
5. Excess gain potentiometer. Turn clockwise to increase the gain.
6. DIP switches

DIP Switches

Settings	DIP Switch			
	1	2	3	4
900 MHz Transmit Power Level: 1 Watt (30 dBm)	OFF *			
900 MHz Transmit Power Level: 250 mW (24 dBm) (DX80 Compatibility Mode)	ON			
No Counter, 62.5 ms Sample Rate/Change of State Reporting		OFF *	OFF *	OFF *
Counter Enabled, 62.5 ms Sample Rate/1 min Report Rate		OFF	OFF	ON
Counter Enabled, 62.5 ms Sample Rate/User-Defined Report Rate		OFF	ON	OFF
Counter Enabled, 31.25 ms Sample Rate/1 min Report Rate		OFF	ON	ON
Counter Enabled, 31.25 ms Sample Rate/User-Defined Report Rate		ON	OFF	OFF



Settings	DIP Switch			
	1	2	3	4
Reserved		ON	OFF	ON
Reserved		ON	ON	OFF
UCT-Configured (User-Defined)		ON	ON	ON

* Default Configuration

Transmit Power Levels

The 900 MHz radios transmit at 1 Watt (30 dBm) or 250 mW (24 dBm). While the Performance radios operate in 1 Watt mode, they cannot communicate with the older 150 mW radios. To communicate with 150 mW radios, operate this radio in 250 mW mode. For 2.4 GHz models, this DIP switch is disabled. The transmit power for 2.4 GHz is fixed at about 65 mW EIRP (18 dBm), making the 2.4 GHz Performance models automatically compatible with older 2.4 GHz models.

Sample and Report Rates

The sample interval, or rate, defines how often the Sure Cross device samples the input. For battery-powered applications, setting a slower rate extends the battery life.

The report rate defines how often the Node communicates the I/O status to the Gateway. For *FlexPower*® applications, setting the report rate to a slower rate extends the battery life.

Modbus Registers

I/O #	Modbus Holding Register		I/O Type	I/O Range		Holding Register Representation	
	Gateway	Any Node		Min. Value	Max. Value	Min. (Dec.)	Max. (Dec.)
1	1	1 + (Node# × 16)	Sensor IN 1 State	0	1	0	1
2	2	2 + (Node# × 16)	Reserved				
3	3	3 + (Node# × 16)	Counter High Word	0	65535	0	65535
4	4	4 + (Node# × 16)	Counter Low Word	0	65535	0	65535
7	7	7 + (Node# × 16)	Reserved				
8	8	8 + (Node# × 16)	Device Message				
14	14	14 + (Node# × 16)	Clear Counter	0	1	0	1
15	15	15 + (Node# × 16)	Control Message				
16	16	16 + (Node# × 16)	Reserved				

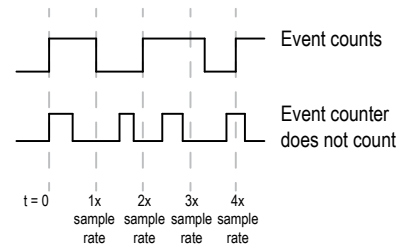
Using the Event Counter

The counter "counts" when the input is on for a minimum of the sample rate. The counter input is off when the input is off for a minimum of the sample rate.

For example, if your sample rate is set to 62.5 ms, the counter input is on, and therefore counts, when the input is on for at least 62.5 ms. If the input is not on for 62.5 ms, the counter does not increment.

To clear the counter when you are using a host-controlled system, send a control message to Node register 15. Control messages on Node register 15 are acknowledged with the same value echoed to Node register 7.

1. Write 5388 (0x150C) to Node register 15.
2. Read Node register 7 until it echoes the Node register 15 value.



To clear the counter when you are not using a host-controlled system, write a 1 to the Node's output register 14. Clearing the counter requires that this register goes from a 0 to a 1. If there is already a 1 in the register, first write a 0, then write the 1. You can use the Gateway I/O mapping to map an input, such as a button, to clear the counter value.

Installation Instructions

Bind the Q45 to the Gateway and Assign the Node Address

Before beginning the binding procedure, apply power to all the devices.

1. Enter binding mode on the Gateway.

- For single-button models, triple-click the button.
- For two-button models, triple-click button 2.

On the board modules, the green and red LED flashes. On the housed Gateway models, both LEDs flash red.

2. Assign the Q45 a Node address using the Gateway's rotary dials. Use the left rotary dial for the left digit and the right rotary dial for the right digit. For example, to assign your Q45 to Node 01, set the left dial to 0 and the right dial to 1.

Valid Node addresses are 01 through 47.

3. Loosen the clamp plate on the top of the Q45 and lift the cover.

4. Enter binding mode on the Q45 by triple-clicking the button. For the opposed mode sensor, the button is on the receiver.

The red and green LEDs flash alternately and the sensor searches for a Gateway in binding mode. After the Q45 is bound, the LEDs stay solid momentarily, then they flash together four times. The Q45 exits binding mode.

5. Label the sensor with the Q45's Node address number and place the sticker on the Q45.

6. Repeat steps 2 through 5 for as many Q45 as are needed for your network.

7. After binding all Q45, exit binding mode on the Gateway.

- For single-button models, double-click the button.
- For two-button models, double-click button 2.

For Gateways with LCDs, after binding your Q45 to the Gateway, make note of the binding code displayed under the Gateway's *DVCFG menu, XADR submenu on the LCD. Knowing the binding code prevents having to re-bind all Q45s if your Gateway is ever replaced.

Optical Alignment Mode (Retroreflective)

The Wireless Q45 Sensor enters and remains in optical alignment mode for 15 minutes after the button is pushed, after the Wireless Q45 Sensor exits binding mode, or after the Q45 is powered up (battery replaced).

During optical alignment mode, the sensor's beam is bright enough to see when aligned with a reflector or target, making alignment and mounting easier to accomplish. During this alignment mode, the sensor's yellow LED lights up whenever the sensor detects the reflected beam.

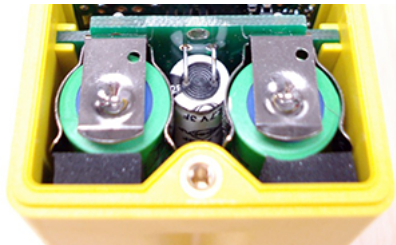
After 15 minutes, the Wireless Q45 Sensor automatically exits optical alignment mode and begins normal operation. After the sensor begins normal operation, the amber/yellow sensor state LED is inactive. To exit alignment mode earlier, click the button five times.



Replacing the Batteries

To replace the lithium "AA" cell battery, follow these steps.

As with all batteries, these are a fire, explosion, and severe burn hazard. Do not burn or expose them to high temperatures. Do not recharge, crush, disassemble, or expose the contents to water. Properly dispose of used batteries according to local regulations by taking it to a hazardous waste collection site, an e-waste disposal center, or other facility qualified to accept lithium batteries.



1. Lift the plastic cover.
2. Slide the board containing the batteries out of the Q45 housing.
3. Remove the discharged batteries and replace with new batteries. Use two 3.6 V AA lithium batteries, such as Xeno's XL-60F or equivalent.
4. Verify the battery's positive and negative terminals align to the positive and negative terminals of the battery holder mounted within the case. Caution: There is a risk of explosion if the battery is replaced incorrectly.
5. Slide the board containing the new batteries back into the Q45 housing.

Replacement battery model number: BWA-BATT-006. For pricing and availability, contact Banner Engineering.

Specifications

Radio Range¹

- 900 MHz, 1 Watt (Internal antenna): Up to 3.2 km (2 miles)
- 2.4 GHz, 65 mW (Internal antenna): Up to 1000 m (3280 ft) with line of sight

Transmit Power

- 900 MHz, 1 Watt: 30 dBm (1 W) conducted (up to 36 dBm EIRP)
- 2.4 GHz: 65 mW EIRP

Minimum Separation Distance

- 900 MHz, 1 Watt: 4.57 m (15 ft)
- 2.4 GHz, 65 mW: 0.3 m (1 ft)

Battery Life (Typical)

- With no counter and change-of-state reporting of greater than 5 minutes: Up to 2 years
- With no counter and change-of-state reporting of about 30 s: 1.5 years
- With a counter set to 62.5 ms sample rate and 60 s report rate: 1.5 years
- With a counter set to 31.25 ms sample rate and 60 s report rate: 1 year

Default Sample Rate

62.5 milliseconds

Default Report Rate

On Change of State

Sensing Range

0.15 m to 6 m (6 in to 20 ft)

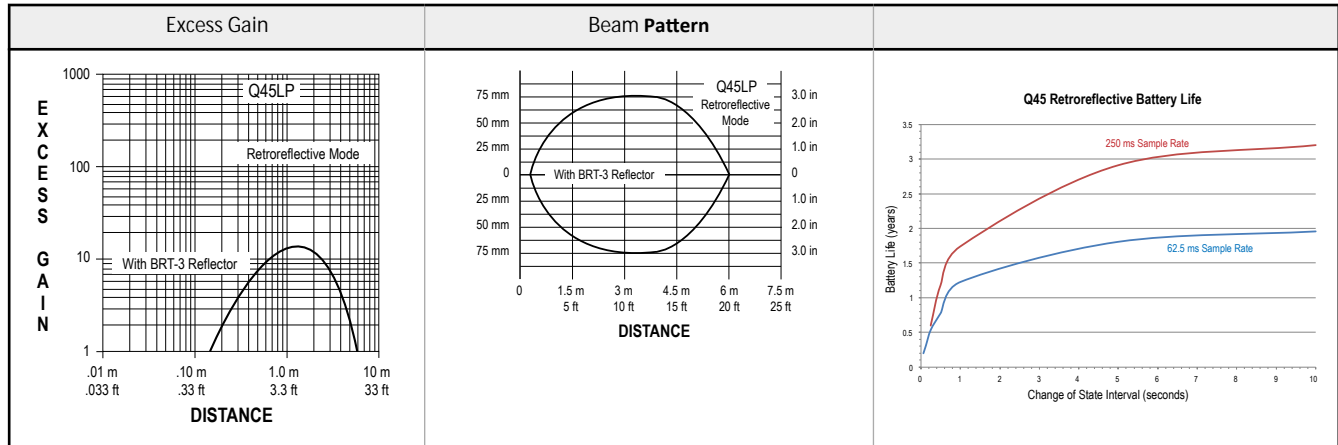
¹ Range depends on the environment and decreases significantly without line of sight. Always verify your wireless network's range by performing a Site Survey.

Spread Spectrum Technology
 FHSS (Frequency Hopping Spread Spectrum)
 900 MHz Compliance
 FCC ID TGUIDX80 - This device complies with FCC Part 15, Subpart C, 15.247
 IC: 7044A-DX8009
 2.4 GHz Compliance
 FCC ID UE300DX80-2400 - This device complies with FCC Part 15, Subpart C, 15.247
 ETSI EN 300 328 V1.8.1 (2012-06)
 IC: 7044A-DX8024

Construction
 Molded reinforced thermoplastic polyester housing, oring-sealed transparent Lexan® cover, molded acrylic lenses, and stainless steel hardware. Q45s are designed to withstand 1200 psi washdown.

Indicators
 Red and green LEDs (radio function); amber LED (only for alignment mode)
Adjustments
 Multi-turn sensitivity control (allows precise sensitivity setting - turn clockwise to increase gain).
Environmental Rating
 NEMA 6P, IEC IP67
Operating Conditions
 -40 °C to 70 °C (-40 °F to 158 °F); 90% relative humidity at 50 °C (non-condensing)

Performance Curves



Banner Engineering Corp. Limited Warranty

Banner Engineering Corp. warrants its products to be free from defects in material and workmanship for one year following the date of shipment. Banner Engineering Corp. will repair or replace, free of charge, any product of its manufacture which, at the time it is returned to the factory, is found to have been defective during the warranty period. This warranty does not cover damage or liability for misuse, abuse, or the improper application or installation of the Banner product.

THIS LIMITED WARRANTY IS EXCLUSIVE AND IN LIEU OF ALL OTHER WARRANTIES WHETHER EXPRESS OR IMPLIED (INCLUDING, WITHOUT LIMITATION, ANY WARRANTY OF MERCHANTABILITY OR FITNESS FOR A PARTICULAR PURPOSE), AND WHETHER ARISING UNDER COURSE OF PERFORMANCE, COURSE OF DEALING OR TRADE USAGE.

This Warranty is exclusive and limited to repair or, at the discretion of Banner Engineering Corp., replacement. IN NO EVENT SHALL BANNER ENGINEERING CORP. BE LIABLE TO BUYER OR ANY OTHER PERSON OR ENTITY FOR ANY EXTRA COSTS, EXPENSES, LOSSES, LOSS OF PROFITS, OR ANY INCIDENTAL, CONSEQUENTIAL OR SPECIAL DAMAGES RESULTING FROM ANY PRODUCT DEFECT OR FROM THE USE OR INABILITY TO USE THE PRODUCT, WHETHER ARISING IN CONTRACT OR WARRANTY, STATUTE, TORT, STRICT LIABILITY, NEGLIGENCE, OR OTHERWISE.

Banner Engineering Corp. reserves the right to change, modify or improve the design of the product without assuming any obligations or liabilities relating to any product previously manufactured by Banner Engineering Corp. Any misuse, abuse, or improper application or installation of this product or use of the product for personal protection applications when the product is identified as not intended for such purposes will void the product warranty. Any modifications to this product without prior express approval by Banner Engineering Corp will void the product warranties. All specifications published in this document are subject to change: Banner reserves the right to modify product specifications or update documentation at any time. Specifications and product information in English supersede that which is provided in any other language. For the most recent version of any documentation, refer to: www.bannerengineering.com.

Exporting Sure Cross® Radios

Exporting Sure Cross® Radios. It is our intent to fully comply with all national and regional regulations regarding radio frequency emissions. Customers who want to re-export this product to a country other than that to which it was sold must ensure the device is approved in the destination country. A list of approved countries appears in the *Radio Certifications* section of the product manual. The Sure Cross wireless products were certified for use in these countries using the antenna that ships with the product. When using other antennas, verify you are not exceeding the transmit power levels allowed by local governing agencies. Consult with Banner Engineering Corp. if the destination country is not on this list.

X-ON Electronics

Largest Supplier of Electrical and Electronic Components

Click to view similar products for [banner manufacturer](#):

Other Similar products are found below :

[Q45VR2FPQ](#) [BTA23S](#) [RS-11](#) [L16F](#) [2LM3](#) [2PBA](#) [LM8-1](#) [LMT](#) [SM312CV](#) [SM31RQD](#) [LS4ELQ](#) [FX1](#) [Q45BB6LLQ](#) [QM42VP6AFV150Q](#)
[D12SP6FP](#) [MBCC-412](#) [BA23S](#) [BT21S](#) [BTA13S](#) [LM4-2](#) [QS18VN6LP](#) [ES-FA-6G](#) [T183E](#) [SLSP30-600Q88](#) [SLSP30-1200Q88](#)
[OTBVN6QD](#) [OPBA5](#) [PBAT](#) [SBLV1](#) [SMA91EQD](#) [SMA91E](#) [SMA912LVQD](#) [SMA912DQD](#) [SM2A312CVQD](#) [SM2A912LVQD](#)
[SM312FP1H](#) [SM31RL](#) [TL70RAQ](#) [TL70RQ](#) [K50LGRYPQ](#) [BRT-THG-4X4-5](#) [T18-2VNDL-Q8](#) [SLLP14-1190P88](#) [SME312DQD](#)
[SM312CUQD](#) [BR-2](#) [BR23P](#) [SM2A312FPQD](#) [SM2A312LVQD](#) [SM31EQD](#)