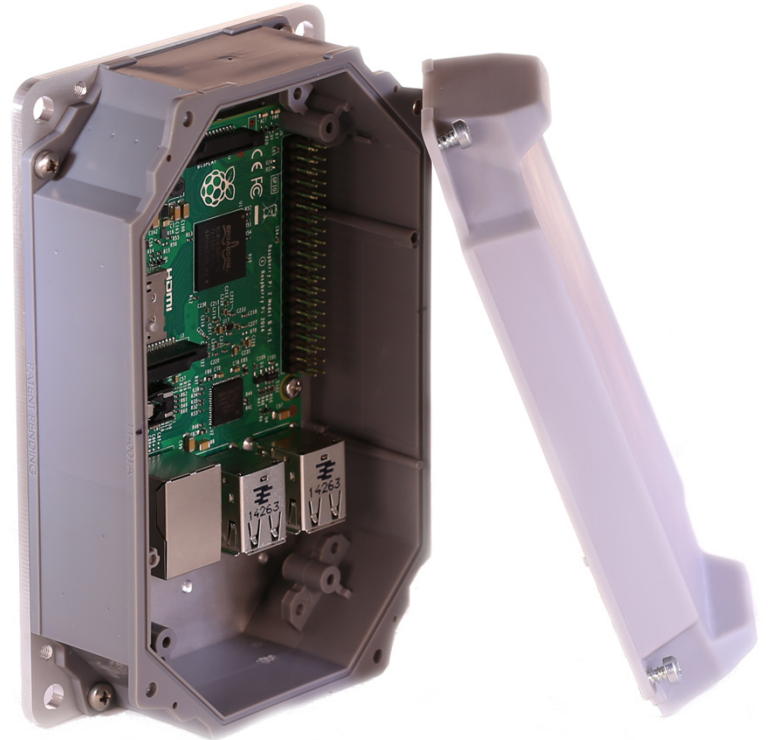




Rubicon Enclosure

Key Features

- IP67 Weatherproof
- Fits Raspberry Pi, Arduino, or Beaglebone and associated shields
- Modular and expandable
- Customizable holes and engravings



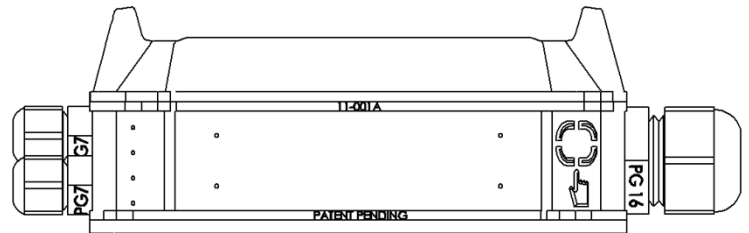
Raspberry Pi not included

Protect your project. Expand its capabilities. Customize it.

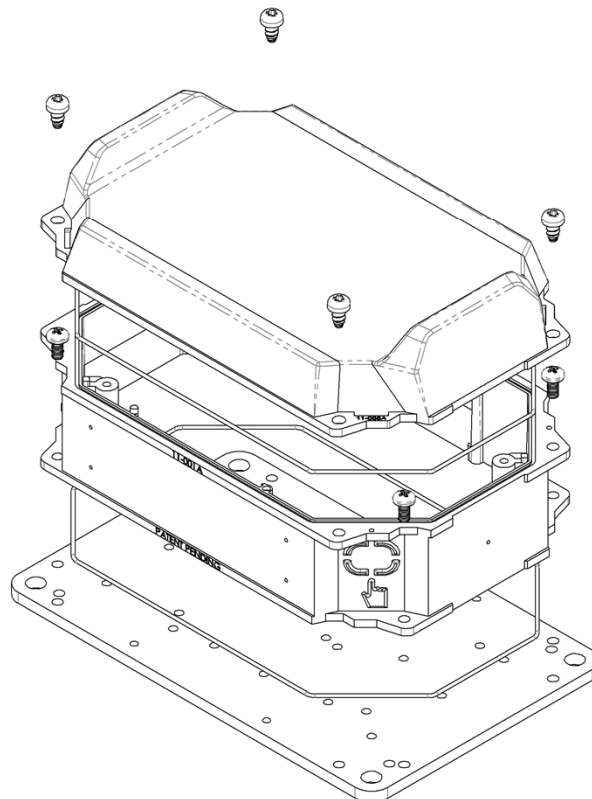
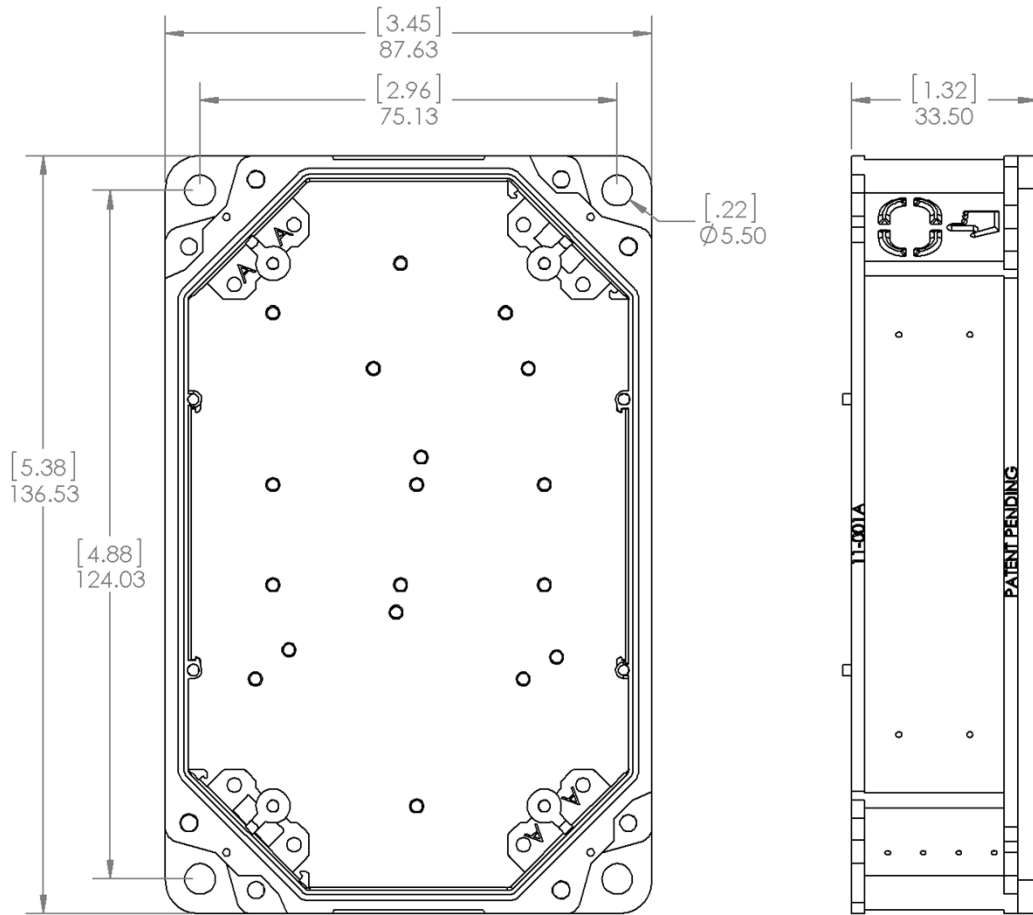
The Rubicon is the weatherproof box your project needs. Designed to protect your Raspberry Pi, Arduino, or BeagleBone boards, the Rubicon seals your project in a dust and water tight packaging, letting your project move from your desk to the real world - hassle free.

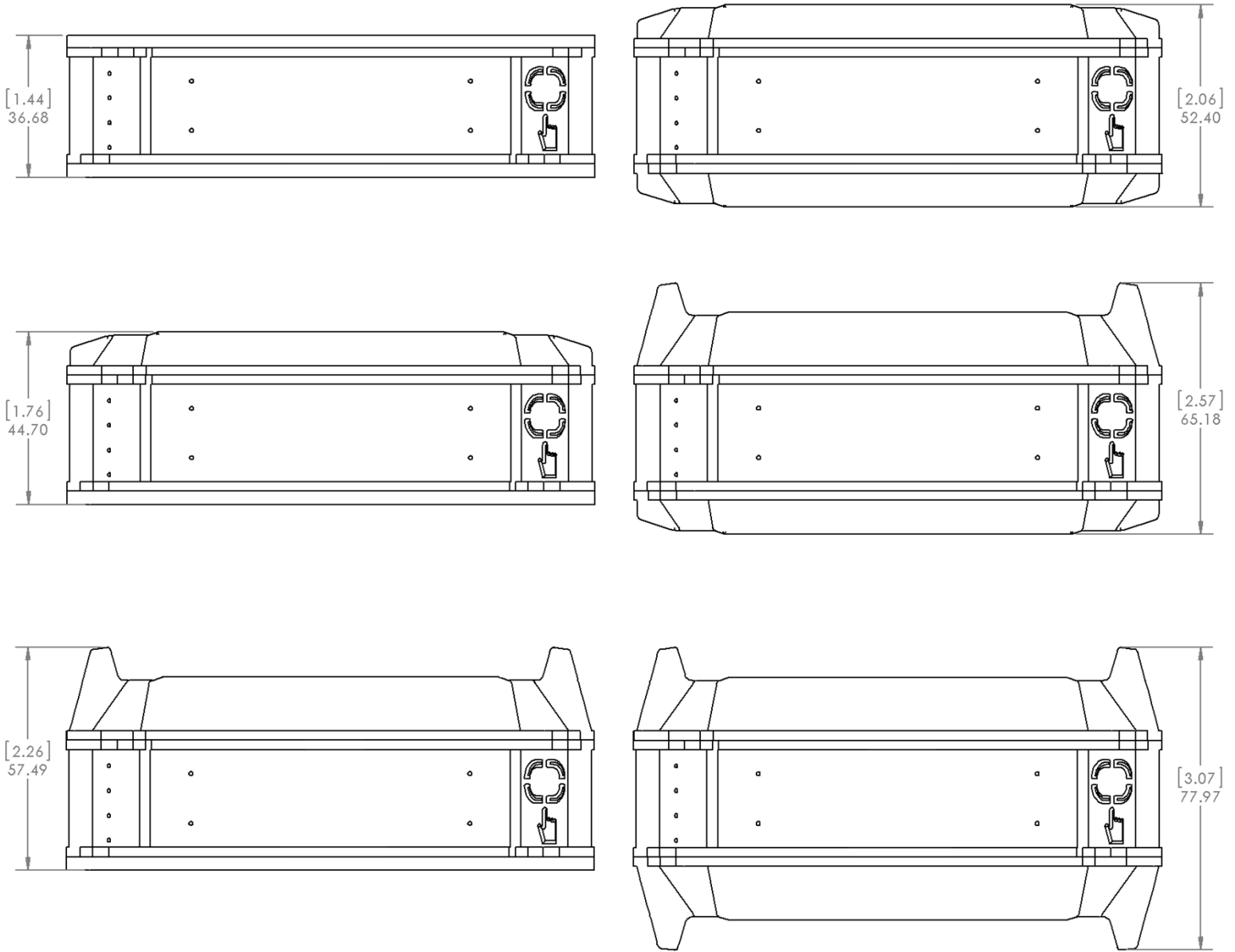
The Rubicon has enough room for your single-board computer, a lithium battery, and a few basic additional components and sensors. The modular design allows stackability to fit all the needs of a project from start to finish. Customization options allow for desired gland placement and logo or text engraving.

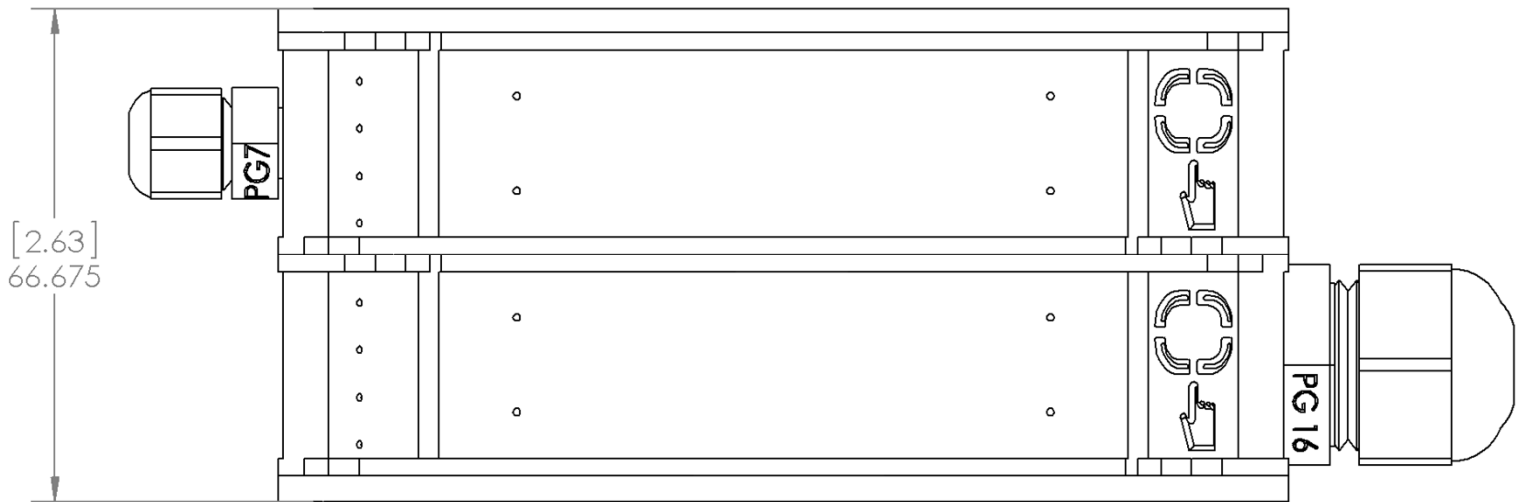
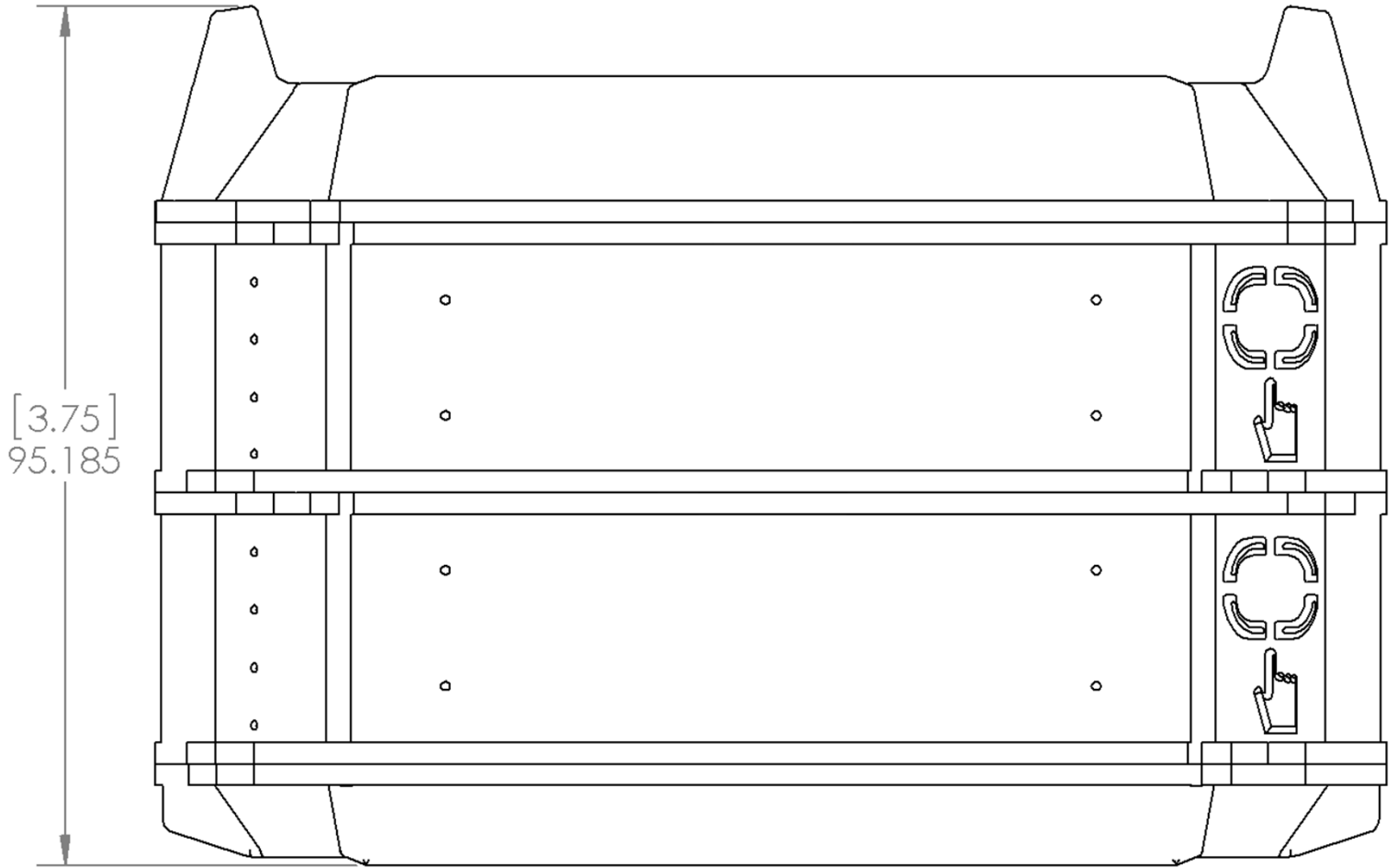
The deep cover design provides the ability to use two internal antennas. Optional weatherproof RP SMA connectors are available for external antenna use. Optional clear cover for displays or aluminum cover for custom engraving. 5V 15W power supply available.

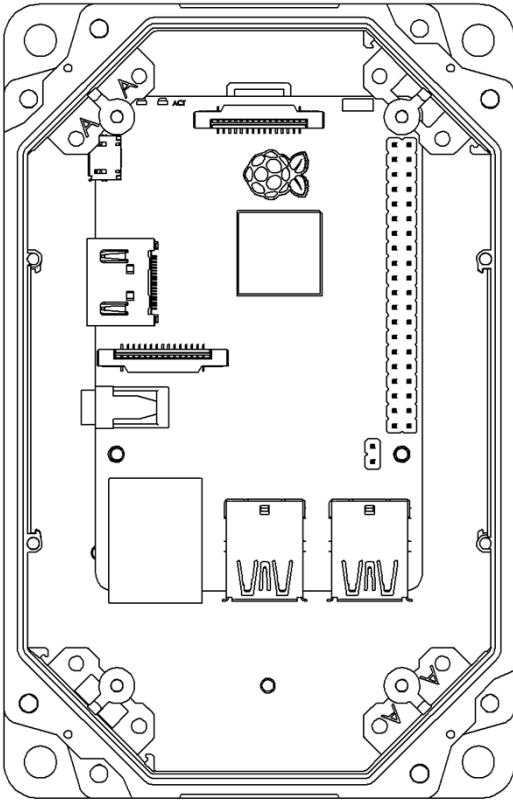


Specifications	
Exterior Dimensions	87.6 x 136.5 x 57.5 mm 3.45 x 5.38 x 2.26 in
Color	Grey or Orange
Weight	From 210 gm (approx.)
Temperature	-40°C to 55°C
Humidity	0 to 100%
RoHS Compliant	Yes
Mounting Screws	M2.5 (Interior), M5 (Exterior)
Glands	Up to PG16
Conduit	Up to ½"

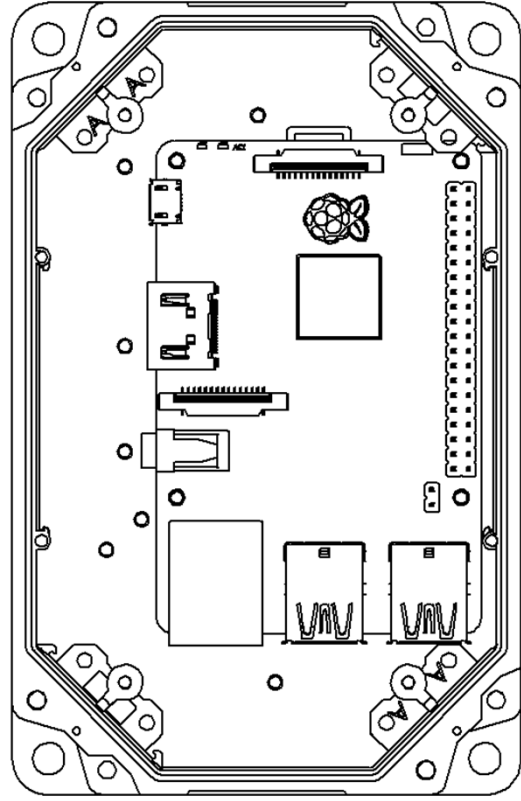




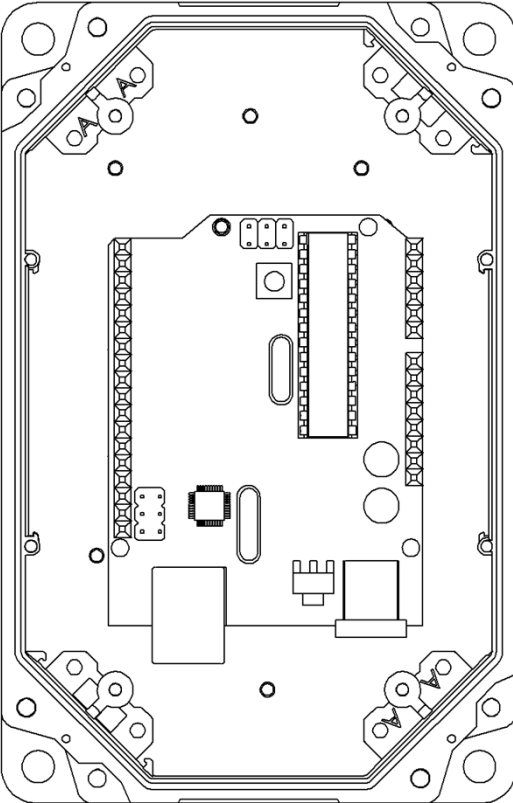




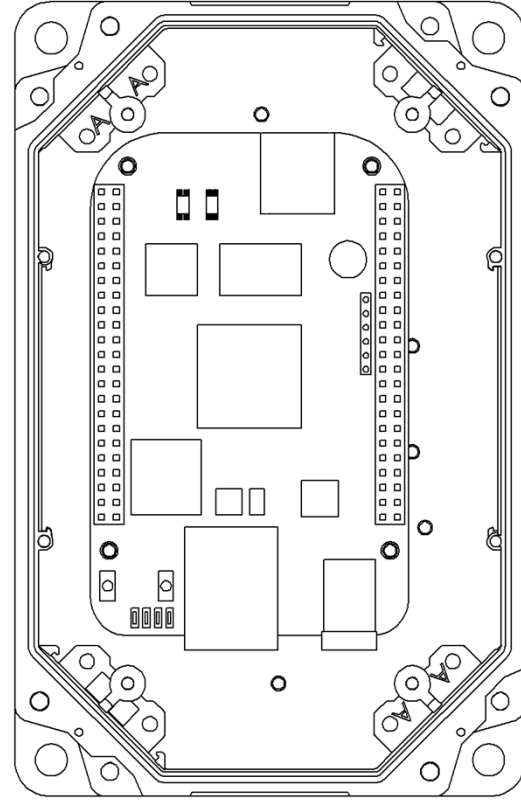
Raspberry Pi



Raspberry Pi Alternate



Arduino



BeagleBone

X-ON Electronics

Largest Supplier of Electrical and Electronic Components

Click to view similar products for [openh.io](#) manufacturer:

Other Similar products are found below :

[OPENH.IO](#)