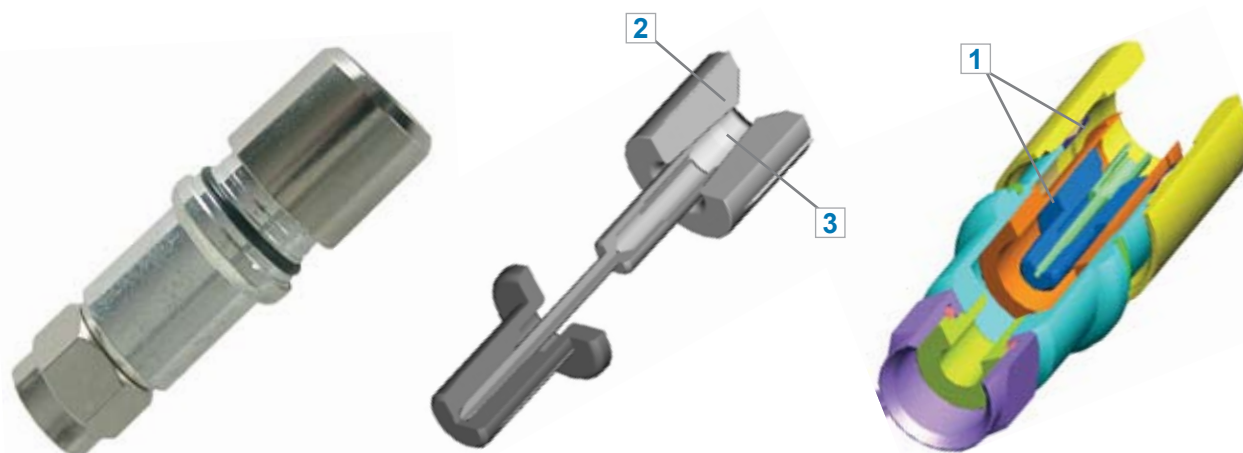


# SLCU-11 SERIES COMPRESSION CONNECTOR

MODELS SLCU-11 : SLCU-11Q



SLCU-11/SLCU-11Q

SLCU-11 shown above  
\* See "SLCU-11 Features" below

## FEATURES

- **Dual Compression Points**
- **Internal Center Conductor Guide**
- **High Center Conductor Holding Force** (3 lbs.)
- **Lower Cable Insertion Force**
- **All Metal Construction**

### SLCU-11 SERIES FOR RG-11 CABLE

Holland Electronics' SLCU-11 utilizes an advanced pin capture mechanism, making it an ideal choice for professional RG-11 terminations. The SLCU-11 features a sliding pin design that avoids blind mating and ensures positive center conductor insertion to provide the most reliable termination available.

Our patented dual compression point technology guarantees long-term sealing and reduces the amount of insertion force required. The improved sealing and all-metal construction ensure connector reliability even in the most adverse environments.

### SLC-11 FEATURES:

- 1 Dual compression points
- 2 Internal center conductor guide
- 3 Higher cable center conductor holding force

MODEL #	DESCRIPTION	PLATING	TOOL CLOSURE SIZE
SLC-U11	Standard	Nickel	36.1 mm
SLCU-11Q	Quad Shield	Nickel	36.1 mm

Applicable Patents - reference: B - See page 111 for patent details

## **X-ON Electronics**

Largest Supplier of Electrical and Electronic Components

*Click to view similar products for [holland electronics](#) manufacturer:*

Other Similar products are found below :

[CA-30/550](#) [FAM-16](#) [RCA59-MCV](#) [SLC59-BNC-1](#) [SLC-1855-RCAFPU](#) [DSG-3100](#) [SLC-1855FPU](#) [FAM-8](#) [DSG-2100/DSB-21G](#) [FAM-20](#)  
[SLC-1855-BNCFPU](#) [SLCU-6-1](#) [FAM-10](#) [FAM-3](#)