



Digital Micrometer IP65

0-25mm, w/o output

Item number: 293-240-30



Description

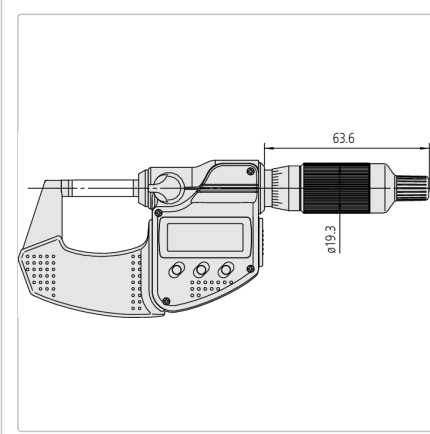
This metric micrometer offers outstanding accuracy, with and without data input, and is highly robust. The Digimatic Micrometer IP65 Metric offers the following benefits:

- Outstanding accuracy with just $\pm 1 \mu\text{m}$ instrumental error (75mm or less measuring range models).

Features

Range: 0 - 25 mm
Accuracy:
Accuracy: $\pm 1 \mu\text{m}$
Mass: 270 g
Digital step: 0,001 mm
Flatness: $0.3 \mu\text{m} / .000012''$
Parallelism: 1 μm for models up to 50 mm 2 μm for models up to 100 mm 3 μm for models up to 175 mm 4 μm for models up to 275 mm 5 μm for models over 300 mm
Measuring surfaces: carbide-tipped, precision round, micro-lap finish
Battery life: approx. 2,4 years for models up to 100 mm 1,2 years for >100mm
Delivered: Including box, key, 1 battery, setting standard (from 25 mm upward) certificate of inspection (0-50mm range)
ORIGIN (until 100 mm): Yes
ZERO/ABS: Yes
2 x PRESET (over 100 mm): Yes
Auto Power OFF after 20 min. non use: Yes
Function lock: Yes
HOLD: Yes
Inch-Metric: Metric
Functions: With ratchet stop





Dimensions




L: 0 mm
 a: 6.5 mm
 b: 25 mm
 c: 2.5 mm

Accessories

Optional accessories:

Product	Price
 Digimatic Cable with Data Button IP Type, 1m, Micrometer Type 05CZA662	Price on application
 Digimatic Cable with Data Button IP Type, 2m, Micrometer Type 05CZA663	Price on application
 U-WAVE T Connection Cable B with Data Button IP Micrometer Type 02AZD790B	Suggested retail price: 97.00 €*
 USB Input Tool Direct (Digimatic USB) with Data Button IP Micrometer Type 06AFM380B	Suggested retail price: 119.00 €*

Consumable spares:

Product	Price
 Battery SR44 1.5V 938882	Price on application

X-ON Electronics

Largest Supplier of Electrical and Electronic Components

Click to view similar products for [mitutoyo](#) manufacturer:

Other Similar products are found below :

[2109S-10](#) [530-104](#) [103-129](#) [148-201](#) [500-171-30](#) [148-104](#) [530-118](#) [293-832](#) [959150](#) [2046SB](#) [543-391B](#) [500-184-30](#) [102-301](#) [575-123](#)
[500-196-30](#) [2046S](#) [7301](#)