

Description

- Low profile SMD crystal
Resistance welded, hermetically sealed in an inert atmosphere, glass to metal seals on leads
Lead wires are mounted onto a plastic former to create a gull wing mount
- Model HC49/3HSMX
- Model Issue number 16

Frequency Parameters

- Frequency 4.0MHz
- Frequency Tolerance $\pm 30.00\text{ppm}$
- Tolerance Condition @ 25°C $\pm 2^\circ\text{C}$
- Frequency Stability $\pm 30.00\text{ppm}$
- Operating Temperature Range -40.00 to 85.00°C
- Overtone Order Fundamental
- Ageing $\pm 5\text{ppm typ per year @ } 25^\circ\text{C}$

Electrical Parameters

- Load Capacitance (CL) 18.00pF
- Shunt Capacitance (C0) 7pF max
- Drive Level 500 μW max
- ESR 130.00 Ω max

Environmental Parameters

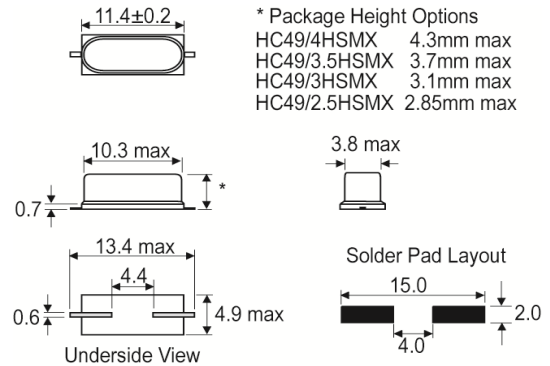
- Shock: 981m/s², 6ms, 3 times in each of 3 mutually perpendicular planes
- Vibration: 10Hz-60Hz, 0.75mm amplitude, 60Hz-500Hz, 98.1m/s², 30mins in 3 mutually perpendicular planes
- Storage Temperature Range: -55 to 125°C

Compliance

- RoHS Status (2011/65/EU) Compliant
- REACH Status Compliant
- MSL Rating (JDEC-STD-033): Not Applicable

Packaging Details

- Pack Style: Reel Tape and reel in accordance with
Pack Size: 1,000 EIA-481-D
- *Alternative packing option available*


Outline (mm)

Sales Office Contact Details:

 UK: +44 (0)1460 270200
 Germany: 0800 1808 443

 France: 0800 901 383
 USA: +1.760.318.2824

 Email: info@iqdfrequencyproducts.com
 Web: www.iqdfrequencyproducts.com

X-ON Electronics

Largest Supplier of Electrical and Electronic Components

Click to view similar products for [iqd manufacturer](#):

Other Similar products are found below :

[LFXTAL071761CUTT](#) [LFMCXO063767BULK](#) [LFMCXO063773BULK](#) [LFOCXO063802BULK](#) [LFOCXO063809BULK](#) [LF SPXO025166](#)
[LFSPXO025820BULK](#) [LFSPXO025917](#) [LFTCXO063709BULK](#) [LFTCXO063710BULK](#) [LFTCXO063779BULK](#) [LFTCXO070028Cutt](#)
[LFTVXO063701BULK](#) [LFTVXO063702BULK](#) [LFTVXO063703BULK](#) [LFTVXO063707BULK](#) [LFTVXO063791BULK](#) [LF XTAL003156](#)
[LFMCXO063766BULK](#) [LFMCXO063771BULK](#) [LFOCXO063816BULK](#) [LF SPXO009441](#) [LF SPXO018545](#) [LFSPXO019242BULK](#) [LF](#)
[SPXO025559](#) [LFTCXO063713BULK](#) [LFTCXO063714BULK](#) [LFTCXO063716BULK](#) [LFTVXO063704BULK](#) [LFTVXO063705BULK](#)
[LFTVXO063706BULK](#) [LFTVXO063789BULK](#) [LFTVXO063790BULK](#) [LFOCXO063809](#) [CFPS-73-48M](#) [LFSPXO009581](#) [LFTCXO063784](#)
[LFTVXO063786](#) [LFSPXO009686Bulk](#) [LFRBXO059244Bulk](#) [LFTVXO075802Cutt](#) [LFOCXO067293Bulk](#) [LFTCXO075792Cutt](#)
[LFMCXO064079BULK](#) [LFSPXO071189](#) [LFOCXO067293](#) [LFTCXO063780BULK](#) [LFSPXO056269CUTT](#) [LFOCXO063803BULK](#)
[LFSPXO009592CUTT](#)