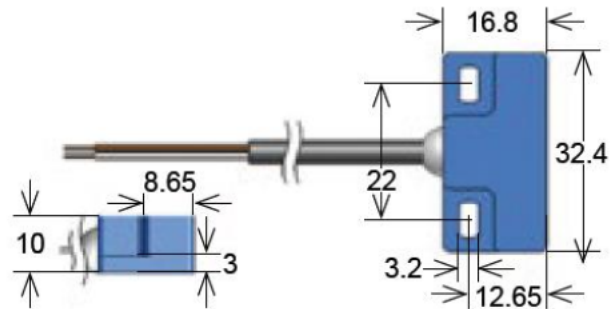


# MK02 Series Reed Sensors



- Features: Ferrous Metal Detection, Front or Above Operation, Choice of Cable Termination & Lengths
- Applications: Door & Window Control, Fire Protection Doors, Safety & Interlock Sensing & Others
- Markets: Appliance, Industrial, Security & Others

Part Description: **MK 02/0-0X00-000X**

Operation Series	Contact QTY	Contact Form	Switch Model	Cable Length (mm)	Termination
0, 1, 2, 3, 4	01	A, B, C	66, 90	200, 300, 500, 1000, 1500, 2000, 3000, 5000	w

Customer Options	Switch Model		Unit
	66	90	
<b>Contact Data</b>			
<b>Rated Power (max.)</b> <small>Any DC combination of V&amp;A not to exceed their individual max.'s</small>	10	10	W
<b>Switching Voltage (max.)</b> <small>DC or peak AC</small>	200	175	V
<b>Switching Current (max.)</b> <small>DC or peak AC</small>	0.5	0.5	A
<b>Carry Current (max.)</b> <small>DC or peak AC</small>	1.00	1.0	A
<b>Contact Resistance (max.)</b> <small>@ 0.5V &amp; 50mA</small>	150	150	mOhm
<b>Breakdown Voltage (min.)</b> <small>According to EN60255-5</small>	0.25	0.2	kVDC
<b>Operating Time (max.)</b> <small>Incl. Bounce; Measured with w/ Nominal Voltage</small>	0.7	0.7	ms
<b>Release Time (max.)</b> <small>Measured with no Coil Excitation</small>	0.05	1.5	ms
<b>Insulation Resistance (typ.)</b> <small>Rh&lt;45%, 100V Test Voltage</small>	10 <sup>10</sup>	10 <sup>9</sup>	GOhm
<b>Capacitance (typ.)</b> <small>@ 10kHz across open Switch</small>	0.3	1.5	pF

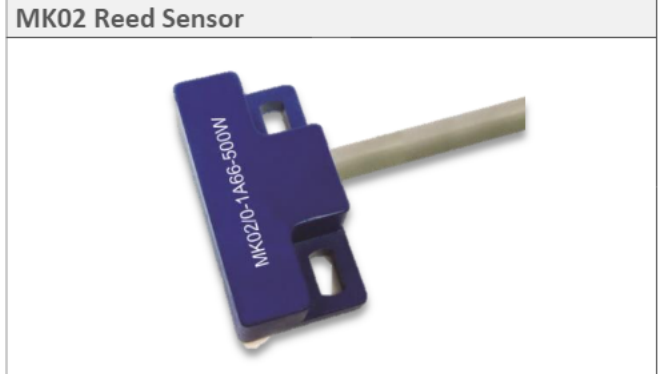
Series Datasheet – MK02 Reed Sensors

[www.standexmeder.com](http://www.standexmeder.com)

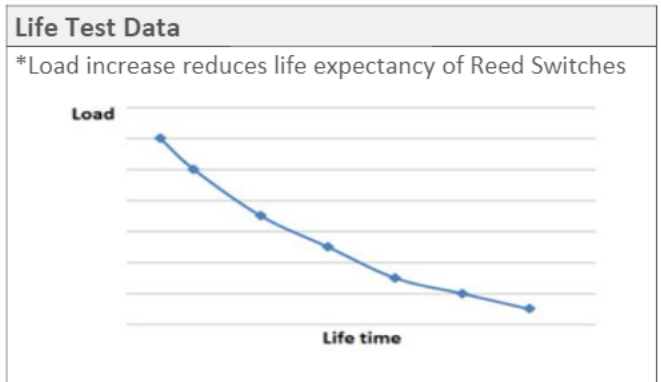
Housing and Cable Specifications	
Housing Material	PBT Glass Fibre Reinforced
Case Color	Blue
Sealing Compound	Polyurethan
Cable Typ	Round Cable
Cable Material	PVC
Cross Section (mm <sup>2</sup> )	4 x 0.14 / 2 x 0.25

Environmental Data		Unit
Shock Resistance (max.) 1/2 sine wave duration 11ms	50	g
Vibration Resistance (max.)	20	g
Operating Temperature Cable not moved	-5 to 80	°C
Operating Temperature Cable moved	-30 to 80	°C
Storage Temperature	-30 to 80	°C

Glossary Contact Form		
Form A	NO = Normally Open Contacts SPST = Single Pole Single Throw	
Form B	NC = Normally Closed Contacts SPST = Single Pole Single Throw	
Form C	Changeover SPDT = Single Pole Double Throw	



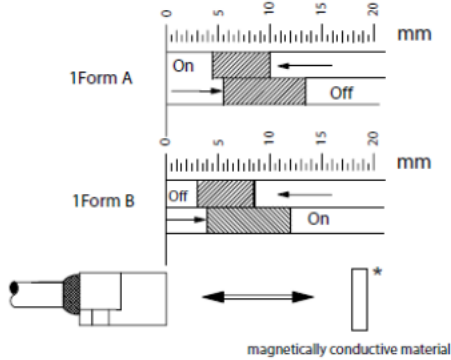
- ### Handing & Assembly Instructions
- Max torque of screw is 1Nm
  - Cable bending-radius is diameter x 15
  - Min. bending distance to housing is 5mm
  - Drag mark out of the mounting area forbidden
  - Decrease switching distance by mounting on iron
  - Do not use magnetically inductive screws
  - Series resistor recommended for > 5m cable length



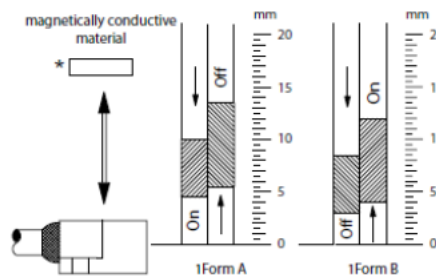
Operation Series – Screw Flange Mount

For best operation it is recommended that you DO NOT mount these sensors on any ferromagnetic material OR use any ferromagnetic screws.

**MK02/0** Operation from the Front  
**MK02/2**

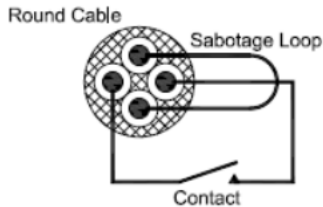


**MK02/1** Operation from above  
**MK02/3**



\* Dimension (mm): 3 x 12 x 32

The standard cable is a 4-wire round - core 4 x 0.14 mm<sup>2</sup> (cable sheath and wires are white) forming a sabotage loop. See example of this loop to the right.



Sabotage loop for  
MK02/2, MK02/3

## X-ON Electronics

Largest Supplier of Electrical and Electronic Components

*Click to view similar products for [standexmeder](#) manufacturer:*

Other Similar products are found below :

[MK18-B-500W](#) [DIP05-1A72-12L](#) [CRF05-1AS](#) [HE06-1B83-150](#) [HE24-1A83](#) [MK02/0-1A66-1000W](#) [SHV12-1A85-78L3K](#) [KT12-1A-BV88589](#) [SIL05-1A72-71QHR](#) [NDFEB 8X15MM](#) [BE12-2A85-BV420](#) [MK04-1A66B-500W](#) [DIP05-1A72-13L](#) [HM24-1A69-20-6](#) [HM12-1A83-06-UL](#) [H12-1B83](#) [KT12-1A-40L-THT](#) [SIL05-1A31-71L](#) [MK06-4-C](#) [LI05-1A85](#) [NDFEB 10X5X1.9MM](#) [LS01-1A66-PP-500W](#) [M11/M8](#) [LS02-1A66-PP-500W](#) [HM24-1A69-300](#) [LS02-1A66-PA-500W](#) [KT05-1A-40L-THT](#) [MK21M-1A66C-500W](#) [DIP24-1C90-51D](#) [SIL24-1A72-71D](#) [SIL24-1A75-71L](#) [DIP12-1A72-12L](#) [ORD211-1015](#) [DIP12-2A72-21L](#) [H24-1A83](#) [MK17-C-3](#) [SHV12-1A85-78L4K](#) [ALNICO500; 10X40MM](#) [HE24-1A83-02](#) [MS05-1A87-75DHR](#) [DIL05-2C90-63L](#) [DIP24-1A72-12L](#) [HM24-1A69-06](#) [DIP24-1A31-16D](#) [HE06-1A16](#) [MK03-1A66E-500W](#) [LS01-1A66-PA-500W](#) [ORD228VL-2030](#) [DIP05-1C90-51L](#) [ALNICO500 5X22MM](#)