

PREMIER^{SERIES}

WIRELESS
MICROPHONE
SYSTEM



UHF
PLL

————— LED —————

PDWM1902 PDWM3375
PDWM1904 PDWM3400



www.pyleaudio.com

www.pyleaudio.com

CATALOG

1. FOREWORD.....	2
2. SYSTEM FEATURES.....	2
3. SYSTEM TYPE.....	2
4. SINGLE CHANNEL RECEIVER FEATURES.....	3
5. DUAL CHANNEL RECEIVER FEATURES.....	4
6. HAND-HELD TRANSMITTER FUNCTION & FEATURES.....	5
7. BODY-PACK TRANSMITTER FUNCTION & FEATURES.....	5
8. SYSTEM CONNECTION.....	6
9. TRANSMITTER CONNECTION.....	7
10. RECEIVER OPERATING INSTRUCTION.....	8
11. TRANSMITTER OPERATING INSTRUCTION.....	8
12. SPECIFICATION.....	9

SYSTEM COMPOSITION

1. Receiver.....	X1
2. Wireless hand-held or body-pack microphone.....	X1/X2
3. Audio Cable.....	X1
4. AC power adapter of special receiver.....	X1
5. Battery 1.5V.....	X2/X4
6. User guide.....	X1

Thank you for purchasing the Premier Series Wireless Microphone System. Please read the instructions carefully to ensure proper use and operation of the product. Also, keep the instructions for future reference.

This professional wireless microphone system uses a super steady PPL-synthesized control technic and operates on high-efficiency, low-consumption discharging techniques. Performance features include independent developed mobile frequency compression, expander circuitry, image frequency limiting circuits, a multiple checked silent and noise-free circuits, antenna diversity receiving circuit & switch impact noise defeat circuits. Resist reverberation circuit and changed output control. Passes Q.C. code standards.

FOREWORD

Your new series of wireless system is designed to give you the best of both sound reinforcement worlds: the freedom of wireless system, and the excellent quality. This manual covers each of the series system: The Vocal Artist-UHF, The Presenter-UFH, The Headset-UHF.

SYSTEM FEATURE

1. PLL-Synthesized control technic, 8selectable UHF channels.
2. The UHF frequency range is 673-697.975MHz, avoiding the frequency interruption.
3. LED information display.
4. Double noise squelch operation circuit and system will be higher efficient and much more steady.
5. Use the dynamic type and Uni-directional cartridge, clear to show the sound.
6. High efficient and low consumption design.
7. Use the high extension antennas, the operating distance will reach 50m.

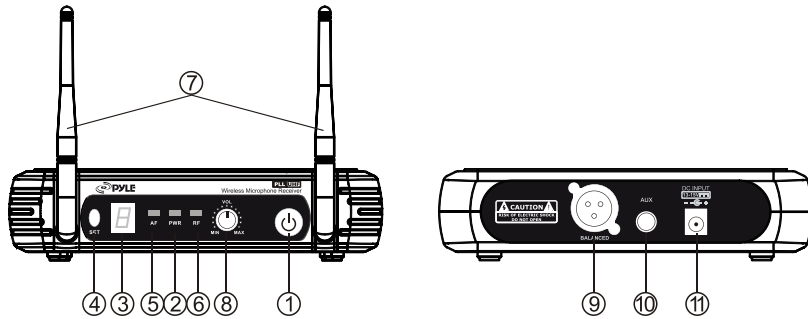
SYSTEM TYPE

The Vocal Artist-UHF is a hand-held system designed for singers who desire the high quality microphones and the freedom of wireless performance.

The Presenter-UHF is a body-pack system designed for public speakers who prefer an inconspicuous, hands-free lavalier microphone.

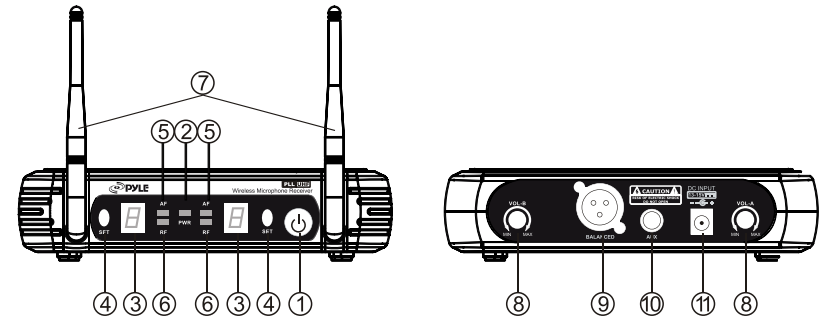
The Headset-UHF is a body-pack system designed for users in physically active applications, who desire the freedom of hand-free microphone.

SINGLE CHANNEL RECEIVER FEATURES



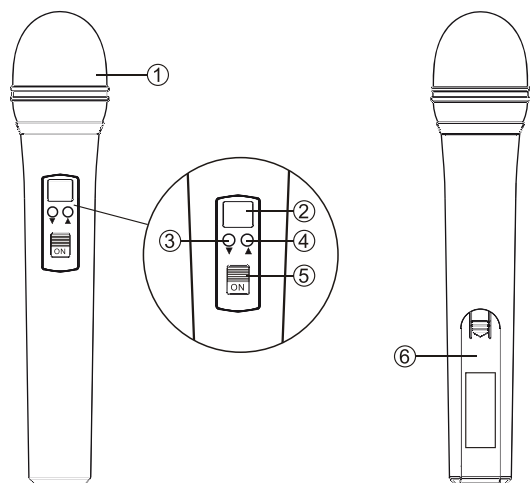
1. Power Button: Power ON/OFF the receiver.
2. Power Indicator: Indicate the power ON/OFF.
3. Channel Display: Indicates the frequency data of the selected channel group.
4. SET Function Button: Sets channel data.
5. "AF" Audio Level Indicator: Indicate the wireless system audio signal level.
6. "RF" signal Indicator: It glows when the Receiver receive RF signal from Transmitter.
7. Antenna.
8. Volume Knob: Adjust the volume output of receiver.
9. XLR Balanced Output Jack: Connect the audio cable from this jack to the input port of amplifier, mixer.
10. 1/4" Audio Output Jack: Connect the audio cable from this jack to the input port of amplifier, mixer.
11. Power Jack: Connect the AC/DC adapter to receiver.

DUAL CHANNEL RECEIVER FEATURES

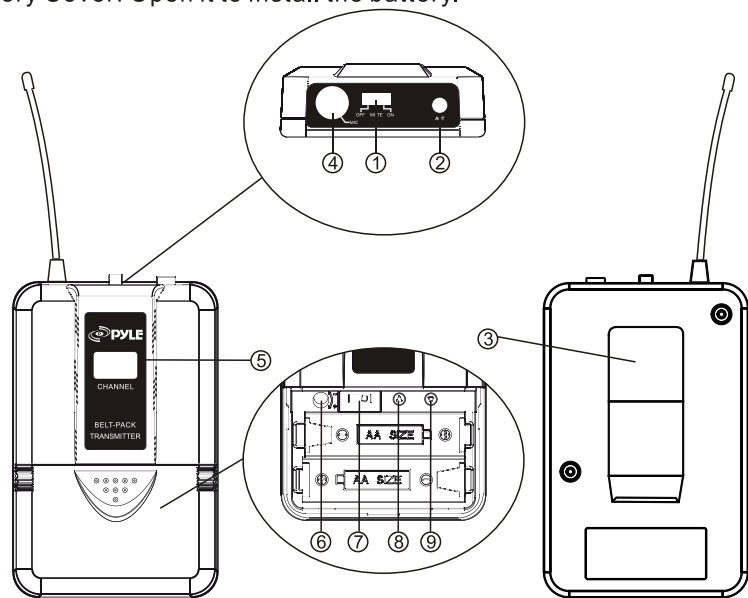


1. Power Button: Power ON/OFF the receiver.
2. Power Indicator: Indicate the power ON/OFF.
3. Channel Display: Indicates the frequency data of the selected channel group.
4. SET Function Button: Sets channel data.
5. "AF" Audio Level Indicator: Indicate the wireless system audio signal level.
6. "RF" signal Indicator: It glows when the Receiver receive RF signal from Transmitter.
7. Antenna.
8. Volume Knob: Adjust the volume output of receiver.
9. XLR Balanced Output Jack: Connect the audio cable from this jack to the input port of amplifier, mixer.
10. 1/4" Audio Output Jack: Connect the audio cable from this jack to the input port of amplifier, mixer.
11. Power Jack: Connect the AC/DC adapter to receiver.

TRANSMITTER FUNCTION & FEATURES



1. Grille: Protects the cartridge and help reducing the breath sounds and wind noise.
2. Channel Display: Indicates the frequency data of the selected channel group.
3. Down Function Button: Sets channel data.
4. Up Function Button: Sets channel data.
5. Power and Audio Mute Switch.
6. Battery Cover: Open it to install the battery.



5

1. Power and Audio Mute Switch.
2. Antenna: Transmit the RF signal of transmitter.
3. Belt Clip: Attach the transmitter to the belt.
4. Audio Input Jack: it is suitable for lavalier system/headset system.
5. Channel Display: Indicates the frequency data of the selected channel group.
6. Gain Adjusting Volume: Adjust the transmitter audio input gain.
7. State Setting Switch: Set the using state of lavalier system(L)/headset system(H).
8. Up Function Button: Sets channel data.
9. Down Function Button: Sets channel data.

SYSTEM CONNECTIONS

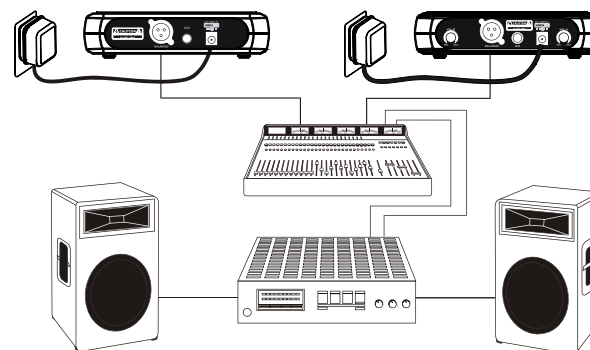
1. Receiver Power Connection: Connect the AC adapter into the DC power connector on the back of the receiver. Plug the AC adapter into a AC 120V/220V 50Hz outlet.



2. Antenna: Keep the position of antenna at a 45° angle from vertical, (Shown as below)



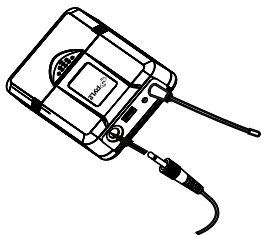
3. Audio Connection: Connect the audio cable from the audio output on the receiver to the input on your amplifier equipment.



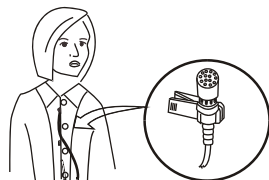
6

BODYPACK TRANSMITTER CONNECTION

1. Lavalier Microphone Connection: Connect the connector of supplied Lavalier microphone to the connecting jack of transmitter (Shown as below) Set the transmitter work state in wireless lavalier system.

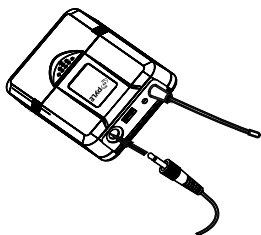


(a)



(b)

2. Headset Microphone Connection: Connect the connector of supplied Headset microphone to the connecting jack of transmitter (Shown as below) Set the transmitter work state in wireless headset system.



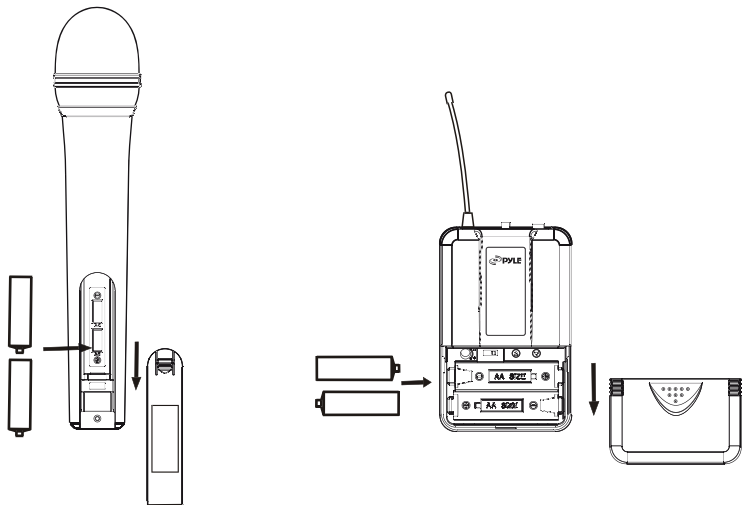
(a)



(b)

TRANSMITTER BATTERY INSTALLATION

1. Battery Installation of Transmitter: Push open the battery cover, Insert the supplied batteries into battery jar in polarity and cover the battery Cover.



TROUBLESHOOTING

PROBLEM	INDICATOR STATUS	SOLUTION
No sound.	Red transmitter indicator is not flash	Slide transmitter POWER ON/OFF switch to ON position. Make sure battery is inserted properly, observing battery (+/-). If battery is inserted properly, replace with fresh battery
No sound.	Red transmitter indicator is flash	Slide transmitter MUTE/ON switch to ON position
No sound.	Red receiver POWER light off.	Make sure ac adapter is securely plugged into electrical outlet and into dc input connector. Make sure ac electrical outlet works and supplies proper voltage.
No sound.	Receiver signal Indicators A/B lights glowing.	Turn up receiver volume control. Confirm that the output connections from the receiver to the external equipment are secure
No sound.	Receiver signal Indicators A/B lights off. Transmitter and receiver POWER lights glowing	Confirm transmitter's and receiver's frequencies match. Move transmitter closer to receiver
Sound level differs from level of a cabled instrument.	Receiver signal Indicators A/B lights glowing.	Adjust transmitter gain level to compensary. Adjust receiver volume as necessary.
Sound level differs with different guitars.	Receiver signal Indicators A/B lights glowing.	Readjust transmitter gain level to compensate for differences in guitar outputs
Distortion level increases gradually	Receiver Signal Indicators A/B lights and transmitter LOW BATTERY light glowing	Replace transmitter battery
Bursts of noise or other audibleradio signals present.	Signal Indicators A/B lights on	Identify potential sources of interference (other RF-sources) and turn off, remove or use a wireless system operating on a different frequency.
Momentary loss of sound as transmitter is moved around performing area.	Receiver signal Indicators A/B lights off when sound is lost	Reposition receiver and perform walk-through test again. If audio dropouts persist, mark "dead" spots and avoid them during performance

SYSTEM SPECIFICATIONS

RF Carrier Frequency Range: Approximately 673 to 697.975 MHz (Available frequencies depend on applicable regulations in country where system is used).
 Operating Range: 50 m (approximately 164 ft) under typical conditions
 Audio Frequency Response: 100 to 18,000 Hz, ±3 dB
 THD: <1%
 Mobile stste Range: > 100 dB

Operating Temperature Range

-29° to 74 °C (-20° to 165°F) NOTE: Battery characteristics may limit this range.

PDWM1902

Premier Series Professional UHF Wireless Handheld Microphone System with Selectable Frequencies

LED Power Indicator & Channel Display

Operation Range: Up to 164 ft.

Audio Level Indicator for wireless system audio signal level

Includes one handheld wireless dynamic microphone

RF Signal Indicator for transmitter signal strength

UHF Signal for wider range and less obstruction

SET function for channel selection

8 separate channels to choose from

Adjustable volume control

1/4" audio output jack

XLR balanced output jack

AC/DC adapter power jack

Power Supply: 110/220V

Receiver Specifications

RF Frequency Range: 673-697.975 MHz

Image & Spurious Rejection: >70 dB

Receiving Sensitivity: -105 dB

Signal / Noise Ratio: -105dB

Border Upon Channel Rejection: > 70 dB

T.H.D.: < 1%

Audio Output Level: 0-300 mV

Power Requirements: 13-15V DC nominal 300 mA

Dimensions 6.8 x 5.3 x 1.7 in

Handheld Transmitter Specifications

Displays channel and selection data

RF Frequency Range: 673-697.975 MHz

RF Output: >10 dBm

Modulation Type: FM

Max Deviation: \pm 40 KHz

Spurious Emission: > 55 dBc

Nominal Current Drain: < 40mA

Power Requirements: 2 x 1.5V AA

Dimensions: 9.25 x 1.9 x 1.9 in

The Pyle **PREMIER** Series Wireless Microphone System will provide you with the performance you've been looking for. Whether used for work or play, this cordless microphone system is easy to setup, easy to use, and best of all, will give you an amazing high-quality audio experience. Choose from 8 different channels to transmit over. Enjoy hassle-free and reliable wireless sound transmission with today's latest system technology with this all-in-one package. Excellent sound production for vocals or speech and perfect for just about any event on stage, in the office or even at home. Comes with everything you need to perform. No matter what you use it for, the Pyle **PREMIER** Series Wireless Microphone System will take your sound and style to the next level.

PDWM1904

Premier Series Professional UHF Microphone System with Body-Pack Transmitters, Headset & Lavalier Microphones with Selectable Frequencies

LED Power Indicator & Channel Display

Operation Range: Up to 164 ft.

Audio Level Indicator for wireless system audio signal level

Includes one handheld wireless dynamic microphone

RF Signal Indicator for transmitter signal strength

UHF Signal for wider range and less obstruction

SET function for channel selection

8 separate channels to choose from

Adjustable volume control

1/4" audio output jack

XLR balanced output jack

AC/DC adapter power jack

Power Supply: 110/220V

Receiver Specifications

RF Frequency Range: 673-697.975 MHz

Image & Spurious Rejection: >70 dB

Receiving Sensitivity: -105 dB

Signal / Noise Ratio: -105dB

Border Upon Channel Rejection: > 70 dB

T.H.D.: < 1%

Audio Output Level: 0-300 mV

Power Requirements: 13-15V DC nominal 300 mA

Dimensions 6.8 x 5.3 x 1.7 in

Body-Pack Transmitter Specifications

Includes wireless body-pack transmitters, headsets & lavaliers

RF Frequency Range: 673-697.975 MHz

RF Output: >10 dBm

Modulation Type: FM

Max Deviation: \pm 40 KHz

Spurious Emission: > 55 dBc

Nominal Current Drain: < 40mA

Power Requirements: 2 x 1.5V AA

Dimensions: 9.25 x 1.9 x 1.9 in

The Pyle **PREMIER** Series Wireless Microphone System will provide you with the performance you've been looking for. Whether used for work or play, this cordless microphone system is easy to setup, easy to use, and best of all, will give you an amazing high-quality audio experience. Choose from 8 different channels to transmit over. Enjoy hassle-free and reliable wireless sound transmission with today's latest system technology with this all-in-one package. Excellent sound production for vocals or speech and perfect for just about any event on stage, in the office or even at home. Comes with everything you need to perform. No matter what you use it for, the Pyle **PREMIER** Series Wireless Microphone System will take your sound and style to the next level.

PDWM3375

Premier Series Professional 2-Channel UHF Wireless Handheld Microphone System with Selectable Frequencies

LED Power Indicator & Channel Display
Operation Range: Up to 164 ft.
Audio Level Indicator for wireless system audio signal level
RF Signal Indicator for transmitter signal strength
Independent & adjustable channel volume controls
UHF Signal for wider range and less obstruction
Up to eight separate channels to choose from
1/4" audio output jack
XLR balanced output jack
AC/DC adapter power jack
Power Supply: 110/220V

Receiver Specifications

RF Frequency Range: 673-697.975 MHz
Image & Spurious Rejection: >70 dB
Receiving Sensitivity: -105 dB
Signal / Noise Ratio: -105dB
Border Upon Channel Rejection: > 70 dB
T.H.D.: < 1%
Audio Output Level: 0-300 mV
Power Requirements: 13-15V DC nominal 500 mA+
Dimensions 6.8 x 5.3 x 1.7 in

Handheld Transmitter Specifications

Includes (2) wireless Dynamic microphones
RF Frequency Range: 673-697.975 MHz
RF Output: >10 dBm
Modulation Type: FM
Max Deviation: \pm 40 KHz
Spurious Emission: > 55 dBc
Nominal Current Drain: < 40mA
Power Requirements: 2 x 1.5V AA
Dimensions: 9.25 x 1.9 x 1.9 in

The Pyle **PREMIER** Series 2-Channel Wireless Microphone System will provide you with the performance you've been looking for. Whether used for work or play, this dual cordless microphone system is easy to setup, easy to use, and best of all, will give you an amazing high-quality audio experience. Choose from 8 different channels to transmit over. Enjoy hassle-free and reliable wireless sound transmission with today's latest system technology with this all-in-one package. Excellent sound production for vocals or speech and perfect for just about any event on stage, in the office or even at home. Comes with everything you need to perform including 2 wireless handheld transmitter microphones. No matter what you use it for, the Pyle **PREMIER** Series 2-Channel Wireless Microphone System will take your sound and style to the next level.

PDWM3400

Premier Series Professional UHF Microphone System with (2) Body-Pack Transmitters, (2) Headset & (2) Lavalier Microphones with Selectable Frequencies

LED Power Indicator & Channel Display
Operation Range: Up to 164 ft.
Audio Level Indicator for wireless system audio signal level
Includes two handheld wireless dynamic microphones
Independent & adjustable channel volume controls
RF Signal Indicator for transmitter signal strength
UHF Signal for wider range and less obstruction
Up to eight separate channels to choose from
1/4" audio output jack
XLR balanced output jack
AC/DC adapter power jack
Power Supply: 110/220V

Receiver Specifications

RF Frequency Range: 673-697.975 MHz
Image & Spurious Rejection: >70 dB
Receiving Sensitivity: -105 dB
Signal / Noise Ratio: -105dB
Border Upon Channel Rejection: > 70 dB
T.H.D.: < 1%
Audio Output Level: 0-300 mV
Power Requirements: 13-15V DC nominal 500 mA+
Dimensions 6.8 x 5.3 x 1.7 in

Body-Pack Transmitter Specifications

Includes (2) wireless body-pack transmitters, headsets & lavaliers
RF Frequency Range: 673-697.975 MHz
RF Output: >10 dBm
Modulation Type: FM
Max Deviation: \pm 40 KHz
Spurious Emission: > 55 dBc
Nominal Current Drain: < 40mA
Power Requirements: 2 x 1.5V AA
Dimensions: 9.25 x 1.9 x 1.9 in

The Pyle **PREMIER** Series Wireless Microphone System will provide you with the performance you've been looking for. System comes with 2 body-pack transmitters, 2 headset & 2 lavalier microphones. Whether used for work or play, this microphone system is easy to setup, easy to use, and best of all, will give you an amazing high-quality audio experience. Choose from 8 different channels to transmit over. Enjoy hassle-free and reliable wireless sound transmission with today's latest system technology with this all-in-one package. Excellent sound production for vocals or speech and perfect for just about any event on stage, in the office or even at home. Comes with everything you need to perform. No matter what you use it for, the Pyle **PREMIER** Series Wireless Microphone System will take your sound and style to the next level.

X-ON Electronics

Largest Supplier of Electrical and Electronic Components

Click to view similar products for [pyle manufacturer](#):

Other Similar products are found below :

[PDS442](#) [PSPVC6](#) [PDWM4300](#) [PDWM4400](#) [PDMW6](#) [PDBT28](#) [PDJSD2](#) [PLRSTND10](#) [PLG3.2](#) [PSCRIM2B](#) [PSCRIM2W](#) [PDWM2115](#)
[PDWM1904](#) [PSTND1](#) [PPA15](#) [PPA10](#) [PDS341](#) [PDS122](#) [PDMW5](#) [PLAM40](#) [PFN41](#) [PCT40](#) [PPA6](#) [PDMR6](#) [PPA8](#) [PDS221](#)