

## THE MAX LINE. PERFORMANCE ON DEMAND

For the install where only a small enclosure will do, LANZAR ST'S MAX line of woofers offer the perfect solution.

Optimized for small sealed enclosures, MAX delivers exceptional sound quality and high power handling in one elegant woofer. Styling cues from the embossed dustcap with bronze printing, to the large but tasteful molded magnet boot, insist that you will have a great sounding, as well as looking install. The extra wide surround supports a long excursion while the double stacked magnet helps deliver great bass sound. Together with the dual voice coil unit, MAX series to be the ultimate choice for a variety of uses and needs.

From application specific installs to great small car installs, MAX sure is the ideal woofer to suit all of your needs.

### ABOUT THIS BOOKLET

In this booklet, you could find the SPECIFICATIONS and TEMPLATE of the woofer.

With this information, you could achieve the best performance of woofer conveniently.

Below is the meaning of the rating abbreviations.

**Fs** : "Free Air Resonance", this value is the lowest audible frequency (in Hz) of the woofer.

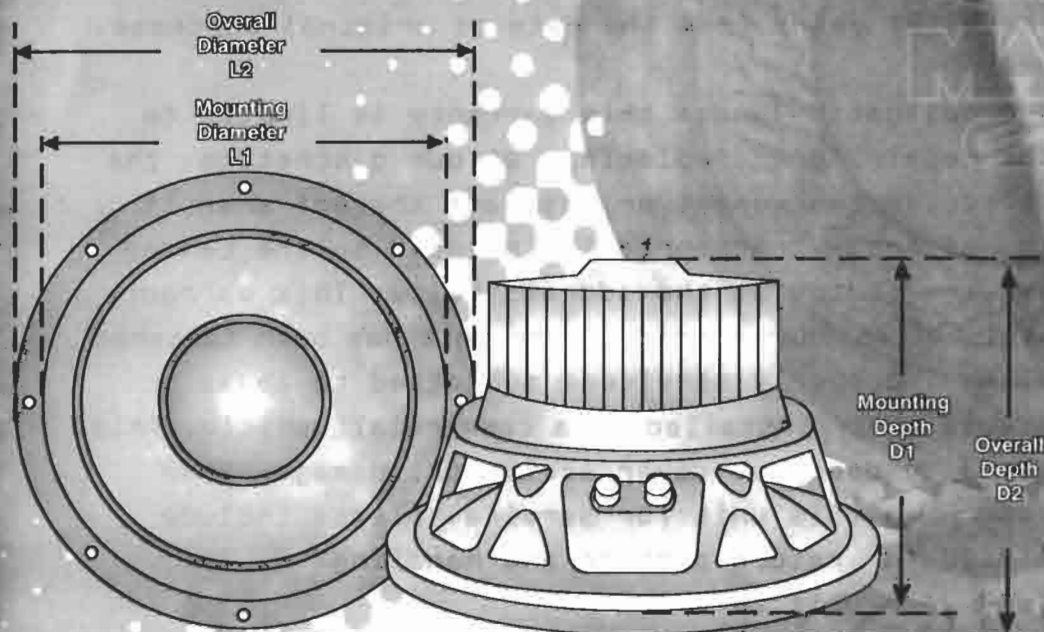
**Q** : This value describes the degree of control ("damping") which the speaker exhibits. Speaker damping is due to both MECHANICAL characteristics ( $Q_{ms}$ ) and ELECTRICAL characteristics ( $Q_{es}$ ). A speaker's TOTAL DAMPLING VALUE is referring as  $Q_{ts}$ .

**SPL** : This value means the sensitivity of the speaker.

**VAS** : This value describes (in cubic feet) the maximum amount of air which is displaced by the speaker cone in a single excursion.

## BASIC FEATURES

- Black non-pressed paper cone
- Wide non-fatiguing rubber suspension
- Stamped steel basket with golden input terminal
- Bumped & vented motor structure
- Special designed rubber magnet boot
- High temperature kapton voice coil
- Heavy double stacked magnet structure



Specification	MAX8	MAX10	MAX10D	MAX12	MAX12D	MAX15D
Power (Watts Peak)	600	800	800	1000	1000	1200
Nom. Impedance (Ohm)	4	4	Dual 4	4	Dual 4	Dual 4
SPL (dB)	87.7	88.8	85.2	91.9	90.0	90.3
Fs (Hz)	42.9	28.3	26.4	35.1	33.6	33.6
Qts	0.39	0.26	0.49	0.36	0.47	0.60
Vas (cuft)	0.7133	2.1435	1.7904	3.4607	3.1994	4.4261
Voice Coil Diameter	1.5" KSV	2" KSV	2" KSV	2" KSV	2" KSV	2.5" KSV
Voice Coil Layer	4	4	Dual	4	Dual	Dual
Magnet Structure	50 + 50	65 + 65	65 + 65	65 + 65	65 + 65	70 + 70
Mounting Depth, D1	4.96"	6.42"	6.42"	6.73"	6.73"	8.11"
Overall Depth, D2	5.22"	7.28"	7.28"	7.64"	7.64"	9.13"
Mounting Diameter, L1	7.05"	9.13"	9.13"	10.83"	10.83"	13.70"
Overall Diameter, L2	8.23"	10.24"	10.24"	12.13"	12.13"	15.16"

LANZAR continually strives to improve the performance and value of its products - all specifications are subject to change.

## **X-ON Electronics**

Largest Supplier of Electrical and Electronic Components

*Click to view similar products for [lanzar](#) manufacturer:*

Other Similar products are found below :

[LANZAR](#)