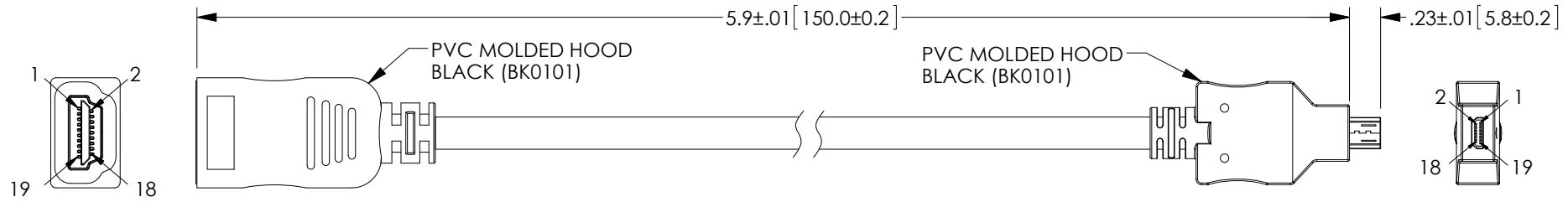


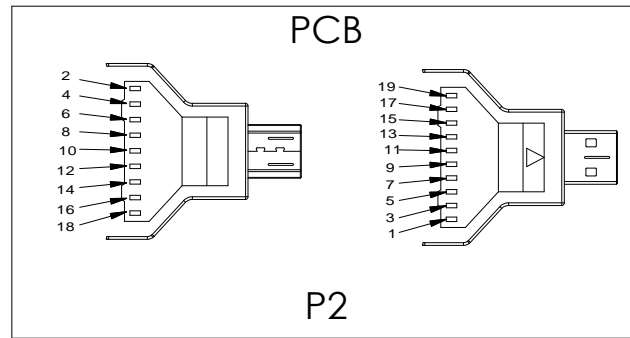
THE INFORMATION CONTAINED IN THIS DRAWING IS THE SOLE PROPERTY OF L-COM, INC. ANY REPRODUCTION IN PART OR WHOLE WITHOUT THE WRITTEN PERMISSION OF L-COM, INC. IS PROHIBITED.

REVISIONS			
REV	DESCRIPTION	DATE	APPROVED
A	INITIAL RELEASE	04/28/17	J.LABOY
B	ECN 8743: CHANGE PACKAGING SPEC FROM PKG-00012 TO PS-0031	05/01/17	J.LABOY



PIN OUT

P1	P2	P3	SIGNAL NAME
1	1	3	TMDS Data2+
3	3	5	TMDS Data2-
2	2	4	TMDS Data2 SHIELD
4	4	6	TMDS Data1+
6	6	8	TMDS Data1-
5	5	7	TMDS Data1 SHIELD
7	7	9	TMDS Data0+
9	9	11	TMDS Data0-
8	8	10	TMDS Data0 SHIELD
10	10	12	TMDS CLOCK+
12	12	14	TMDS CLOCK-
11	11	13	TMDS CLOCK- SHIELD
13	13	15	CEC
14	14	2	UTILITY
19	19	1	HOT PLUG DETECT
17	17	16	DDC/CED GROUND
15	15	17	SCL
16	16	18	SDA
18	18	19	+5V POWER
SHELL		SHELL	DRAIN



NOTES:

- CABLE: [(30AWG*7/0.10mm*1P+DAM) *5+30AWG*4C]+ADB
PVC OUTERJACKET (BK0101): V1.4 OD: 6.0± 0.20mm
HIGH SPEED HDMI CABLE W/ ETHERNET, UL LIST
- CONNECTORS:
HDMI A/F, CONTACT:3U" GOLD PLT, SHELL 1U" GOLD PLT, INSULATION: BLACK
HDMI D/M, CONTACT:3U" GOLD PLT, SHELL 1U" GOLD PLT, INSULATION: BLACK
- ELECTRICAL TEST:
(1)- 100% OPEN SHORT & MISS WIRE TEST
(2)- INSULATION: DC 300V/0.01s 10M OHM MIN.
(3)- CONDUCTOR RESISTANCE: 2 OHM

PACKAGING:

COMPONENT SHALL BE PACKAGED IN ACCORDANCE WITH L-COM SPEC PS-0031

REGULATORY COMPLIANCE:
CE 2011/65/EU(RoHS DIRECTIVE)

UNLESS OTHERWISE SPECIFIED, DIMENSIONS ARE IN INCHES [mm] OVERALL CABLE LENGTH TOLERANCE: ≤12 [305] = +1 [25] / -0 >12 [305] ≤60 [1524] = +2 [51] / -0 >60 [1524] ≤120 [3048] = +4 [102] / -0 >120 [3048] ≤300 [7620] = +6 [152] / -0 >300 [7620] = +5% / -0% ALL OTHER DIMENSIONAL TOLERANCES: .X = ± .2 [5.08] .XX = ± .02 [51] .XXX = ±.005 [1.3]	APPROVALS DRAWN BY B.PUCHASKI	DATE 04/19/17	50 HIGH STREET NORTH ANDOVER, MA 01845		
	CHECKED BY B.ZHANG	DATE 04/27/17		CATEGORY AUDIO/VIDEO	
	APPROVED BY B.GATES	DATE 04/21/17		PRODUCT DESCRIPTION HDMI A FEMALE TO D MALE	
	CONFIGURATION DETAILS OF UNDIMENSIONED FEATURES MAY VARY	COLOR VARIATIONS MAY OCCUR		SIZE A	FSCM NO. 43321
PROJECTION 	SCALE: NONE		CAD FILE: HDAFDM.SLDDRW	SHEET 1 OF 1	

D
C
B
A

D
C
B
A

X-ON Electronics

Largest Supplier of Electrical and Electronic Components

Click to view similar products for [l-com](#) manufacturer:

Other Similar products are found below :

[FOA-550A](#) [UMC-201](#) [CSMN50MF-5](#) [CSMNB15MF-15](#) [TRD815RA2BL-5](#) [CA3A-90DA-1M](#) [CTLF3VGAMM-20](#) [HDCAMM-3](#)
[U3A00007-05M](#) [U3A00014-03M](#) [CSMT15MF-10](#) [CSMT15MM-15](#) [CSMT15MM-25](#) [CSPL15MF-50](#) [CSPL25MF-25](#) [CSPL9MF-10](#)
[CSPL9MF-5](#) [CSPL25MF-5](#) [CSPL25MF-2.5](#) [AL-IPEPS](#) [NB201611-10F-1](#) [TDG1026KC5-MNL](#) [NB121005-10F](#) [TRD855SRA6DBL-10M](#)
[TRD855SRA7DBL-1M](#) [TRD855SRA7DBL-10M](#) [U2A00017-05M](#) [PR175SCDLCQ24](#) [TRG508-T4T-3M](#) [TRA5261-15F](#) [TRA5261S-1F](#)
[TRA6261-1F](#) [USBBFT](#) [DGB25M](#) [HG2403RD-RSF](#) [CASATAL-18](#) [CSM25MM-10](#) [CSM37MF-10](#) [CSUSB-100](#) [CA3A-90RA-1M](#) [CA3A-](#)
[90MICB-1M](#) [U2A00003-3M](#) [U3A00003-05M](#) [U2A00008-12I](#) [U3A00007-075M](#) [U3A00007-1M](#) [HGV-903U](#) [CSMT15MF-5](#)
[CSMT15MM-50](#) [CSPL15MF-25](#)