

# Data sheet

## BMT-DO4

### BACnet module with digital outputs

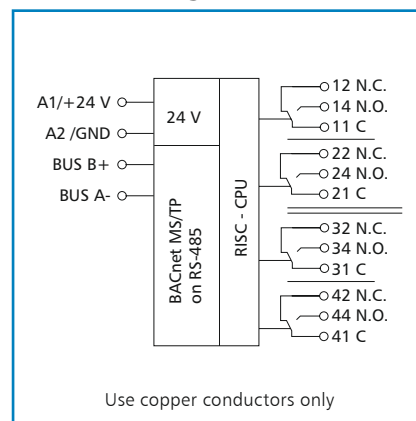
Part number  
1108861321

2016-07-18

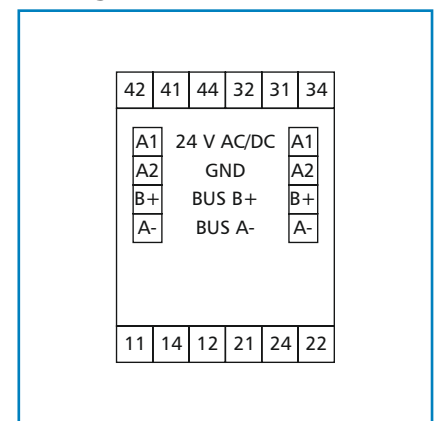
#### Illustrations



#### Principle diagram



#### Wiring



#### Product description

The BACnet MS/TP module with 4 digital outputs was developed for decentralized switching tasks.

It is suitable for switching electrical components, such as motors, contactors, lamps, louvers, etc.

With strong inductive loads, we recommend protecting the relay contacts additionally with an RC element.

The module is provided with a manual control for manually switching the relays.

The outputs can be switched by means of standard objects via a BACnet client. The module is addressed and the bitrate is set by means of two address switches on the front.

Suitable for decentralized mounting on DIN TH35 rail according to IEC 60715 in electrical distribution cabinets.

**Data sheet**  
**BMT-DO4**  
**BACnet module with digital outputs**

Page 2/4  
**Part number**  
**1108861321**  
 2016-07-18

## Technical data

<b>Approvals</b>		
C-UL Certification	Open Energy Management Equipment 34TZ	
<b>BACnet interface</b>		
Protocol	BACnet MS/TP	
Address range	00 to F9	
Transmission rate	9600 to 115200 Bit/s, factory setting 9600 Bit/s	
Cabling	RS485 two wire bus with potential equalization in bus or line topology terminate with 120 Ohm	
<b>Supply</b>		
Operating voltage	24 V AC/DC $\pm$ 10 % (SELV)	
Current consumption	200 mA (AC) / 70 mA (DC)	
Relative duty cycle	100 %	
<b>Outputs</b>		
Digital outputs	4	
Output contact	4x changeover contact	
Switching voltage max.	250 V AC	
Continuous current	5 A per relay	
Total current over all contacts	12 A	
Permissible switching frequency	360 switching cycles per hour	
<b>General informations</b>		
Rated insulation voltage	230/400 V AC	
Overvoltage category	III	II
Pollution degree	2	2
Rated surge voltage	4 kV	2.5 kV
Type of insulation	basic insulation	reinforced insulation

**Data sheet**  
**BMT-DO4**  
**BACnet module with digital outputs**

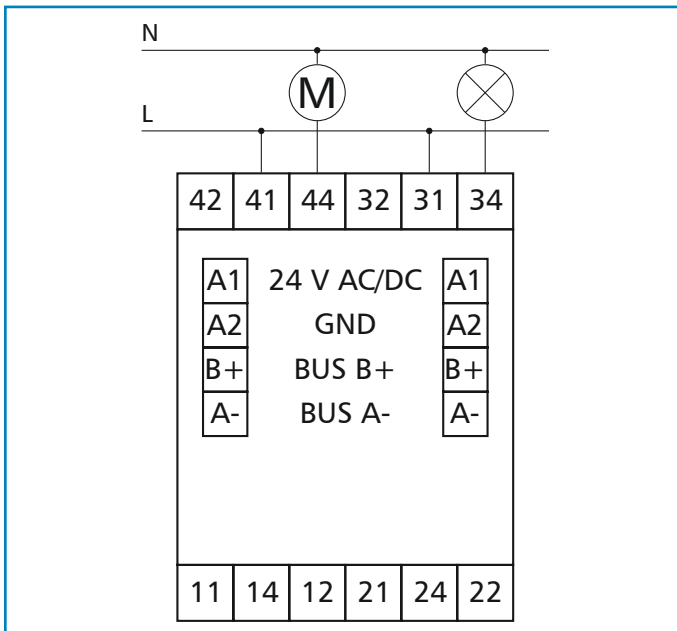
Page 3/4  
**Part number**  
**1108861321**  
 2016-07-18

## Technical data

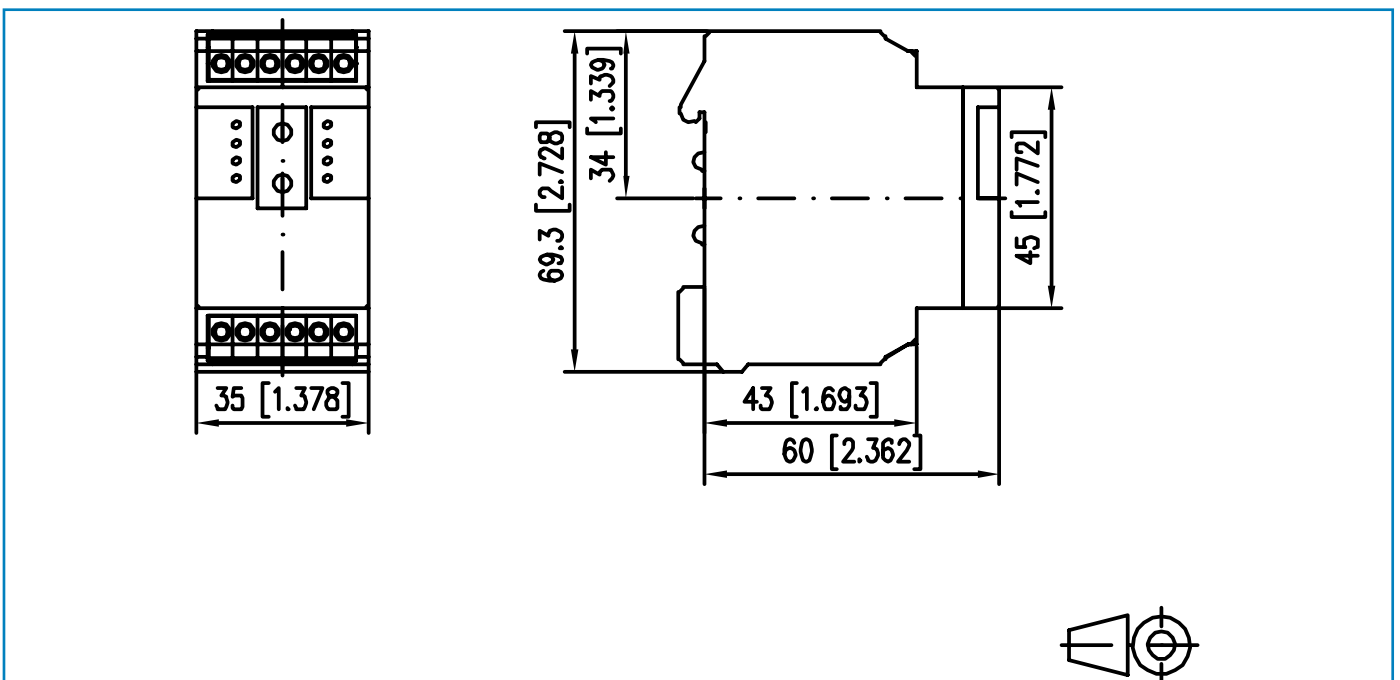
<b>Housing</b>	
Dimensions WxHxD	1.378 x 2.728 x 2.362 in. (35 x 69.3 x 60 mm)
Depth including switches	2.717 in. (69 mm)
Weight	95 g
Mounting position	any
Mounting	on TH35 rail per IEC 60715
Side-by-side mounting	Without space The maximum quantity of Modbus modules connected side-by-side is limited to 15 or to a maximum power consumption of 2 Amps (AC or DC) per connection to the power supply. For any similar block of additional modules a separate connection to the power supply is necessary.
Material	
Housing	polyamide 6.6 V0
Terminal blocks	polyamide 6.6 V0
Cover	polycarbonate
Type of protection (IEC 60529)	
Housing	IP40
Terminal blocks	IP20
<b>Terminal blocks</b>	
Supply and bus	
Terminal block	4-pole
Solid wire	max. AWG 16 (1.5 mm <sup>2</sup> )
Stranded wire	max. AWG 18 (1.0 mm <sup>2</sup> )
Wire diameter	0.3 mm to max. 1.4 mm
Module connection, digital outputs	
Solid wire	max. AWG 12 (4 mm <sup>2</sup> )
Stranded wire	max. AWG 14 (2.5 mm <sup>2</sup> )
Wire diameter	0.3 mm to max. 2.7 mm
Protective circuitry	Polarity reversal protection of operating voltage Polarity reversal protection of supply and bus
<b>Temperature range</b>	
Operation	23 °F to 131 °F (-5 °C to +55 °C)
Storage	-4 °F to +158 °F (-20 °C to +70 °C)
<b>Display</b>	
Operating and bus activity	green LED
Error indication	red LED
Status of the outputs	yellow LEDs
<b>Additional documents</b>	
Software description, mounting note, certificates	All additional documents are available for download at <a href="http://www.metz-connect.com">www.metz-connect.com</a>



## Connection examples



## Dimensional drawing



## X-ON Electronics

Largest Supplier of Electrical and Electronic Components

*Click to view similar products for [metz manufacturer](#):*

Other Similar products are found below :

[ASP0631006](#) [142M1D11100](#) [142M2X19020](#) [142M2X25005](#) [AST0820406](#) [1108861321](#) [1108311319](#) [1108501319](#) [11089313](#)  
[142M2X1C050](#) [841ER-1.17L](#) [ASP0450401](#) [PT11608VBBN](#) [130920-E](#) [130924-E](#) [1108841319](#) [110304412004](#) [1108831326](#) [15024AD206-E](#)  
[150240C30310S](#) [135015-SSC-E](#) [1528SBGT19E](#) [PR04302VBBN](#) [142M2X15010](#) [31189102](#) [11085813](#) [810-500](#) [31336104](#) [ASP0430922](#)  
[AST0450504](#) [AST1350604](#) [SP06502VBNF](#) [31072103](#) [SP02512HDNC](#) [142M1D19020](#) [31251104](#) [31359104](#) [834B-375ML](#) [832WC-3L](#)  
[31009105](#) [31020205](#) [31024102](#) [31027103](#) [ASP0251204](#) [PR01503VBVC](#) [PT11504HBBF](#) [RP01505WBWC](#) [130922-03-E](#) [150240C30610E](#)  
[11027605](#)