

ITEM NO	COLOR	LENGTH	1PCS/PE BAG	CTN
SVST-3MM	BLACK	915±20mm	08*6"*11"	80PC/CTN(46*/30*25CM)
SVST-10MM	BLACK	3050±50mm	08*7"*12"	30PC/CTN(46*/30*25CM)
SVST-25MM	BLACK	7650±60mm	08*9"*14"	80PC/CTN(46*/30*25CM)
SVST-50MM	BLACK	15250±100mm	08*14"*16"	20PC/CTN(46*/30*25CM)
SVST-75MM	BLACK	22875±100mm	08*18"*20"	xPC/CTN(46*/30*25CM)
SVST-100MM	BLACK	30500±100mm	08*18"*20"	xPC/CTN(46*/30*25CM)

NOTE:

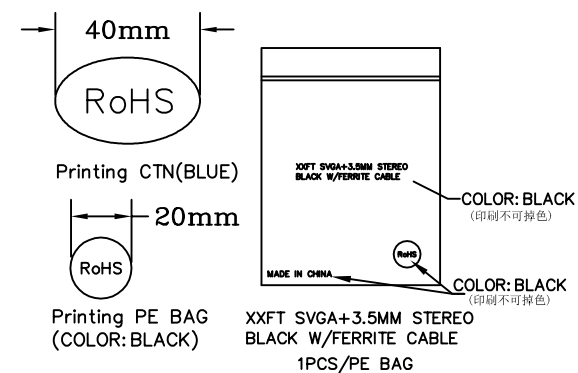
- CABLE; (A)28AWG(7/0.12TC),NON-UI,NON-FOIL,2C+S,OD=3.0±0.2mm,BLACK COLOR,PVC JACKET.
(B)28AWG(7/0.12TC),UL2919,AL+D+B,[(28AWG*1C+D+AL)*3COAX+28AWG*5.5PAIR]},OD=9.0±0.2mm.BLACK WITH EMBOSS,PVC JACKET.

- LENGTH:L.
- CONNECTORS:HDB15M*2PCS(BLACK INSULATOR),Ø3.5 STEREO PLUG*2PCS(三段式)(SHELL NICKEL).

- MOLD:MOLDING TYPE.
- SCREW:四方模螺絲*4PCS.
- CONTACTS:

HDB15P	1	6	2	7	3	8	4	14	5	12	10	13	11	15	9	64			
HDB15P	1	6	2	7	3	8	4	14	5	12	10	13	11	15	9	64			
	RC	RG	BC	BG	GC	GG	PAIR		PAIR		PAIR		PAIR			SHELL			
																Ø3.5 STEREO PLUG(P1)	1	2	64
																Ø3.5 STEREO PLUG(P2)	1	2	64
																	PAIR		SHELL

- Test machine test condition.
A.100% OPEN,SHORT&INTERMITANCE TEST.
B.CONDUCTOR RESISTANCE:3ohms MAX:
C.INSULATION RESISTANCE:5M Min/,10ms:
8. ALL MUST BE MEET ON ROHS COMPLIANT.



COMPANY	MRP	ITEM NO.	SVST-3MM	NO	B			SCALE	
REVISION	DATE	DISCRPTION	DRAWN BY	SPEC			Stellar Labs Computer +	UNIT(mm)	
REV.A/0	2015.04.14		DESIGNED BY					PAGE	1/1
			APPROVAL						

X-ON Electronics

Largest Supplier of Electrical and Electronic Components

Click to view similar products for [mcm manufacturer](#):

Other Similar products are found below :

[NWTBATCAPMB13](#) [27-505](#) [27-4200](#) [27-840](#) [28-5958](#) [50-10820](#) [28-1510](#) [27-5918](#) [27-5977](#) [24-12352](#) [287-14020](#) [28-6023](#) [35SPS-3](#) [28-6008](#) [21-4605](#) [21-4575](#) [21-19084](#) [21-12825](#) [27-570](#) [28-1525](#) [83-17604](#) [27-5833](#) [27-6020](#) [24-12345](#) [28-6017](#) [28-6032](#) [21-18966](#) [30-1530](#) [28-970](#) [27-560](#) [26-120](#) [CA68B](#) [24-12344](#) [28-6005](#) [24-13075](#) [PCM-2100-50](#) [21-18956](#) [28-6080](#) [24-5360](#) [24-1040](#) [27-5917](#) [28-6031](#) [HD15MM35N-100F](#) [28-975](#) [27-4270](#) [85-11102](#) [27-5940](#) [27-5949](#) [27-6112](#) [HD15MM35N-6F](#)