

Series 57M-EM

16MM MINIATURE PANEL SEALED METAL

The 57M is a miniature switch designed for rugged environments. The housing alloy with velour chrome plating. It is available as maintained or momentary action, Electro-mechanical operation with Gold plated contacts and solder terminals. It is ideal for a multitude of applications.



ACTUAL SIZE

APPLICATIONS:

- Security Equipment
- Industrial Control
- Medical Equipment
- Military Equipment
- Food Processing
- Transportation
- Computers

KEY FEATURES:

- Zinc Alloy/Velour Chrome Plated
- Center Spot LED and Non-Lighted Versions
- Maintained or Momentary Action
- Panel Sealed to IP67
- RoHS Compliant
- Electro-Mechanical
- Gold Plated Contacts and Terminals
- 5A / 28VDC with UL61058

ORDERING INFORMATION:

Series:	Switch Function:	Housing Material:	Illumination:	LED Color:	Voltage Resistor:
Blank Gold Contact IP67	1 Mechanical, Momentary, Solder Terminal	1 Zinc Alloy, Velour Chrome Plated	0 Non-lit	N None	If Blank*
S Silver Contact IP67	2 Mechanical, Maintained, Solder Terminal	3 Zinc Alloy, Black	1 Center Spot Illumination	G Green	05 5V Forward
N Silver Contact	5 Mechanical, Momentary, PC Terminal	4 Stainless Steel, Natural	2 Ring Illumination	R Red	12 12V Forward
C Silver Contact Screw Terminal IP67	6 Mechanical, Maintained, PC Terminal		3 Standby Logo Illumination	A Amber	24 24V Forward
D Silver Contact Short Housing IP67	A Mechanical, Momentary, Wire Leads		4 High Button Non-Illumination	Y Yellow	
G Silver Contact IP67/2A	B Mechanical, Maintained, Wire Leads			B Blue	
SA Silver Contact IP67/5A	9 Special, Digits Are in Serial Order			W White	
				RB Red / Blue	
				RG Red / Green	

57M-

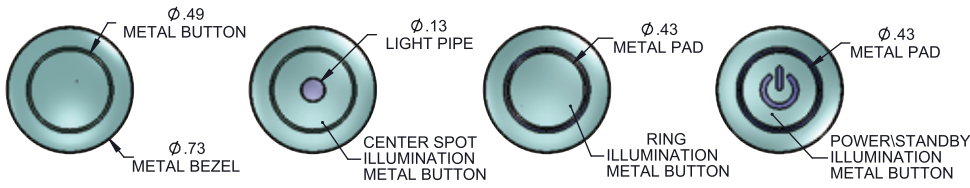
* Current limiting resistor is required to limit LED forward current to 20 mA (not included).

STANDARDS / AGENCY / RATINGS:

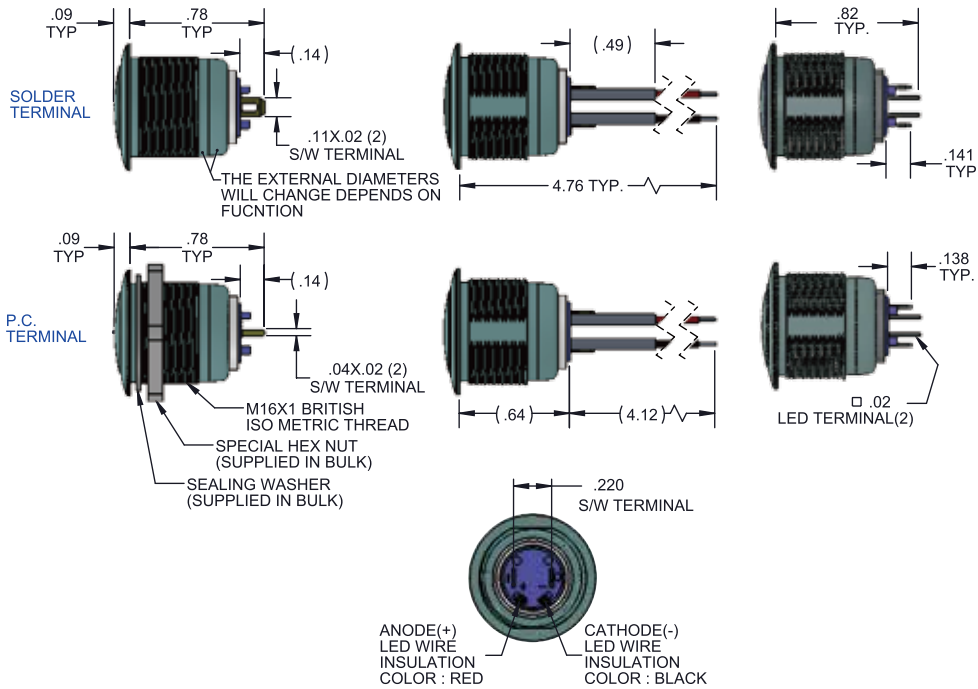


SERIES 57M: 16MM MINIATURE PANEL SEALED METAL

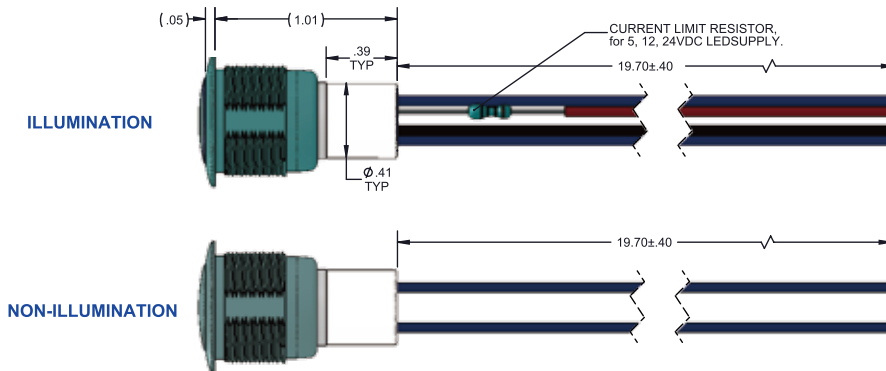
PRODUCT DRAWINGS



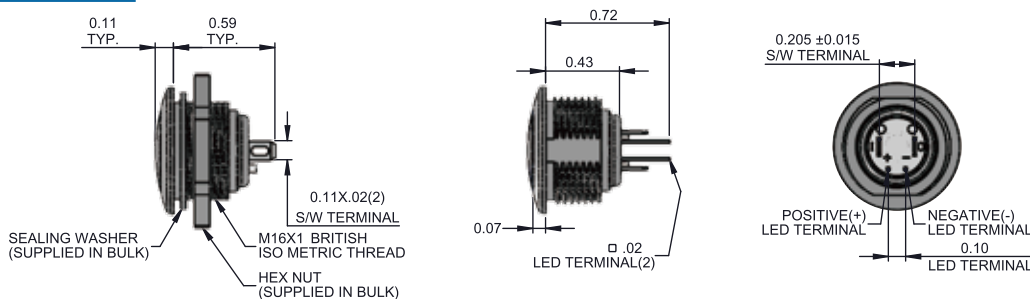
57M/ S57M SERIES



WIRELEADS



D57M SERIES



MECHANICAL / ELECTRICAL CHARACTERISTICS:

CIRCUIT:

SPST-NO-DB

BUTTON TRAVEL (Nominal):

0.09 inches / 2.3mm

OPERATING FORCE (Nominal):

3N / 306g

CONTACT BOUNCE (Nominal):

1 millisecond

PANEL THICKNESS:

0.20 - 0.120 inches/
0.5 - 3mm

TEMPERATURE INDEX:

-40°C to +85°C

TORQUE (MAX):

10 inch pounds

LED OPERATION TEMPERATURE:

-13°F to +185°F / -25°C to +85°C

CURRENT RATINGS(Resistive)

57M (Momentary)

250mA @ 12VDC, 100k Cycles

150mA @ 28VDC, 150k Cycles

100mA @ 48VDC, 100k Cycles

10mA @ 12VDC, 1,000k Cycles

57M (Maintained)

50,000 Cycles Nominal

S57M (Momentary)

10mA @ 12VDC, 200k Cycles

S57M (Maintained)

20k Cycles Nominal

D57M (Momentary)

10mA @ 12VDC, 200k Cycles

ELECTRICAL SPECIFICATIONS

DIELECTRIC STRENGTH:

1,000 VAC

INSULATION RESISTANCE:

1GΩ

CONTACT RESISTANCE:

50mΩ max (intial)

PUSHBUTTON SWITCHES

SERIES 57M: 16MM MINIATURE PANEL SEALED METAL

MECHANICAL / ELECTRICAL CHARACTERISTICS:

CIRCUIT:

SPST-NO-DB

BUTTON TRAVEL (Nominal):

0.09 inches / 2.3mm

OPERATING FORCE (Nominal):

3N / 306g

CONTACT BOUNCE (Nominal):

1 millisecond

PANEL THICKNESS:

0.20 - 0.120 inches /
0.5 - 3mm

TEMPERATURE INDEX:

-40°C to +85°C

TORQUE (MAX):

10 inch pounds

LED OPERATION TEMPERATURE:

-13°F to +185°F / -25°C to +85°C

CURRENT RATINGS(Resistive)

G57M (Momentary)

2A @ 24VDC, 40k Cycles

1A @ 250VAC, 40k Cycles

G57M (Maintained)

2A @ 24VDC, 20k Cycles

1A @ 250VAC, 20k Cycles

N57M (Momentary)

10mA @ 12VDC, 200k Cycles

N57M (Maintained)

20k Cycles Nominal

ELECTRICAL SPECIFICATIONS

DIELECTRIC STRENGTH:

1,000 VAC

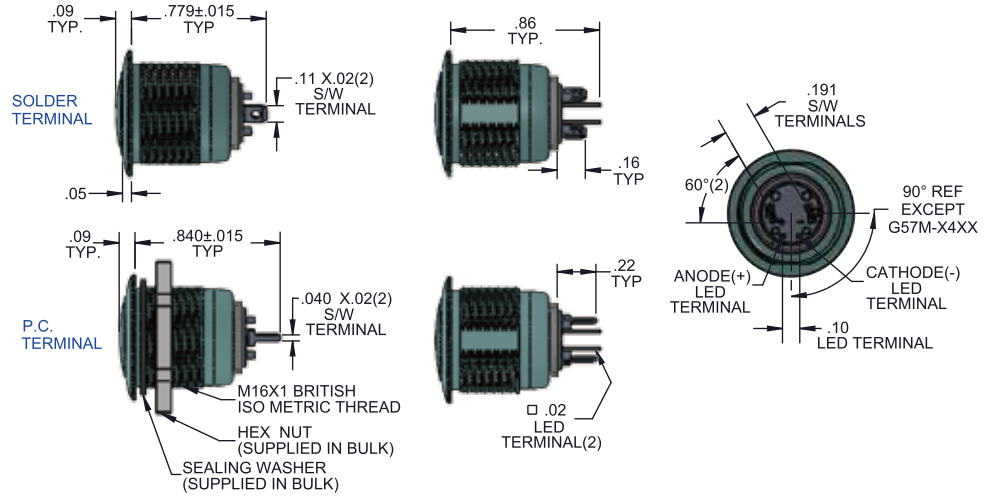
INSULATION RESISTANCE:

1GΩ

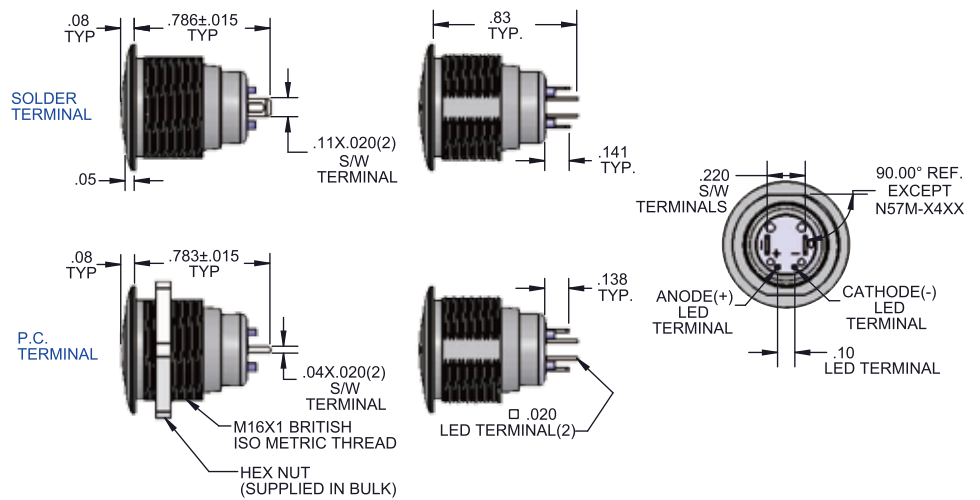
CONTACT RESISTANCE:

50mΩ max (initial)

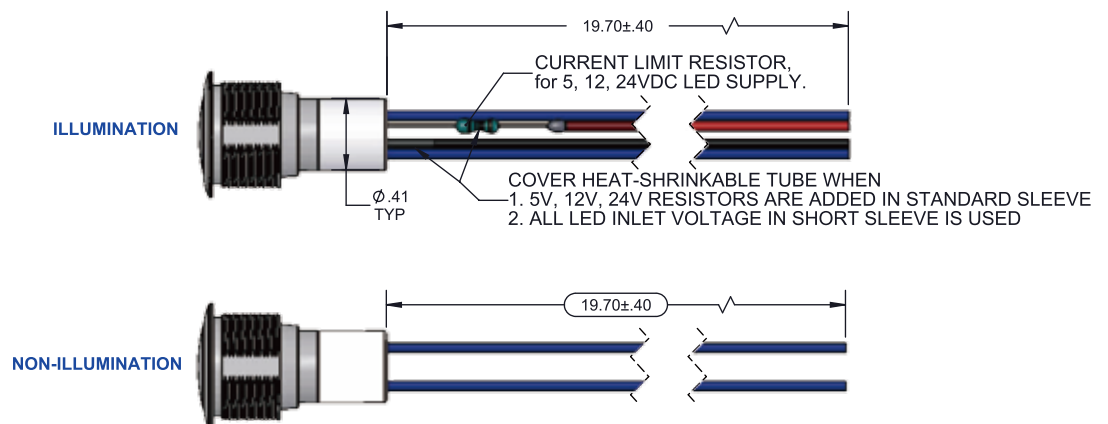
G57M SERIES



N57M SERIES

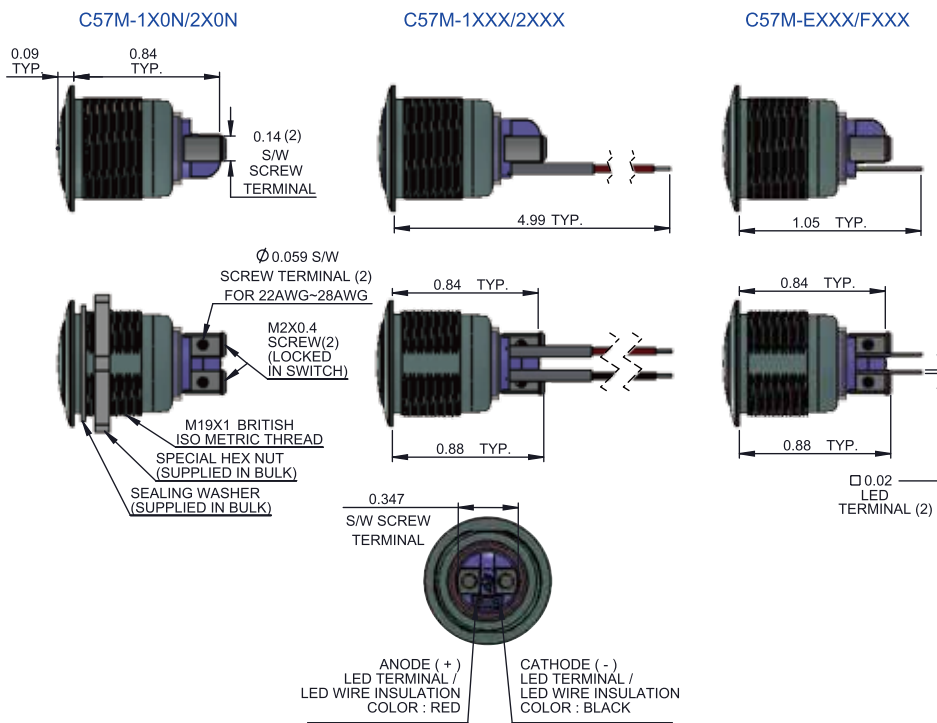


WIRELEADS

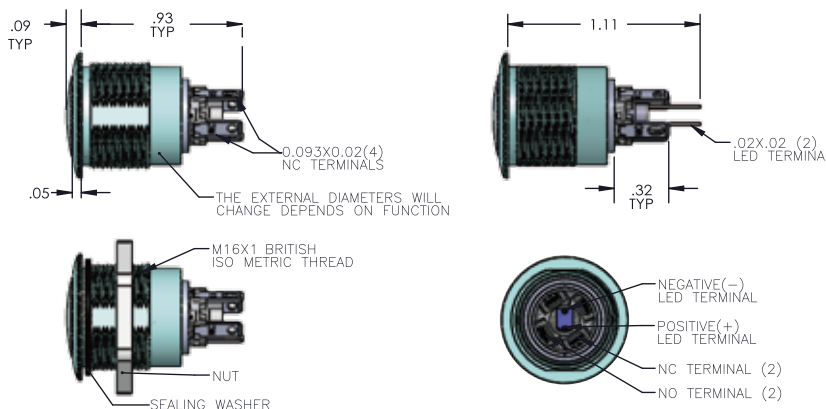


SERIES 57M: 16MM MINIATURE PANEL SEALED METAL

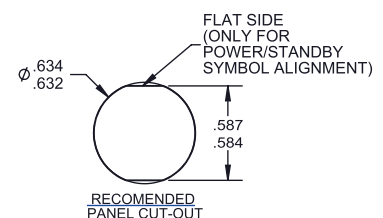
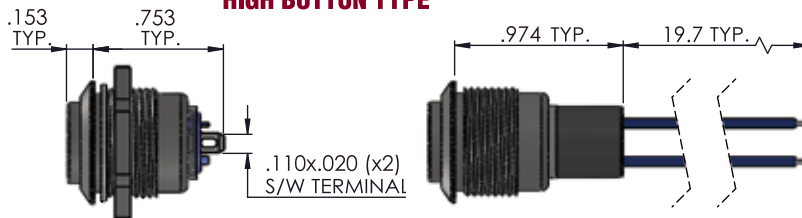
C57M SERIES



SA57M SERIES



HIGH BUTTON TYPE



MECHANICAL / ELECTRICAL CHARACTERISTICS:

CIRCUIT:

SPST-NO-DB

BUTTON TRAVEL (Nominal):

0.09 inches / 2.3mm

OPERATING FORCE (Nominal):

3N / 306g

CONTACT BOUNCE (Nominal):

1 millisecond

PANEL THICKNESS:

0.20 - 0.120 inches/
0.5 - 3mm

TEMPERATURE INDEX:

-40°C to +85°C

TORQUE (MAX):

10 inch pounds

LED OPERATION TEMPERATURE:

-13°F to +185°F / -25°C to +85°C

CURRENT RATINGS(Resistive)

C57M (Momentary)

10mA @ 12VDC, 200K Cycles

C57M (Maintained)

20k Cycles Nominal

SA57M (Momentary)

5A @ 28VDC, 125/250 VAC 25K Cycles
Nominal

ELECTRICAL SPECIFICATIONS

DIELECTRIC STRENGTH:

1,000 VAC

INSULATION RESISTANCE:

1GΩ

CONTACT RESISTANCE:

50mΩ max (initial)

PANEL MOUNTING AND CONSTRUCTION INFORMATION

The series 57M mounts easily into panels of minimum 0.20"(0.5mm) and maximum 0.120"(3mm) thicknesses. Front panel sealing to IP67 is achieved by a sealing washer which is fitted to the body of the switch before it is inserted into the panel hole cutout. It is held onto the panel by means of a metal hex nut tightened down to a torque of 10 inch pounds to achieve the correct sealing pressure. Designs and specifications are subject to change without notice due to product improvement.

Designs and specifications are subject to change without notice due to product improvement.

TW Switches
SENSORS, SWITCHES, ELECTRONIC CONTROLS

800.544.3354

X-ON Electronics

Largest Supplier of Electrical and Electronic Components

Click to view similar products for [itw switches manufacturer](#):

Other Similar products are found below :

[MP648-16\(50\)](#) [SDBS25PN](#) [76-1024](#) [48M-111B](#) [76-959034](#) [181541B](#) [MDJ15](#) [DA15POLF](#) [48M-111G](#) [22-204](#) [DC37PF](#) [DB25SNF](#) [DB25SF](#)
[76-9510/4044](#) [49-59115](#) [40-2-5](#) [76-9513/4044G](#) [76-9113/439088](#) [SDAX15SNT](#) [SDD50PTD](#) [59-900091](#) [48M210N](#) [ES1020](#) [SDB25PNTD](#)
[DE9SNF](#) [DAC15P](#) [H48M-112B/4044](#) [40-2-10](#) [57-112R](#) [76-9116/439088](#) [76-9112/439088](#) [DE9PF](#) [HDAX26SNT](#) [48-1-RB-G-BK-B](#)
[48M112R](#) [H48M-112G/4044](#) [57M110N](#) [H48M-212B/4044](#) [H48M-212R/4044](#) [57M-211B](#) [49-59116](#) [4959213](#) [48M110N](#) [4959113](#) [1640401](#)
[76-9711/439088R](#) [76-9440/439088B](#) [48-1-RB-R-BK-B](#) [76-1266](#) [76-9450/439088R](#)