

19MM PANEL SEALED 10 AMP METAL PUSHBUTTONS

These rugged electromechanical pushbuttons are available in stainless steel or zinc alloy housings and come in momentary or maintained action. Lighting options include center spot, or ring illumination. This 19mm size make the H48M ideal for many applications in the transportation, security, food processing and medical markets.

APPLICATIONS

- Outdoor Controls
- Security Equipment
- Medical Equipment
- Food Processing Equipment
- Military Equipment
- Industrial Machinery
- Transportation: Mass-Transit, Lift Trucks

KEY FEATURES:

- Momentary or Maintained Action
- Stainless Steel Housing
- Center Spot or Ring Illumination
- Variety of LED colors
- Electro-Mechanical
- Panel Sealed to IP67
- ROHS Compliant
- 16-4044 & 16-530004 & 16-40443 (UL and CSA Certified): SPDT Form Z, Silver contacts

Series H48M



ACTUAL SIZE

ORDERING INFORMATION:

Switch Function:	Housing Material:	Button Style:	LED Color:	Voltage Resistor:	Series 16 Switch:
1 Mechanical, Momentary	1 Stainless Steel	0 Non-lit	N None	If Blank*	/4004 Silver Solder Terminals
2 Mechanical, Maintained	2 Zinc Alloy	1 Center Spot	G Green	05 5V Forward	/530004 Bottom QC.110 Terminals
	Velour Chrome Plated	2 Ring Illumination	R Red	12 12V Forward	/40443 Silver Alloy Solder Terminals
		3 Standby / Poewr	A Amber	24 24V Forward	
			B Blue		
			W White		
			Y Yellow		
			RB Red / Blue		
			RG Red / Green		

* Current limiting resistor is required to limit LED forward current to 20 mA (not included)

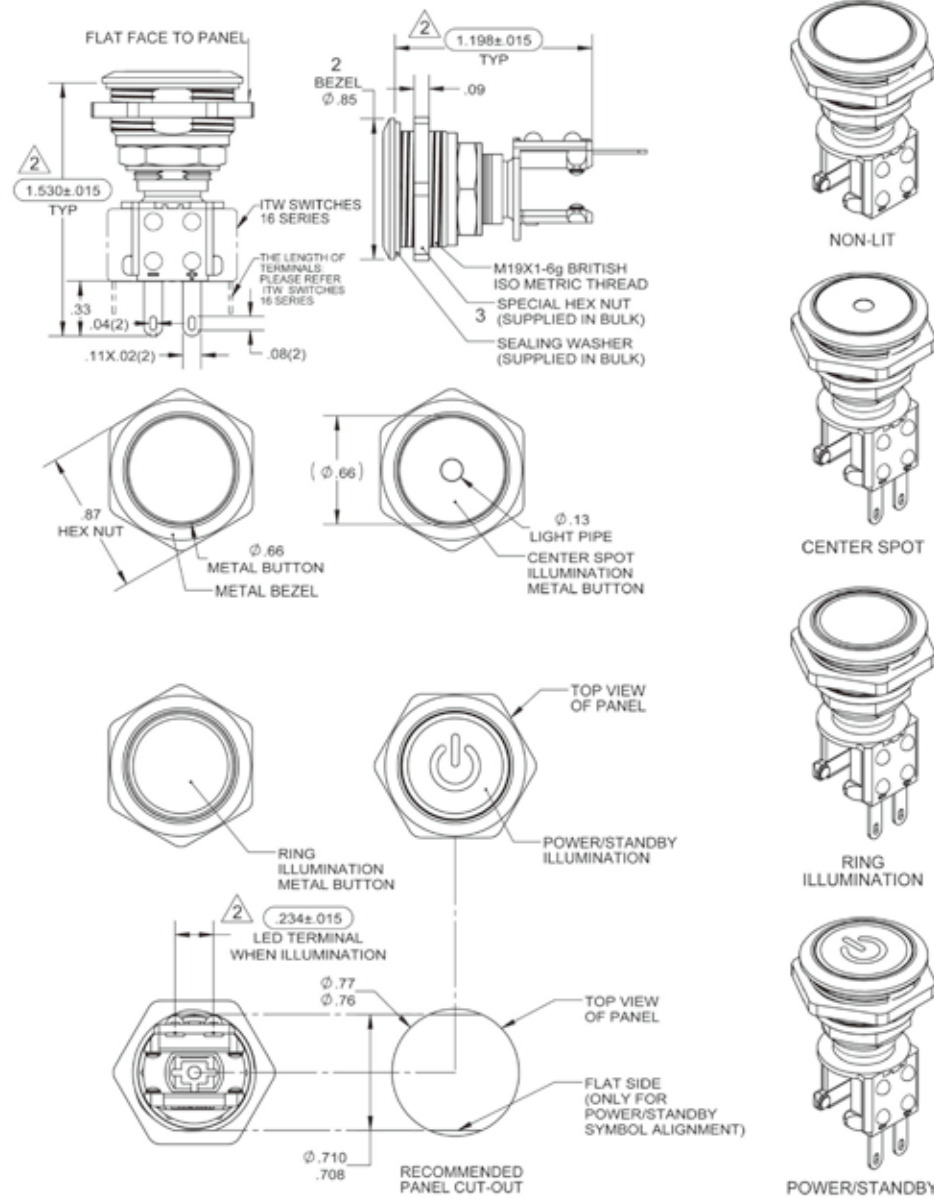
LED forward voltage:
 – Red, Amber & Yellow: 2 V
 – Green, Blue & White: 3.4 V

STANDARDS / AGENCY / RATINGS:



SERIES H48M: 19MM PANEL SEALED 10 AMP PUSHBUTTON

PRODUCT DRAWINGS



MECHANICAL / ELECTRICAL CHARACTERISTICS:

Circuit:

SPDT-DB (Form Z)

Button travel (nominal):

0.09 inches (2.3 mm)

Operating force (nominal):

5.2N (520 grams)

Contact bounce (nominal):

1 millisecond

Panel thickness:

0.020" – 0.177" (0.5 – 4.5 mm)

Temperature index:

-40° C to +85° C (momentary)

-40° C to +65° C (maintained)

Torque (max):

10 inch pounds

LED operating temperature:

-13° F to +185° F

(-25° C to +85° C)

Current ratings:

10A @ 125/250 VAC (res)

10A @ 28 VDC (ind)

Actuator life (nominal):

500,000 cycles (momentary)

50,000 cycles (maintained)

ELECTRO SPECIFICATIONS

Dielectric strength:

1,000 VAC

Insulation resistance:

1 GΩ

Contact resistance:

50 mΩ max (initial)

LED SPECIFICATIONS

LED CODE	LED		CIRCUITRY	Vf(VDC)		If (mA)
	Color 1	Color 2		Color 1	Color 2	
A	AMBER	—		1.6~2.0	—	20
R	RED	—		1.6~2.0	—	20
Y	YELLOW	—		1.6~2.0	—	20
B	BLUE	—		2.8~3.4	—	20
G	GREEN	—		2.8~3.4	—	20
W	WHITE	—		2.8~3.4	—	20
RB	RED	BLUE		1.6~2.0	2.8~3.4	20
RG	RED	GREEN		1.6~2.0	2.8~3.4	20

Notes:

- Lead Soldering Temperature (4mm form body) : 280°C for 5 seconds
- Head Soldering Temperature (4mm form body) : 280°C for 3 seconds

PANEL MOUNTING INFORMATION

The series H48M mounts easily into panels of minimum 0.020" (0.5 mm) and maximum 0.177" (4.5 mm) thickness. Front panel sealing to IP67 is achieved by a sealing o-ring fitted to the body of the switch before it is inserted into the panel hole cut-out. It is held onto the panel by means of a metal hex nut tightened down to a torque of 10 inch pounds to achieve the correct sealing pressure. The Basic Switch (16-4044 or 16-530004) has to be installed after the pushbutton actuator is firmly secured to specified torque onto the panel.

ITW Switches
SENSORS, SWITCHES, ELECTRONIC CONTROLS

800.544.3354

X-ON Electronics

Largest Supplier of Electrical and Electronic Components

Click to view similar products for [itw switches manufacturer](#):

Other Similar products are found below :

[MP648-16\(50\)](#) [SDBS25PN](#) [76-1024](#) [48M-111B](#) [76-959034](#) [181541B](#) [MDJ15](#) [DA15POLF](#) [48M-111G](#) [22-204](#) [DC37PF](#) [DB25SNF](#) [DB25SF](#)
[76-9510/4044](#) [49-59115](#) [40-2-5](#) [76-9513/4044G](#) [76-9113/439088](#) [SDAX15SNT](#) [SDD50PTD](#) [59-900091](#) [48M210N](#) [ES1020](#) [SDB25PNTD](#)
[DE9SNF](#) [DAC15P](#) [H48M-112B/4044](#) [40-2-10](#) [57-112R](#) [76-9116/439088](#) [76-9112/439088](#) [DE9PF](#) [HDAX26SNT](#) [48-1-RB-G-BK-B](#)
[48M112R](#) [H48M-112G/4044](#) [57M110N](#) [H48M-212B/4044](#) [H48M-212R/4044](#) [57M-211B](#) [49-59116](#) [4959213](#) [48M110N](#) [4959113](#) [1640401](#)
[76-9711/439088R](#) [76-9440/439088B](#) [48-1-RB-R-BK-B](#) [76-1266](#) [76-9450/439088R](#)