

Data sheet

LF-DI4

LON module with digital inputs

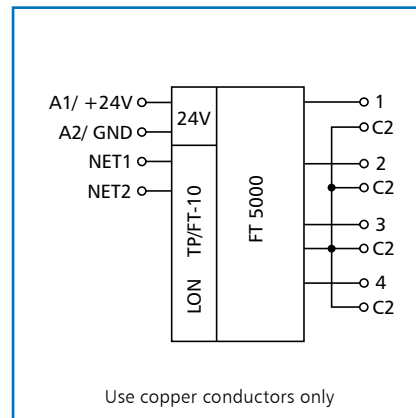
Part number
1108501319

2015-03-19

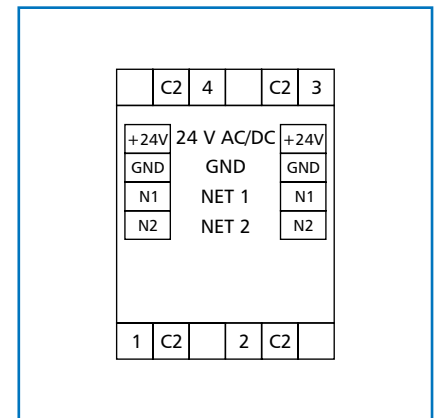
Illustrations



Principle diagram



Wiring



Product description

The LON module with 4 digital inputs was developed for decentralized switching tasks. It is suitable for detecting potential-free switch states, for example electrical limit switches on vent valves or auxiliary contacts of power contactors. The input terminals 1 to 4 are wired with the C2 terminals to potential-free switches or contacts.

The inputs can be scanned individually or simultaneously by SNVT network variables.

Suitable for decentralized mounting on DIN TH35 rail according to IEC 60715 in electrical distribution cabinets.

Data sheet

LF-DI4

LON module with digital inputs

Technical data

Approvals

C-UL Certification	Open Energy Management Equipment 34TZ
--------------------	---------------------------------------

LON interface

Transceiver	TP/FT-10 free topology
Neuron	FT5000
Data format	Standard network variables (SNVT)
Transmission rate	78 kBit/s
Max. length	
Line topology	2700 m / 64 nodes
Free topology	500 m / 64 nodes
Cabling	Twisted Pair

Supply

Operating voltage range	20 to 28 V AC/DC (SELV)
Current consumption	63 mA (AC) / 21 mA (DC)
Relative duty cycle	100 %
Recovery time	550 ms

Inputs

Digital inputs	4x contact input
Switching threshold	4.5 V DC

Housing

Dimensions WxHxD	1.378 x 2.728 x 2.362 in. (35 x 69.3 x 60 mm)
Weight	83 g
Mounting position	any
Mounting	on TH35 rail per IEC 60715
Side-by-side mounting	Without space The maximum quantity of LON modules connected side-by-side is limited to 15 or to a maximum power consumption of 2 Amps (AC or DC) per connection to the power supply. For any similar block of additional modules a separate connection to the power supply is necessary.

Material

Housing	polyamide 6.6 V0
Terminal blocks	polyamide 6.6 V0
Cover plate	polycarbonate
Type of protection (IEC 60529)	
Housing	IP40
Terminal blocks	IP20

Data sheet

LF-DI4

LON module with digital inputs

Technical data

Terminal blocks	
Supply and bus	
Terminal block	4-pole
Solid wire	max. AWG 16 (1.5 mm ²)
Stranded wire	max. AWG 18 (1.0 mm ²)
Wire diameter	0.3 mm to max. 1.4 mm
Module connection, digital inputs	
Solid wire	max. AWG 12 (4 mm ²)
Stranded wire	max. AWG 14 (2.5 mm ²)
Wire diameter	0.3 mm to max. 2.7 mm
Protective circuitry	Polarity reversal protection of operating voltage Polarity reversal protection of supply and bus
Temperature range	
Operation	23 °F to 131 °F (-5 °C to +55 °C)
Storage	-4 °F to +158 °F (-20 °C to +70 °C)
Display	
Operation	green LED
Status (Service)	yellow LED
State of inputs	yellow LEDs
Additional documents	
Software description, mounting note, certificates	All additional documents are available for download at www.metz-connect.com



Data sheet

LF-DI4

LON module with digital inputs

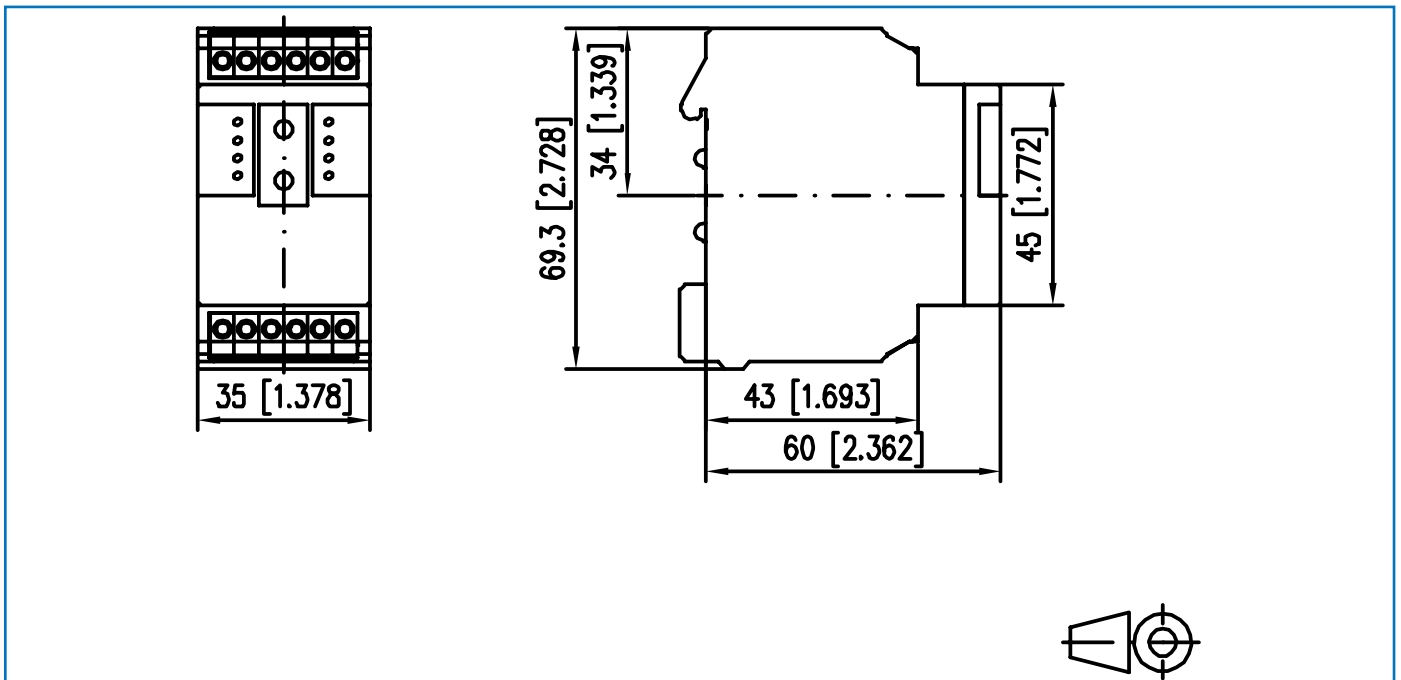
Page 4/4

Part number

1108501319

2015-03-19

Dimensional drawing



X-ON Electronics

Largest Supplier of Electrical and Electronic Components

Click to view similar products for [metz manufacturer](#):

Other Similar products are found below :

[ASP0631006](#) [142M1D11100](#) [142M2X19020](#) [142M2X25005](#) [AST0820406](#) [1108861321](#) [1108311319](#) [1108501319](#) [11089313](#)
[142M2X1C050](#) [841ER-1.17L](#) [ASP0450401](#) [PT11608VBBN](#) [130920-E](#) [130924-E](#) [1108841319](#) [110304412004](#) [1108831326](#) [15024AD206-E](#)
[150240C30310S](#) [135015-SSC-E](#) [1528SBGT19E](#) [PR04302VBBN](#) [142M2X15010](#) [31189102](#) [11085813](#) [810-500](#) [31336104](#) [ASP0430922](#)
[AST0450504](#) [AST1350604](#) [SP06502VBNF](#) [31072103](#) [SP02512HDNC](#) [142M1D19020](#) [31251104](#) [31359104](#) [834B-375ML](#) [832WC-3L](#)
[31009105](#) [31020205](#) [31024102](#) [31027103](#) [ASP0251204](#) [PR01503VBVC](#) [PT11504HBBF](#) [RP01505WBWC](#) [130922-03-E](#) [150240C30610E](#)
[11027605](#)