

Data sheet

BMT-AI8

BACnet module with analog inputs

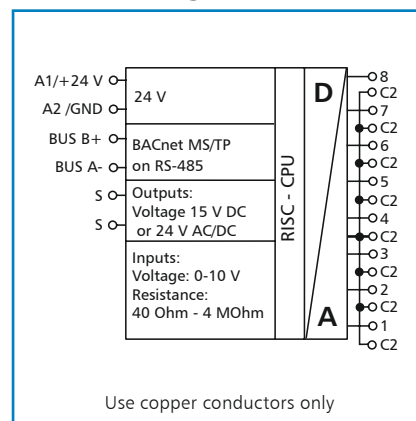
Part number
11088213

2016-11-11

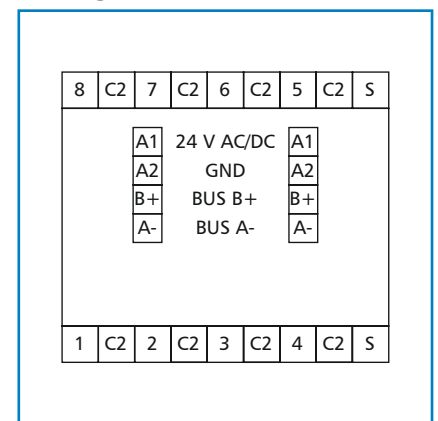
Illustrations



Principle diagram



Wiring



Product description

The BACnet MS/TP module with 8 individually configurable resistance or voltage inputs was developed for decentralized switching tasks.

It is suitable for detecting resistances and voltages of, for example, passive and active temperature sensors, electrical vent and mixing valves, valve positions, etc.

The inputs can be configured universally by means of standard objects via a BACnet client. The module is addressed and the bitrate is set by means of two address switches on the front.

Suitable for decentralized mounting on DIN TH35 rail according to IEC 60715 in electrical distribution cabinets.

Data sheet
BMT-AI8
BACnet module with analog inputs

Page 2/4
Part number
11088213
 2016-11-11

Technical data

| | |
|---------------------------------------|--|
| Approvals | |
| C-UL Certification | Open Energy Management Equipment 34TZ |
| BACnet interface | |
| Protocol | BACnet MS/TP |
| Address range | 00 to F9 |
| Transmission rate | 9600 to 115200 Bit/s, factory setting 9600 Bit/s |
| Cabling | RS485 two wire bus with potential equalization in bus or line topology terminate with 120 Ohm |
| Supply | |
| Operating voltage | 24 V AC/DC \pm 10 % (SELV) |
| Current consumption | 65 mA (AC) / 25 mA (DC) |
| Relative duty cycle | 100 % |
| Inputs | |
| Analog inputs | 8, individually configurable |
| Resistane range | 40 Ohm to 4 MOhm |
| Voltage input | 0 to 10 V DC |
| Resolution | 10 mV |
| Error | about \pm 100 mV |
| Housing | |
| Dimensions WxHxD | 1.969 x 2.728 x 2.362 in. (50 x 69.3 x 60 mm) |
| Weight | 104 g |
| Mounting position | any |
| Mounting | on TH35 rail per IEC 60715 |
| Side-by-side mounting | Without space The maximum quantity of BACnet modules connected side-by-side is limited to 15 or to a maximum power consumption of 2 Amps (AC or DC) per connection to the power supply. For any similar block of additional modules a separate connection to the power supply is necessary. |
| Material | |
| Housing | polyamide 6.6 V0 |
| Terminal blocks | polyamide 6.6 V0 |
| Cover | polycarbonate |
| Type of protection (IEC 60529) | |
| Housing | IP40 |
| Terminal blocks | IP20 |

Data sheet
BMT-AI8
BACnet module with analog inputs

Page 3/4
Part number
11088213
 2016-11-11

Technical data

| | |
|---|---|
| Terminal blocks | |
| Supply and bus | |
| Terminal block | 4-pole |
| Solid wire | max. AWG 16 (1.5 mm ²) |
| Stranded wire | max. AWG 18 (1.0 mm ²) |
| Wire diameter | 0.3 mm to max. 1.4 mm |
| Module connection, analog inputs | |
| Solid wire | max. AWG 12 (4 mm ²) |
| Stranded wire | max. AWG 14 (2.5 mm ²) |
| Wire diameter | 0.3 mm to max. 2.7 mm |
| Protective circuitry | Polarity reversal protection of operating voltage Polarity reversal protection of supply and bus |
| Temperature range | |
| Operation | 23 °F to 131 °F (-5 °C to +55 °C) |
| Storage | -4 °F to +158 °F (-20 °C to +70 °C) |
| Display | |
| Operating and bus activity | green LED |
| Error indication | red LED |
| Additional documents | |
| Software description, mounting note, certificates | All additional documents are available for download at www.metz-connect.com |

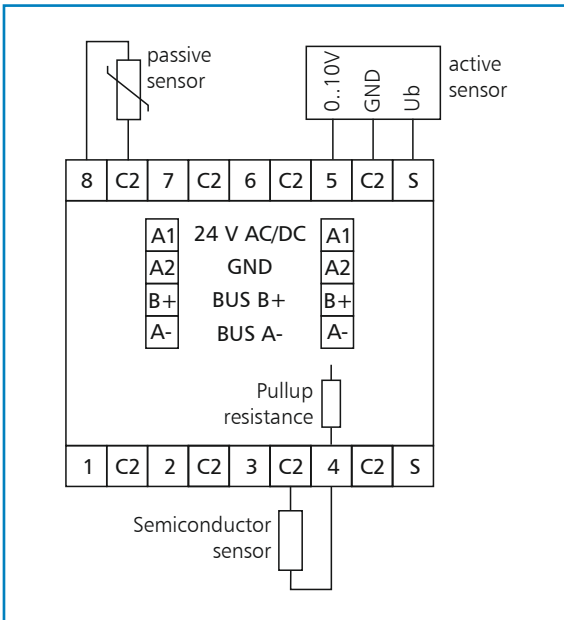


Data sheet

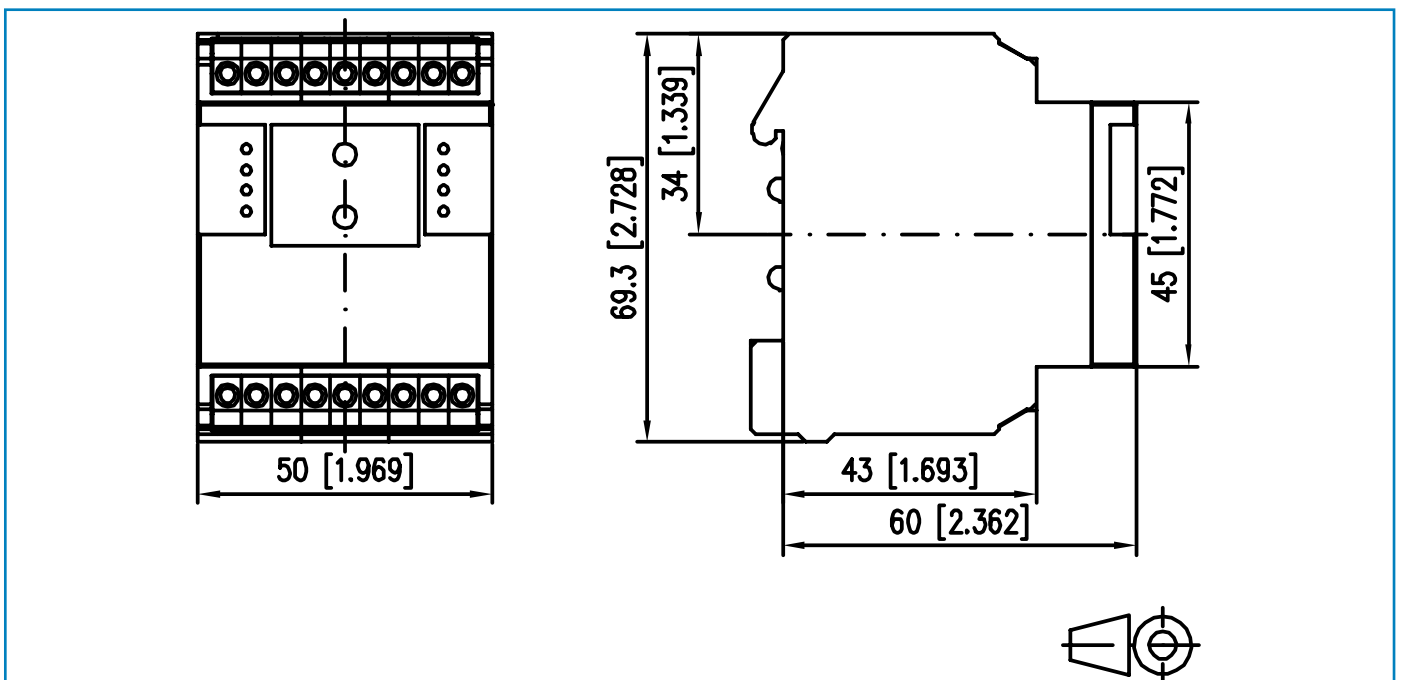
BMT-AI8

BACnet module with analog inputs

Connection examples



Dimensional drawing



X-ON Electronics

Largest Supplier of Electrical and Electronic Components

Click to view similar products for [metz manufacturer](#):

Other Similar products are found below :

[ASP0631006](#) [142M1D11100](#) [142M2X19020](#) [142M2X25005](#) [AST0820406](#) [1108861321](#) [1108311319](#) [1108501319](#) [11089313](#)
[142M2X1C050](#) [841ER-1.17L](#) [ASP0450401](#) [PT11608VBBN](#) [130920-E](#) [130924-E](#) [1108841319](#) [110304412004](#) [1108831326](#) [15024AD206-E](#)
[150240C30310S](#) [135015-SSC-E](#) [1528SBGT19E](#) [PR04302VBBN](#) [142M2X15010](#) [31189102](#) [11085813](#) [810-500](#) [31336104](#) [ASP0430922](#)
[AST0450504](#) [AST1350604](#) [SP06502VBNF](#) [31072103](#) [SP02512HDNC](#) [142M1D19020](#) [31251104](#) [31359104](#) [834B-375ML](#) [832WC-3L](#)
[31009105](#) [31020205](#) [31024102](#) [31027103](#) [ASP0251204](#) [PR01503VBVC](#) [PT11504HBBF](#) [RP01505WBWC](#) [130922-03-E](#) [150240C30610E](#)
[11027605](#)