



## MEAS EMITTER ASSEMBLY ELM-4000 SERIES

SpO<sub>2</sub> optical sensor component

- ◆ Dual Drive
- ◆ Lead Frame Construction
- ◆ Pulse Oximetry Component
- ◆ Clear Epoxy

Low oxygen level can put a strain on cell functioning including the heart and brain. This is critical in acute medical situations like post-op recovery. TE Connectivity (TE) 's SpO<sub>2</sub> optical components provide leading accuracy in oxygen level detection.

With more than 27 years of proven reliability and expertise, TE has designed SpO<sub>2</sub> sensors with best-in-class flexibility to accommodate multiple wavelength options.

Our ability to provide both components and complete sensor packages makes us a leading choice for pulse oximetry applications that require high degrees of precision, durability and performance.

The ELM-4000 series emitter assemblies are specially designed for medical applications where selection of peak wavelength is a key requirement. Emission source material is GaAIAs in conjunction with GaAIP complete with clear epoxy lens.

## MEAS EMITTER ASSEMBLY ELM-4000 SERIES

SpO<sub>2</sub> Optical Sensor Component

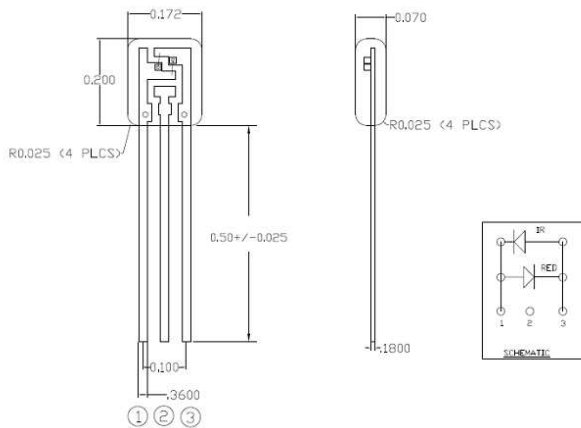
### Features

- ◆ 660 nm ±3 nm Peak Wavelength Red LED
- ◆ Three IR Wavelength Choices
- ◆ Dual Drive

### Applications

- ◆ Pulse Oximetry
- ◆ SpO<sub>2</sub> Finger/Ear Reusable Probes
- ◆ SpO<sub>2</sub> Disposable Strip or Butterfly Probes

### Dimensions (ELM-4001)



### RED 660nm

Parameter @ 25°C	Symbol	Conditions	Min.	Typ.	Max.	Absolute	Unit
Forward Voltage	$V_f$	$I_f=20\text{mA}$		1.85	2.30		V
Reverse Voltage	$V_{B_r}$	$I_{B_r}=10\mu\text{A}$	3.0				V
Reverse Current	$I_r$	$V_r=3\text{V}$			100		$\mu\text{A}$
Radiated Power	$P_o$	$I_f=20\text{mA}$		1			mW
Peak Wavelength	$\lambda_p$	$I_f=20\text{mA}$	657	660	663		nm

### INFRARED 880nm (ELM-4001)

Parameter @ 25°C	Symbol	Conditions	Min.	Typ.	Max.	Absolute	Unit
Forward Voltage	$V_f$	$I_f=20\text{mA}$			1.50		V
Reverse Voltage	$V_{B_r}$	$I_{B_r}=10\mu\text{A}$	3.0				V
Peak Wavelength	$\lambda_p$	$I_f=20\text{mA}$	870	880	890		nm
Spectral Bandwidth	$\lambda\Delta$	$I_f=20\text{mA}$		60	80		nm
Radiated Power	$P_o$	$I_f=20\text{mA}$	$\geq 0.6$	1			mW

## MEAS EMITTER ASSEMBLY ELM-4000 SERIES

SpO<sub>2</sub> Optical Sensor Component

### INFRARED 940nm (ELM-4002)

Parameter @ 25°C	Symbol	Conditions	Min.	Typ.	Max.	Absolute	Unit
Forward Voltage	V <sub>f</sub>	I <sub>f</sub> =20mA		1.20	1.40		V
Reverse Voltage	V <sub>B<sub>r</sub></sub>	I <sub>br</sub> =10μA	5.0				V
Peak Wavelength	λ <sub>p</sub>	I <sub>f</sub> =20mA	930	940	950		nm
Spectral Bandwidth	λΔ	I <sub>f</sub> =20mA		45			nm
Radiated Power	P <sub>o</sub>	I <sub>f</sub> =20mA	>=0.6	1			mW

### INFRARED 905nm (ELM-4003)

Parameter @ 25°C	Symbol	Conditions	Min.	Typ.	Max.	Absolute	Unit
Forward Voltage	V <sub>f</sub>	I <sub>f</sub> =20mA		1.20	1.40		V
Reverse Voltage	V <sub>B<sub>r</sub></sub>	I <sub>br</sub> =10μA	5.0				V
Peak Wavelength	λ <sub>p</sub>	I <sub>f</sub> =20mA	900	905	910		nm
Spectral Bandwidth	λΔ	I <sub>f</sub> =20mA		70			nm
Radiated Power	P <sub>o</sub>	I <sub>f</sub> =20mA	>=0.6	1			mW

### Ordering Information

Description	Model	Part Number
Emitter Assembly; Lead Frame; 660nm/880nm	ELM-4001	20-0599
Emitter Assembly; Lead Frame; 660nm/940nm	ELM-4002	11032254-00
Emitter Assembly; Lead Frame; 660nm/905nm	ELM-4003	20-0584

#### NORTH AMERICA

Measurement Specialties, Inc.,  
a TE Connectivity Company  
Tel: 800-522-6752  
[customercare.ando@te.com](mailto:customercare.ando@te.com)

#### EUROPE

Measurement Specialties (Europe), Ltd.,  
a TE Connectivity Company  
Tel: 800-440-5100  
[customercare.tlse@te.com](mailto:customercare.tlse@te.com)

#### ASIA

Measurement Specialties (China), Ltd.,  
a TE Connectivity Company  
Tel: 0400-820-6015  
[customercare.shzn@te.com](mailto:customercare.shzn@te.com)

#### [TE.com/sensorsolutions](http://TE.com/sensorsolutions)

TE Connectivity, TE connectivity (logo), Measurement Specialties, and MEAS are trademarks. Other logos, product and company names mentioned herein may be trademarks of their respective owners.

The information given herein, including drawings, illustrations and schematics which are intended for illustration purposes only, is believed to be reliable. However, TE Connectivity makes no warranties as to its accuracy or completeness and disclaims any liability in connection with its use. TE Connectivity's obligations shall only be as set forth in TE Connectivity's Standard Terms and Conditions of Sale for this product and in no case will TE Connectivity be liable for any incidental, indirect or consequential damages arising out of the sale, resale, use or misuse of the product. Users of TE Connectivity products should make their own evaluation to determine the suitability of each such product for the specific application.

© 2017 TE Connectivity. All Rights Reserved.

## X-ON Electronics

Largest Supplier of Electrical and Electronic Components

*Click to view similar products for te connectivity manufacturer:*

Other Similar products are found below :

[570416-000](#) [CLTEQ-M81CE-SSRELAY-4-20V](#) [D38999/24FJ4AN](#) [358838-000](#) [4-1195131-0](#) [650069-000](#) [SMD100-2](#) [CB-1022B-78](#)  
[RM707012](#) [RP410012](#) [MMS42](#) [1-640426-8](#) [2EDL4CM](#) [DTS20W19-11PD-3028-LC](#) [RM202615](#) [NC6-P104-06](#) [MSPS103B](#) [DTS26F21-41AE](#) [DTS26F21-41PE-LC](#) [DTS26F21-11SE-3028-LC](#) [1932144-1](#) [293545-4](#) [LVR125S](#) [MS27466T25F4PB](#) [CKB-38-78010](#)  
[1206SFF150F/63-2](#) [D38999/20JB35HA](#) [D38999/24WJ20PA](#) [1754138-1](#) [TE1500A2R2J](#) [DTS24F25-29PC-3028-LC](#) [D38999/24WG11HA](#)  
[D38999/24WG11HN](#) [MS27467T21F11H](#) [DJT16E21-11HA](#) [1206SFH150F/24-2](#) [DTS24F19-11SC-3028-LC](#) [DTS24F21-41HN-LC](#)  
[DTS24F21-41AN](#) [DTS24F21-41PN-LC](#) [RP330024](#) [MS27467T21F35J](#) [MS27467T21F11J](#) [MS27467T21F16H-LC](#) [MS27467T21F35H](#)  
[MS27467T21F41H-LC](#) [DJT16E21-11PA-LC](#) [DJT16E21-11HA-LC](#) [DJT16E21-11AA](#) [MS27467T21B11JA](#)