

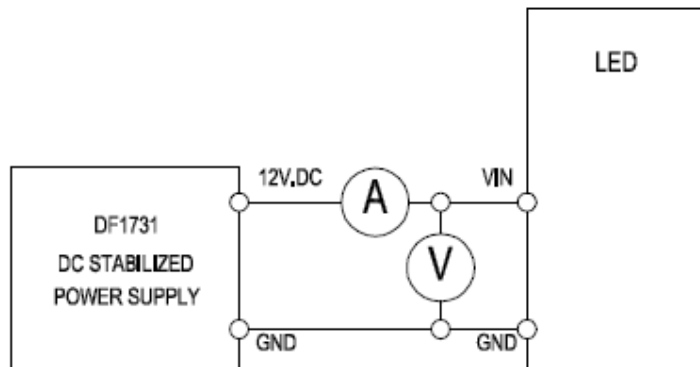


PLAZMO INDUSTRIES

PHONE : 402-330-2222 FAX : 886-499-2235

29970100 SPECIFICATION

1) LED LIGHT BAR OUTSIDE DIMENSION:



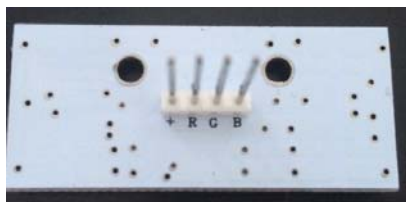
2) LED LIGHT BAR ELECTRIC CHARACTER:

- a. TYPICAL ELECTRIC INPUT VOLTAGE: DC 12 V
- b. TYPICAL WHOLE LED BAR POWER: 0.72W
- c. TYPICAL ELECTRIC CURRENT: 60mA

3) LED BAR LED LIGHT AND OPTICAL CHARACTER:

- a. LED DIODE COLOR TEMPERATRE: RGB
- b. LED DIODE SIZE: SMT5050
- c. LED DIODE QUANTITY: 4 PCS
- d. LED DIODE'S COLOUR: RGB

4) CONNERCTOR MODEL:TWIN WIRES



FILE NUMBER: #29970100

VERSION NUMBER:1 (2014)

PREPARED BY:ZHANG JIALONG(Technical Manager)

DATE:18 /JAN./14

X-ON Electronics

Largest Supplier of Electrical and Electronic Components

Click to view similar products for [plazmo industries](#) manufacturer:

Other Similar products are found below :

[29900700-10PK](#) [29901300-10PK](#) [29903100](#) [10600110-25PK](#) [29900900-10PK](#) [29903300](#) [29903410](#) [29902720](#) [29903510](#) [29902900](#)
[29903200](#) [19901820](#) [59900919](#) [69900200](#)