

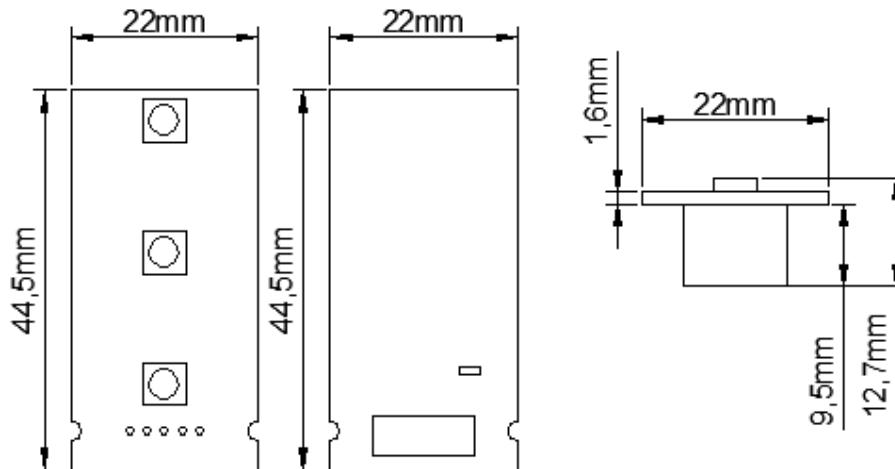


## PLAZMO INDUSTRIES

PHONE : 402-330-2222 FAX : 886-499-2235

### LED #29970200 SPECIFICATION

- 1) **PARTS NUMBER: #29970200**
- 2) **LED LIGHT BAR OUTSIDE DIMENSION:**



- 3) **LED LIGHT BAR ELECTRIC CHARACTER:**
  - a. TYPICAL ELECTRIC INPUT VOLTAGE: DC 12V
  - b. TYPICAL WHOLE LED BAR POWER: 0.54W
  - c. TYPICAL ELECTRIC CURRENT: 45mA
- 4) **LED BAR LED LIGHT AND OPTICAL CHARACTER:**
  - a. LED DIODE COLOR TEMPERATURE: RGB
  - b. LED DIODE SIZE: SMT5050
  - c. LED DIODE QUANTITY: 3 PCS
  - d. LED DIODE'S COLOUR: RGB

**FILE NUMBER: #29970200**

**VERSION NUMBER:1 (2018)**

**PREPARED BY:ZHANG JIALONG(Technical Manager)**

**DATE:01 /JAN./18**

## **X-ON Electronics**

Largest Supplier of Electrical and Electronic Components

*Click to view similar products for [plazmo industries](#) manufacturer:*

Other Similar products are found below :

[29900700-10PK](#) [29901300-10PK](#) [29903100](#) [10600110-25PK](#) [29900900-10PK](#) [29903300](#) [29903410](#) [29902720](#) [29903510](#) [29902900](#)  
[29903200](#) [19901820](#) [59900919](#) [69900200](#)