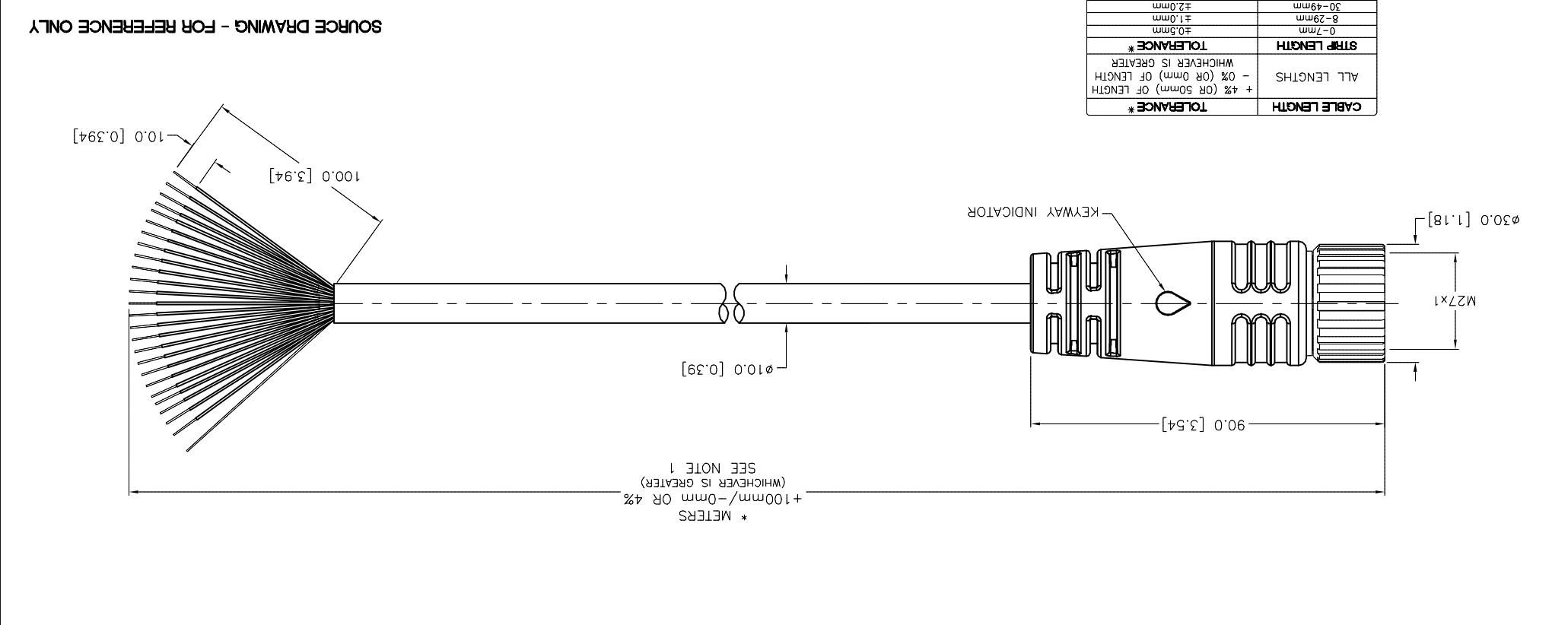


REV	DESCRIPTION	BY	DATE	ECO NO.																		
E	UPDATE RATED CURRENT SPECIFICATIONS	KMY	12/26/13	44390																		
1. "*" INDICATES CABLE LENGTH IN METERS. CONTACT TURCK TO ORDER SPECIFIC LENGTHS.																						
NOTES:																						
* UNLESS OTHERWISE SPECIFIED																						
<table border="1"> <tr> <th>CABLE LENGTH</th> <th>TOLERANCE *</th> </tr> <tr> <td>ALL LENGTHS</td> <td>+ 4% (OR 50mm) OF LENGTH - 0% (OR 0mm) OF LENGTH WHICHEVER IS GREATER</td> </tr> <tr> <th>STRIP LENGTH</th> <th>TOLERANCE *</th> </tr> <tr> <td>0-7mm</td> <td>±0.5mm</td> </tr> <tr> <td>8-29mm</td> <td>±1.0mm</td> </tr> <tr> <td>30-49mm</td> <td>±2.0mm</td> </tr> <tr> <td>50-69mm</td> <td>±3.0mm</td> </tr> <tr> <td>70-100mm</td> <td>±4.0mm</td> </tr> <tr> <td>OVER 100mm</td> <td>±5.0mm</td> </tr> </table>					CABLE LENGTH	TOLERANCE *	ALL LENGTHS	+ 4% (OR 50mm) OF LENGTH - 0% (OR 0mm) OF LENGTH WHICHEVER IS GREATER	STRIP LENGTH	TOLERANCE *	0-7mm	±0.5mm	8-29mm	±1.0mm	30-49mm	±2.0mm	50-69mm	±3.0mm	70-100mm	±4.0mm	OVER 100mm	±5.0mm
CABLE LENGTH	TOLERANCE *																					
ALL LENGTHS	+ 4% (OR 50mm) OF LENGTH - 0% (OR 0mm) OF LENGTH WHICHEVER IS GREATER																					
STRIP LENGTH	TOLERANCE *																					
0-7mm	±0.5mm																					
8-29mm	±1.0mm																					
30-49mm	±2.0mm																					
50-69mm	±3.0mm																					
70-100mm	±4.0mm																					
OVER 100mm	±5.0mm																					
RELATED DOCUMENTS																						
1. 3RD ANGLE PROJECTION																						
2. INC. USE OF THIS DOCUMENT WITHOUT WRITTEN PERMISSION IS PROHIBITED.																						
3.																						
4.																						
MATERIAL																						
SEE SPECIFICATIONS																						
FINISH																						
SEE SPECIFICATIONS																						
CONTACT TURCK FOR MORE INFORMATION																						
ALL DIMENSIONS DISPLAYED ON THIS DRAWING ARE FOR REFERENCE ONLY																						
UNIT OF MEASUREMENT																						
MILLIMETER [INCH]																						
DO NOT SCALE THIS DRAWING																						
FILE: 777014874																						
SHEET 1 OF 1																						



SPECIFICATIONS	
CONTACT CARRIER MATERIAL	NYLON or PBT
CONTACT MATERIAL/PLATING	BRASS/GOLD
COUPLING NUT MATERIAL/PLATING	BRASS/NICKEL
MOLDED HEAD MATERIAL/COLOR	TPU/BLACK
RATED CURRENT [A]	3.0 A
RATED VOLTAGE [V]	150 V
OUTER JACKET MATERIAL/COLOR	PVC/YELLOW
CONDUCTOR INSULATION MATERIAL	PVC
NUMBER OF CONDUCTORS [AWG]	25x22 AWG
DRAIN/SHIELD	22 AWG/ALUM.-POLYESTER FOIL
PROTECTION CLASS	IEC IP67
TEMPERATURE	-40°C TO +105°C (-40°F TO +221°F)

1 = BROWN	14 = WHITE
2 = WHITE/GREY	13 = BLACK
3 = BLUE/GREY	12 = BROWN/RED
4 = BROWN/GREY	11 = BLUE/RED
5 = BLACK/YELLOW	10 = WHITE/RED
6 = WHITE/YELLOW	9 = BLACK/RED
7 = BLUE/YELLOW	8 = BROWN/YELLOW
8 = BROWN/YELLOW	7 = BLUE/GREEN
9 = BROWN/RED	6 = WHITE/GREEN
10 = WHITE/RED	5 = WHITE/GREEN
11 = BLUE/RED	4 = WHITE/GREEN
12 = BROWN/RED	3 = BLUE/GREEN
13 = BLACK/RED	2 = WHITE/GREEN
14 = WHITE/RED	1 = BLUE
15 = BLUE	16 = BLACK/GREY
16 = BLACK/GREY	17 = BROWN/ORANGE
17 = BROWN/ORANGE	18 = WHITE/ORANGE
18 = WHITE/ORANGE	19 = BLACK/ORANGE
19 = BLACK/ORANGE	20 = BLACK/GREEN
20 = BLACK/GREEN	21 = WHITE/GREEN
21 = WHITE/GREEN	22 = BLUE/GREEN
22 = BLUE/GREEN	23 = BROWN/GREEN
23 = BROWN/GREEN	24 = BLUE/ORANGE
24 = BLUE/ORANGE	25 = GREEN/YELLOW
25 = GREEN/YELLOW	26 = N/C
26 = N/C	

FEMALE END VIEW

X-ON Electronics

Largest Supplier of Electrical and Electronic Components

Click to view similar products for [turck](#) manufacturer:

Other Similar products are found below :

[BI10-M30-AP6X-H1141](#) [BI2-G12-AZ33X-7M](#) [BS4151-0/13.5](#) [NI12U-G18-ADZ30X2-B1331](#) [NI12U-M18-AN4X](#) [BI1.5-G08K-AN6X](#) [BI5-G18-AZ3X](#) [BI5-G18-AZ3X-B1331-50MM](#) [VB20](#) [B 5143-0](#) [BI 2-EG08K-AP6X-V1131](#) [BMWS 8151-0/9](#) [BI30U-CK40-AP6X2-H1141](#) [NI12U-M18-AP6X-H1141](#) [NI4U-EG08-AN6X-H1341](#) [NI5-G12-AP6X-H1141](#) [NI14-G18-ADZ30X2](#) [BC10-QF5.5-RN6X2](#) [PKG 3M-4/S90](#) [B1N360V-Q20L60-2LU3-H1151](#) [FKFD 4.5](#) [RK40-2M](#) [BI5-G18-AP6X-B1441/S34](#) [RK 4T-10](#) [BI4-M12-AN6X-H1141](#) [NI3-EG08K-Y1-H1341](#) [BCF5-S18-RP4X/S90](#) [BI5-M18-Y0X-H1141](#) [NI35U-CK40-ADZ30X2-B3131](#) [W/BS4](#) [WK 4T-2](#) [IM1-22EX-T](#) [NI12U-MT18-AP4X-H1141](#) [BI1.5-EG08-AP6X-H1341](#) [BC 5-Q08-AP6X2-V1131](#) [BC5-S18-Y1X](#) [CT 2-A30/M](#) [C10-T13X/024VDC](#) [FDN20-4S-4XSG-E](#) [FKV-CC](#) [FSFD 8](#) [NI4U-EG08-RP6X-V1131](#) [CMBS 8141-0](#) [FEN20-16DXP](#) [BI10-M30-AN6X-H1141](#) [VB80-P7X9-8/CS12](#) [FKFD 8](#) [RI360P0-QR24M0-INCRX2-H1181](#) [PKW 3M-6](#) [NI8-M18E-VN4X](#) [WK 4.5T-2/S618](#)