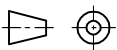
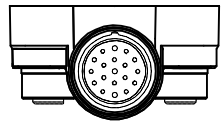
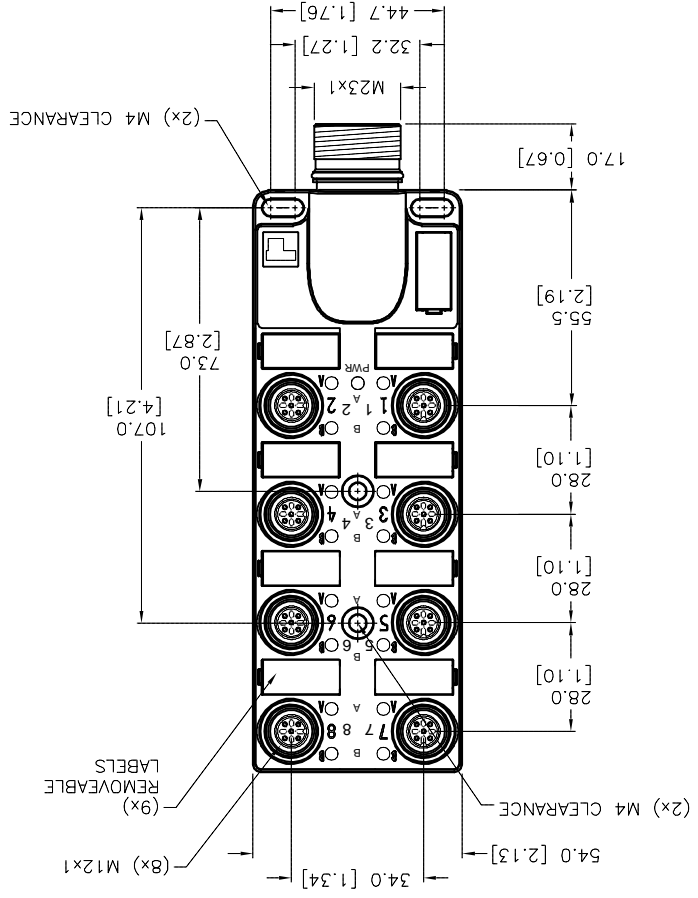
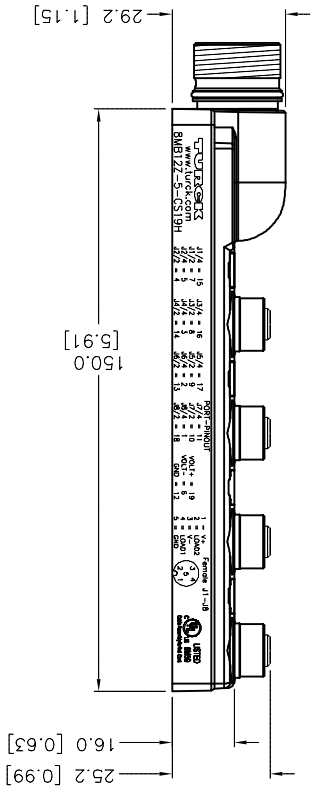
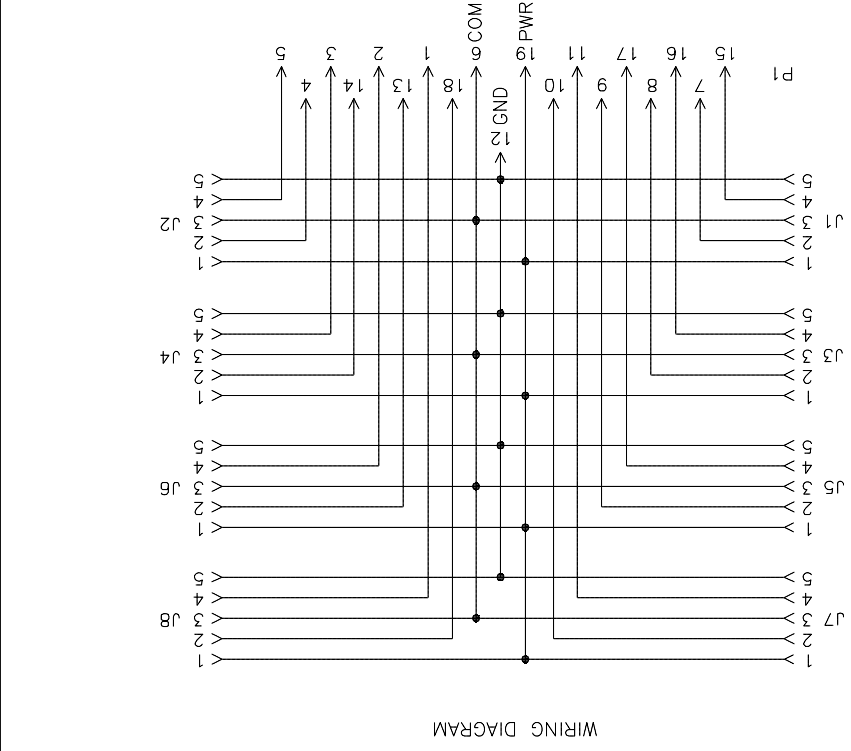


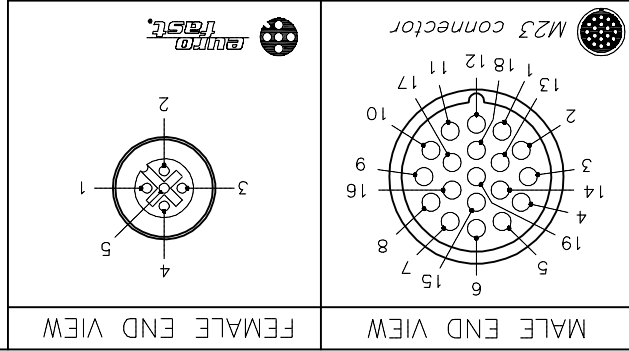
REV	H	DESCRIPTION	TV	BY	05/08/17	DATE	57053	ECO NO.
H		UPDATED VOLTAGE AND CURRENT PER ECO						
FINISH		SEE SPECIFICATIONS						
MATERIAL		SEE SPECIFICATIONS						
3RD ANGLE PROJECTION								
RELATED DOCUMENTS		1. THIS DRAWING IS CONFIDENTIAL AND THE PROPERTY OF TURCK INC. USE OF THIS DOCUMENT WITHOUT WRITTEN PERMISSION IS PROHIBITED. 2. ALL DIMENSIONS DISPLAYED ON THIS DRAWING ARE FOR REFERENCE ONLY. 3. CONTACT TURCK FOR MORE INFORMATION. 4. MILLIMETER [INCH]						
DRFT		RDS						
APVD		SCALE 1=2						
UNIT OF MEASUREMENT		MILLIMETER [INCH]						
IDENTIFICATION NO.		8MB12Z-5-CS19H						
REV		H						
SHEET 1 OF 1		FILE: E8033448						

TURCK
 3000 CAMPUS DRIVE
 MINNEAPOLIS, MN 55441
 1-800-544-7769
 (763) 553-7300
 (763) 553-0708 fax
 www.turck.us

SOURCE DRAWING - FOR REFERENCE ONLY



SPECIFICATIONS	
HOUSING MATERIAL/COLOR	NYLON/BLACK
RECEPTACLE MATERIAL/PLATING	BRASS/NICKEL
CONTACT CARRIERS	NYLON
CONTACT CARRIER MATERIAL/PLATING	BRASS/GOLD
O-RING MATERIAL	NBR (P1), VITON (J1-J8)
OPERATING VOLTAGE	60 VDC
OPERATING CURRENT	2.0 AMPS/SIGNAL, 9.0 AMPS TOTAL
PROTECTION CLASS	IP67, IP69K; ONLY WHEN ALL RECEPTACLES ARE COVERED WITH PLUGS OR CONNECTED
OPERATING TEMPERATURE	-40°C to +85°C (-40°F to +185°F)



X-ON Electronics

Largest Supplier of Electrical and Electronic Components

Click to view similar products for [turck](#) manufacturer:

Other Similar products are found below :

[BI10-M30-AP6X-H1141](#) [BI2-G12-AZ33X-7M](#) [BS4151-0/13.5](#) [NI12U-G18-ADZ30X2-B1331](#) [NI12U-M18-AN4X](#) [BI1.5-G08K-AN6X](#) [BI5-G18-AZ3X](#) [BI5-G18-AZ3X-B1331-50MM](#) [VB20](#) [B 5143-0](#) [BI 2-EG08K-AP6X-V1131](#) [BMWS 8151-0/9](#) [BI30U-CK40-AP6X2-H1141](#) [NI12U-M18-AP6X-H1141](#) [NI4U-EG08-AN6X-H1341](#) [NI5-G12-AP6X-H1141](#) [NI14-G18-ADZ30X2](#) [BC10-QF5.5-RN6X2](#) [PKG 3M-4/S90](#) [B1N360V-Q20L60-2LU3-H1151](#) [FKFD 4.5](#) [RK40-2M](#) [BI5-G18-AP6X-B1441/S34](#) [RK 4T-10](#) [BI4-M12-AN6X-H1141](#) [NI3-EG08K-Y1-H1341](#) [BCF5-S18-RP4X/S90](#) [BI5-M18-Y0X-H1141](#) [NI35U-CK40-ADZ30X2-B3131](#) [W/BS4](#) [WK 4T-2](#) [IM1-22EX-T](#) [NI12U-MT18-AP4X-H1141](#) [BI1.5-EG08-AP6X-H1341](#) [BC 5-Q08-AP6X2-V1131](#) [BC5-S18-Y1X](#) [CT 2-A30/M](#) [C10-T13X/024VDC](#) [FDN20-4S-4XSG-E](#) [FKV-CC](#) [FSFD 8](#) [NI4U-EG08-RP6X-V1131](#) [CMBS 8141-0](#) [FEN20-16DXP](#) [BI10-M30-AN6X-H1141](#) [VB80-P7X9-8/CS12](#) [FKFD 8](#) [RI360P0-QR24M0-INCRX2-H1181](#) [PKW 3M-6](#) [NI8-M18E-VN4X](#) [WK 4.5T-2/S618](#)