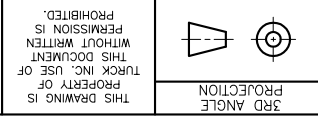


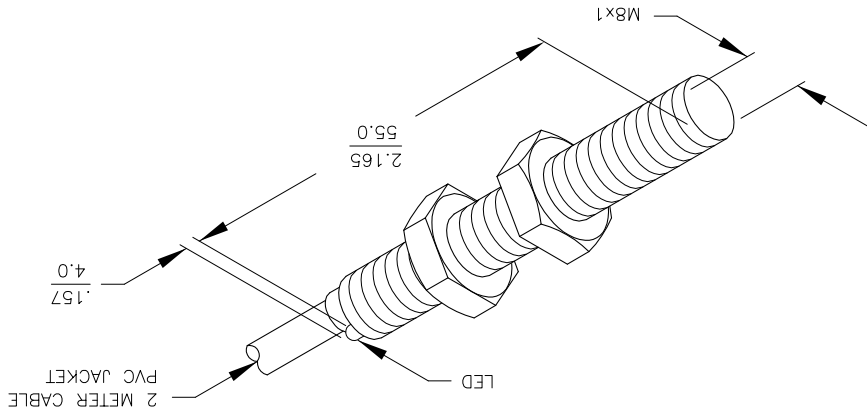
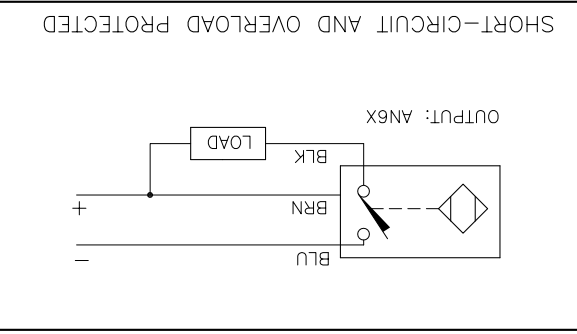
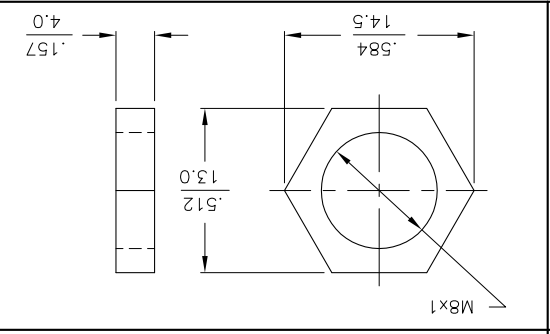
REV	DESCRIPTION	BY	DATE	ECO NO.
B	UPDATE TO NEW TITLE BLOCK	RDS	11/04/02	5504
FINISH COPPER/NICKEL/ CHROME PLATING				
MATERIAL BRASS BARREL				
1. 2. 3. 4.				
RELATED DOCUMENTS				
3RD ANGLE PROJECTION				
THIS DRAWING IS PROPERTY OF TURCK INC. USE OF THIS DOCUMENT WITHOUT WRITTEN PERMISSION IS PROHIBITED.				
DRAFT GMB DATE 4/22/88				
DSGN SCALE NONE UNIT OF MEASUREMENT				
IDENTIFICATION NO. S4602100				
FILE: S4602100 SHEET 1 OF 1				

3000 CAMPUS DRIVE  
 MINNEAPOLIS, MN 55441  
 1-800-544-7769  
 (763) 553-7300  
 (763) 553-0708 fax  
 turck.com  
**TURCK INC**  
 High Technology Sensors and Automation Controls



ALL DIMENSIONS DISPLAYED ON THIS DRAWING ARE FOR REFERENCE ONLY  
 CONTACT TURCK FOR MORE INFORMATION

SPECIFICATIONS	
OPERATING VOLTAGE	10-30 VDC
RIPPLE	≤ 10%
DIFFERENTIAL TRAVEL (HYSTERESIS)	1-15% (5% TYPICAL)
VOLTAGE DROP ACROSS CONDUCTING SENSOR	≤ 1.8 V at 150 mA
OUTPUT FUNCTION	NORMALLY OPEN 3-WIRE DC SELF-CONTAINED
TTL COMPATIBLE	NO
SHORT-CIRCUIT PROTECTED	YES
TRIGGER CURRENT FOR OVERLOAD PROTECTION	≥ 170 mA
CONTINUOUS LOAD CURRENT	≤ 150 mA
LEAKAGE (OFF-STATE) CURRENT	< 10µA
NO-LOAD CURRENT	5.5-9.5 mA
TIME DELAY BEFORE AVAILABILITY	≤ 8 ms
POWER-ON EFFECT PROTECTION	INCORPORATED
REVERSE POLARITY PROTECTION	INCORPORATED
WIRE-BREAK PROTECTION	INCORPORATED
PROTECTION AGAINST TRANSIENTS	1 kV, 0.1 ms, 1 kΩ
OPERATING TEMPERATURE	-25°C to +70°C (-13°F to +158°F)
ENCLOSURE	MEETS NEMA 1, 3, 4, 6, 13 AND IEC IP67
SHOCK	30 g, 11 ms
VIBRATION	55 Hz, 1 mm AMPITUDE (IN ALL 3 PLANES)
LED FUNCTION	RED: OUTPUT ENERGIZED
SENSING RANGE	2 mm = .079" (NOMINAL)
SWITCHING FREQUENCY	2000 Hz
REPEATABILITY	≤ 2% of NOMINAL SENSING RANGE
SHIELDED	YES



## X-ON Electronics

Largest Supplier of Electrical and Electronic Components

*Click to view similar products for [turck](#) manufacturer:*

Other Similar products are found below :

[BI10-M30-AP6X-H1141](#) [BI2-G12-AZ33X-7M](#) [BS4151-0/13.5](#) [NI12U-G18-ADZ30X2-B1331](#) [NI12U-M18-AN4X](#) [BI1.5-G08K-AN6X](#) [BI5-G18-AZ3X](#) [BI5-G18-AZ3X-B1331-50MM](#) [VB20](#) [B 5143-0](#) [BI 2-EG08K-AP6X-V1131](#) [BMWS 8151-0/9](#) [BI30U-CK40-AP6X2-H1141](#) [NI12U-M18-AP6X-H1141](#) [NI4U-EG08-AN6X-H1341](#) [NI5-G12-AP6X-H1141](#) [NI14-G18-ADZ30X2](#) [BC10-QF5.5-RN6X2](#) [PKG 3M-4/S90](#) [B1N360V-Q20L60-2LU3-H1151](#) [FKFD 4.5](#) [RK40-2M](#) [BI5-G18-AP6X-B1441/S34](#) [RK 4T-10](#) [BI4-M12-AN6X-H1141](#) [NI3-EG08K-Y1-H1341](#) [BCF5-S18-RP4X/S90](#) [BI5-M18-Y0X-H1141](#) [NI35U-CK40-ADZ30X2-B3131](#) [W/BS4](#) [WK 4T-2](#) [IM1-22EX-T](#) [NI12U-MT18-AP4X-H1141](#) [BI1.5-EG08-AP6X-H1341](#) [BC 5-Q08-AP6X2-V1131](#) [BC5-S18-Y1X](#) [CT 2-A30/M](#) [C10-T13X/024VDC](#) [FDN20-4S-4XSG-E](#) [FKV-CC](#) [FSFD 8](#) [NI4U-EG08-RP6X-V1131](#) [CMBS 8141-0](#) [FEN20-16DXP](#) [BI10-M30-AN6X-H1141](#) [VB80-P7X9-8/CS12](#) [FKFD 8](#) [RI360P0-QR24M0-INCRX2-H1181](#) [PKW 3M-6](#) [NI8-M18E-VN4X](#) [WK 4.5T-2/S618](#)